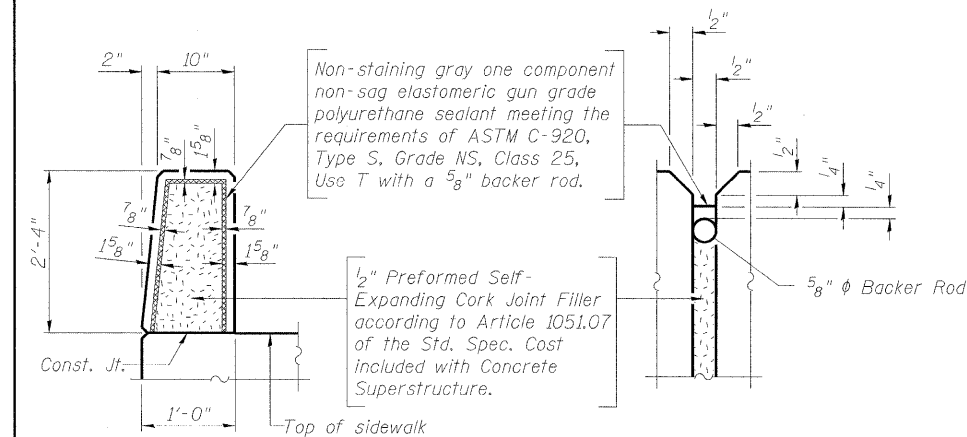
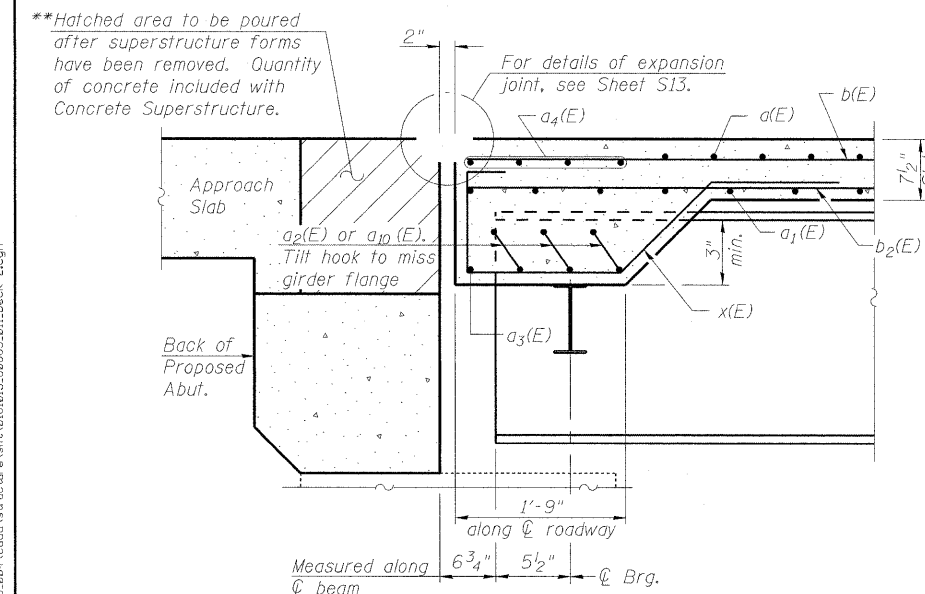


INSIDE ELEVATION OF PARAPET AND SIDEWALK
(Looking West)



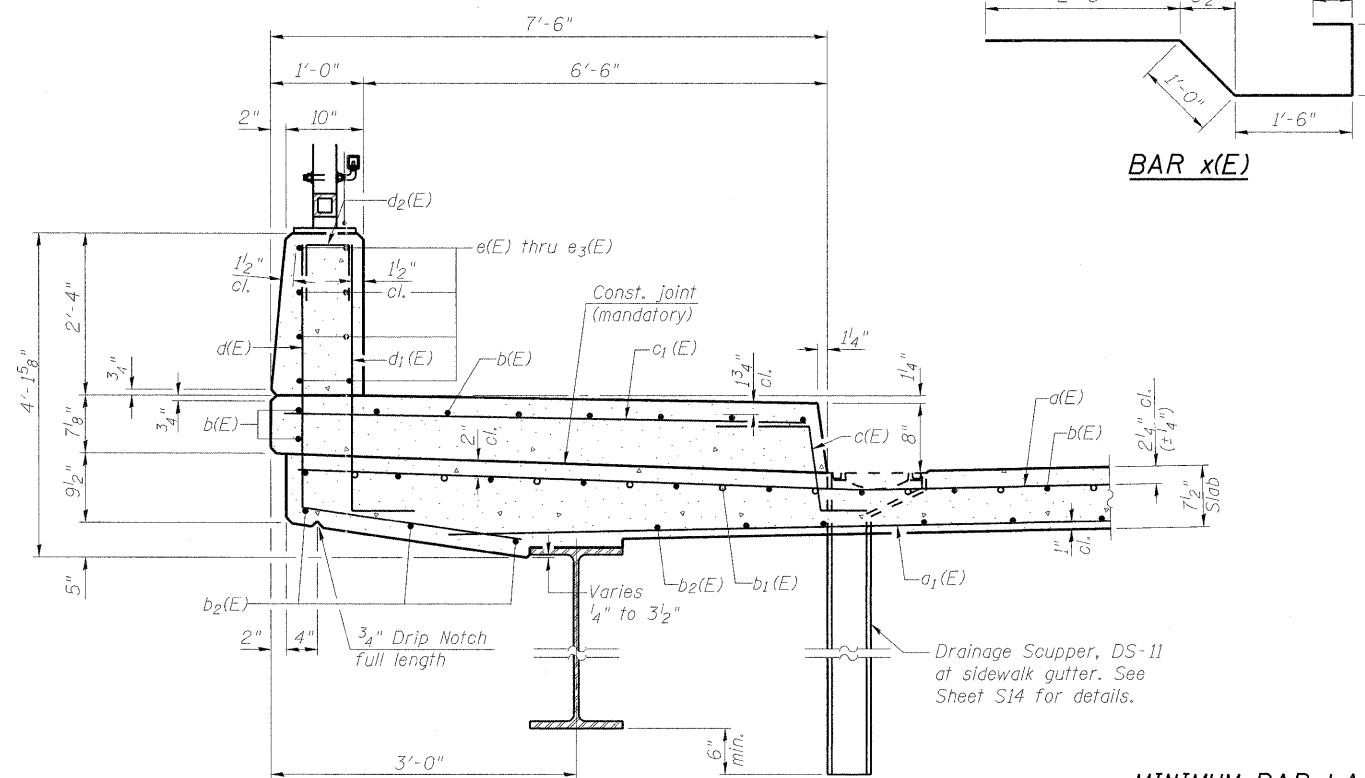
PARAPET JOINT DETAILS



SECTION A-A

(North Abutment shown, Deck detail at South Abutment similar. See Sheet S17 for Vaulted Approach Span detail on South Abutment backwall.)

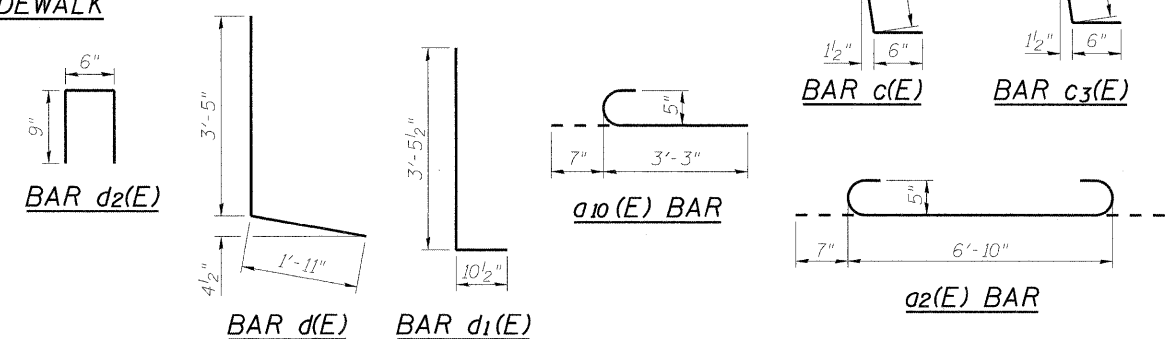
**Note: Hatched area is at North Abutment only.



SECTION THRU SIDEWALK

MINIMUM BAR LAP

#5 bar = 2'-7"



SUPERSTRUCTURE BILL OF MATERIAL

Bar	No.	Size	Length	Shape
a(E)	632	#5	34'-0"	—
a1(E)	456	#5	33'-4"	—
a2(E)	48	#5	8'-0"	U
a3(E)	4	#5	31'-11"	—
a4(E)	16	#5	35'-0"	—
a5(E)	96	#5	1'-6"	—
a6(E)	16	#5	2'-0"	—
a10(E)	12	#5	3'-10"	U
b(E)	651	#5	26'-8"	—
b1(E)	136	#6	27'-2"	—
b2(E)	414	#5	30'-8"	—
c(E)	344	#5	2'-4"	L
c1(E)	344	#5	7'-0"	—
c2(E)	172	#5	3'-0"	—
c3(E)	344	#5	2'-1"	L
d(E)	344	#4	5'-4"	L
d1(E)	344	#6	4'-4"	L
d2(E)	72	#4	2'-0"	n
e(E)	64	#4	17'-2"	—
e1(E)	64	#4	17'-5"	—
e2(E)	16	#4	14'-6"	—
e3(E)	16	#4	14'-9"	—
x(E)	140	#5	6'-5"	U
Reinforcement Bars, Epoxy Coated			Pound	87,530
Concrete Superstructure			Cu. Yds.	407.1

Bars indicated thus 9x7-#5 etc. indicates 9 lines of bars with 7 lengths per line.

FILE NAME = g:\p\sect\2082155.B0A\sect\structure\sh\1\0161015_60863_011.Dwg 2.dgn

	USER NAME = Zsagerb	DESIGNED - TWO	REVISED -	STATE OF ILLINOIS DEPARTMENT OF TRANSPORTATION	PARAPET AND SIDEWALK ELEVATION AND DETAILS STRUCTURE NO. 016-1015	F.A.I. RTE. = 57	SECTION = 1112.1B	COUNTY = COOK	TOTAL SHEETS = 75	SHEET NO. = 38
	PLOT SCALE = N/A	CHECKED - BHS	REVISED -			CONTRACT NO. = 60863				
	PLOT DATE = 8/17/2011	DRAWN - TWO	REVISED -			FED. ROAD DIST. NO. 1	ILLINOIS FED. AID PROJECT			
	CHECKED - GSP	REVISED -	SHEET NO. S11 OF 36 SHEETS							