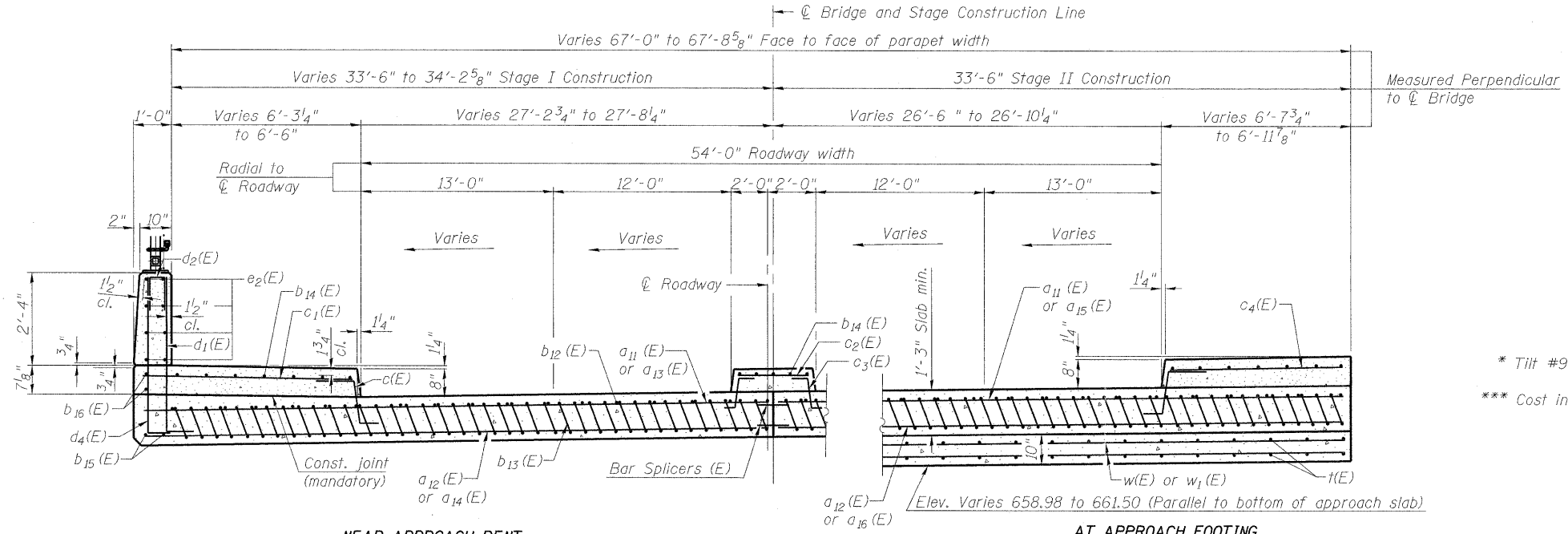
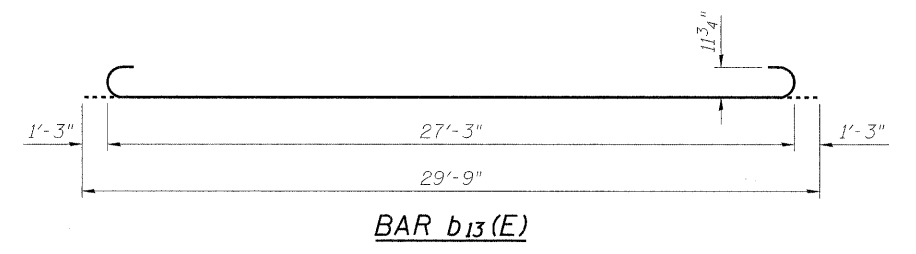


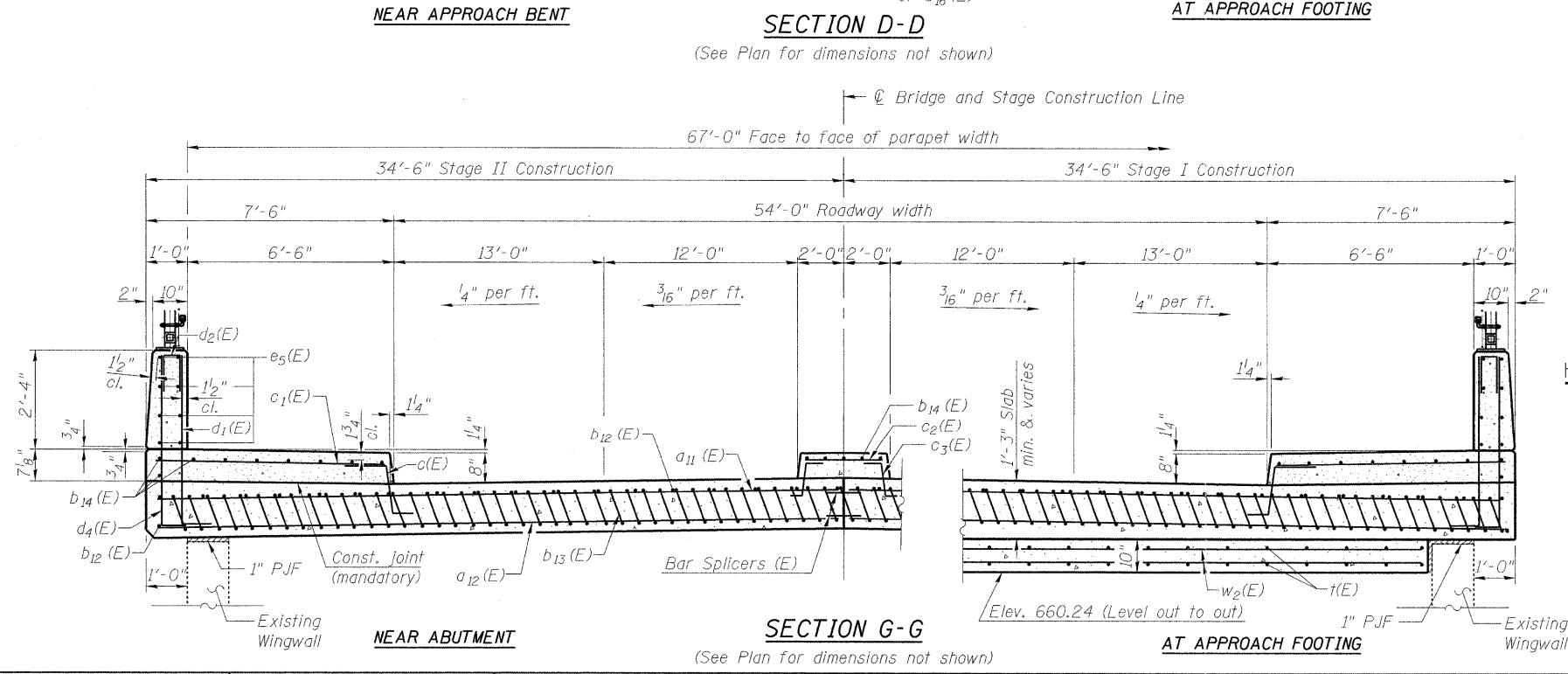
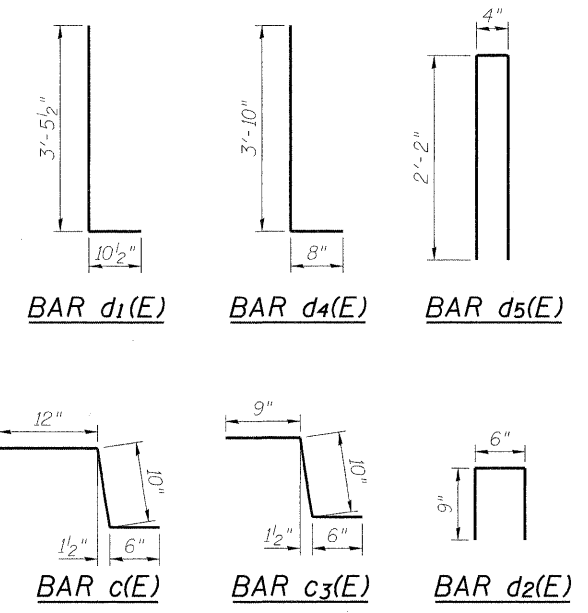
Notes:
 See Sheet S19 or S20 for Detail A.
 Approach slab and parapet concrete shall be paid for as Concrete Superstructure.
 Approach footing concrete shall be paid for as Concrete Structures.
 Reinforcement shall be paid for as Reinforcement Bars, Epoxy Coated.
 For $v_1(E)$ bar details, see Sheet S18.
 The approach footing maximum applied service bearing pressure (Q_{max}) = 2.0 ksf.
 For bar splicer details, see Sheet S30.
 Cost of excavation for approach footing included with Concrete Structures.
 For Porous Granular Embankment (Special) and drainage treatment details, see Sheet S2.



* Tilt #9 $b_{13}(E)$ bars as required to maintain clearance.
 *** Cost included with Concrete Superstructure.

**APPROACH SLABS
 BILL OF MATERIAL**

Bar	No.	Size	Length	Shape
$a_{11}(E)$	76	#4	35'-0"	—
$a_{12}(E)$	138	#5	35'-0"	—
$a_{13}(E)$	13	#4	34'-0"	—
$a_{14}(E)$	23	#5	34'-0"	—
$a_{15}(E)$	13	#4	34'-4"	—
$a_{16}(E)$	23	#5	34'-4"	—
$b_{12}(E)$	112	#4	29'-8"	—
$b_{13}(E)$	325	#9	29'-9"	U
$b_{14}(E)$	42	#5	29'-8"	—
$b_{15}(E)$	4	#4	14'-6"	—
$b_{16}(E)$	4	#5	14'-6"	—
$c(E)$	124	#5	2'-4"	L
$c_1(E)$	94	#5	7'-0"	—
$c_2(E)$	62	#5	3'-6"	—
$c_3(E)$	124	#5	2'-1"	L
$c_4(E)$	32	#5	6'-0"	—
$d_1(E)$	94	#6	4'-4"	L
$d_2(E)$	24	#4	2'-0"	U
$d_4(E)$	94	#4	4'-6"	L
$d_5(E)$	8	#4	4'-8"	U
$e_2(E)$	16	#4	14'-6"	—
$e_5(E)$	16	#4	29'-8"	—
$e_6(E)$	12	#4	3'-8"	—
$t(E)$	270	#4	9'-10"	—
$w(E)$	40	#5	35'-0"	—
$w_1(E)$	40	#5	34'-0"	—
$w_2(E)$	80	#5	33'-0"	—
Concrete Superstructure		Cu. Yd.	239.0	
Concrete Structures		Cu. Yd.	42.1	
Reinforcement Bars, Epoxy Coated		Pound	56,090	



FILE NAME = g:\projects\2102195_004\cadd\structure\1112\1112_016\1015_60863.dgn