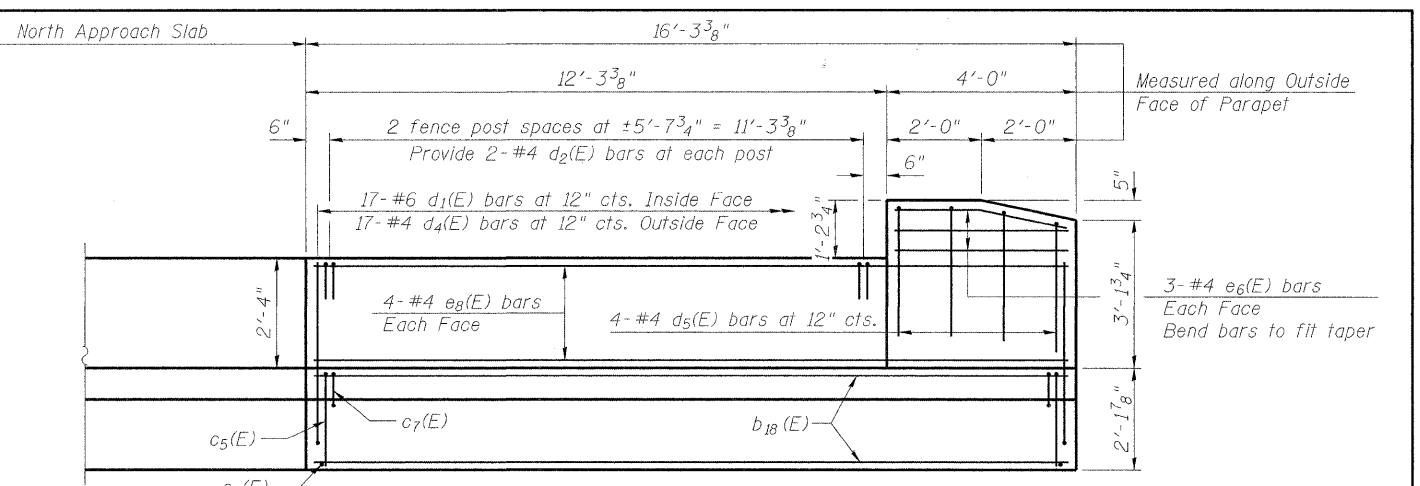
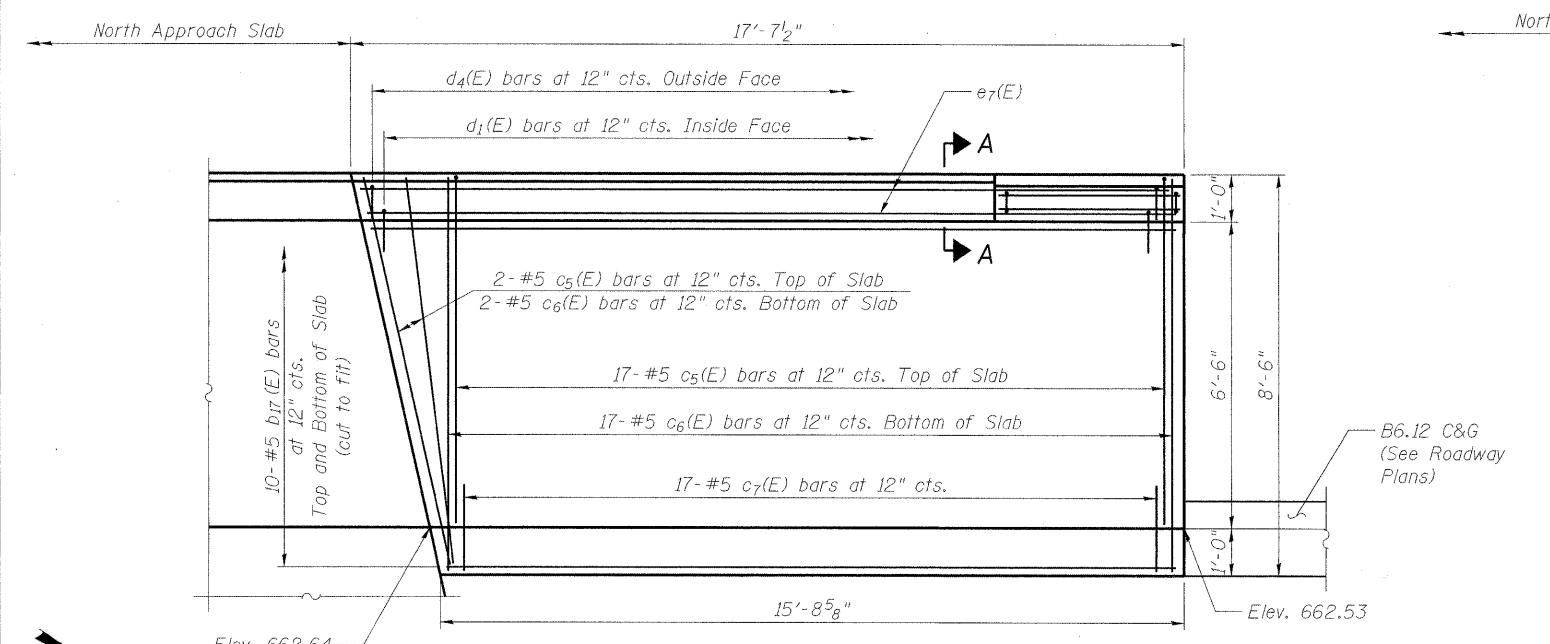


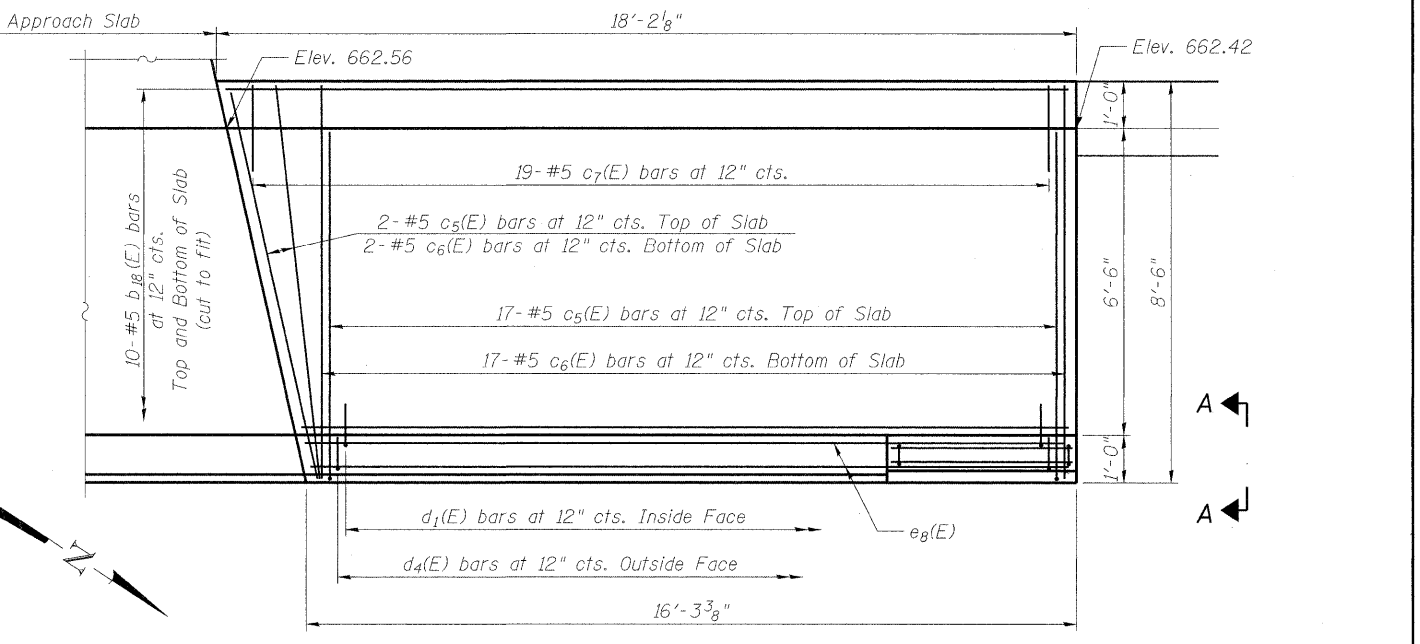
**NORTHWEST MOMENT SLAB PARAPET ELEVATION**



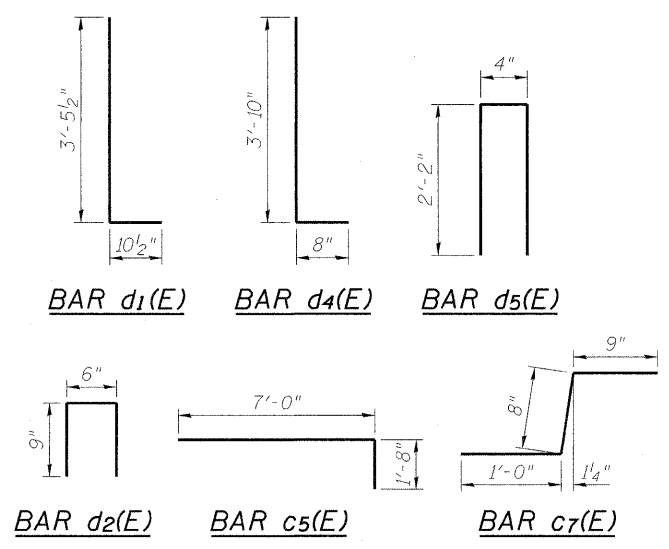
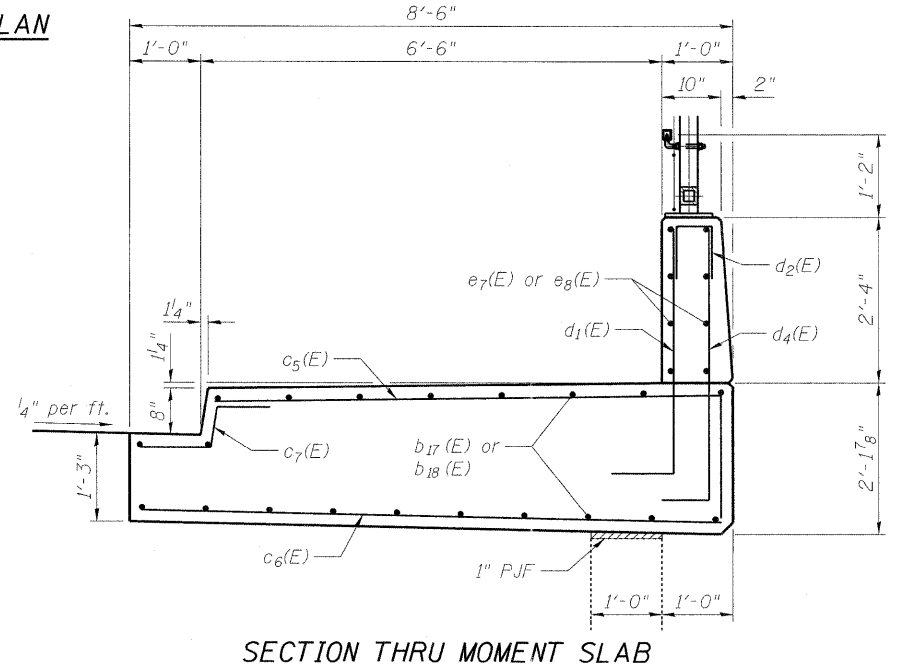
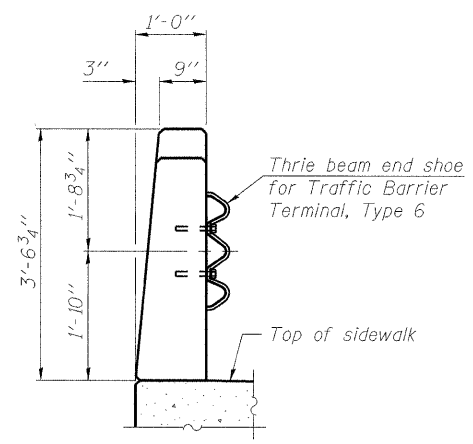
**NORTHEAST MOMENT SLAB PARAPET ELEVATION**



**NORTHWEST MOMENT SLAB PLAN**



**NORTHEAST MOMENT SLAB PLAN**



**MOMENT SLABS  
BILL OF MATERIAL**

Bar	No.	Size	Length	Shape	
b <sub>17</sub> (E)	20	#5	17'-3"	—	
b <sub>18</sub> (E)	20	#5	17'-10"	—	
c <sub>5</sub> (E)	38	#5	8'-8"	—	
c <sub>6</sub> (E)	38	#5	8'-0"	—	
c <sub>7</sub> (E)	36	#5	2'-5"	—	
d <sub>1</sub> (E)	35	#6	4'-4"	L	
d <sub>2</sub> (E)	12	#4	2'-0"	n	
d <sub>4</sub> (E)	35	#4	4'-6"	L	
d <sub>5</sub> (E)	8	#4	4'-8"	n	
e <sub>6</sub> (E)	12	#4	3'-8"	—	
e <sub>7</sub> (E)	8	#4	17'-0"	—	
e <sub>8</sub> (E)	8	#4	15'-11"	—	
Concrete Superstructure				Cu. Yd.	23.6
Reinforcement Bars, Epoxy Coated				Pound	2,060

FILE NAME = g:\Vpro\project\2102155\_004\cadd\structure\sh\11015\_004\B63\_022\_Moment\_Slab.dgn



USER NAME = Zsagarb  
PLOT SCALE = N/A  
PLOT DATE = 6/5/2011

DESIGNED - TWO  
CHECKED - BHS  
DRAWN - TWO  
CHECKED - GSP

REVISED -  
REVISED -  
REVISED -  
REVISED -

**STATE OF ILLINOIS  
DEPARTMENT OF TRANSPORTATION**

**SIDEWALK MOMENT SLABS  
STRUCTURE NO. 016-1015**  
SHEET NO. S22 OF 36 SHEETS

F.A.I. RTE.	SECTION	COUNTY	TOTAL SHEETS	SHEET NO.
57	1112.1B	COOK	75	49
				CONTRACT NO. 60863
FED. ROAD DIST. NO. 1 ILLINOIS FED. AID PROJECT				