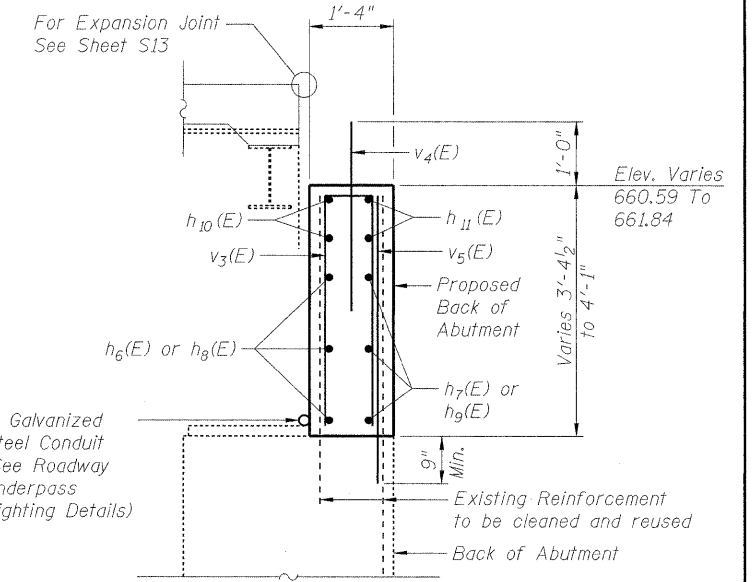
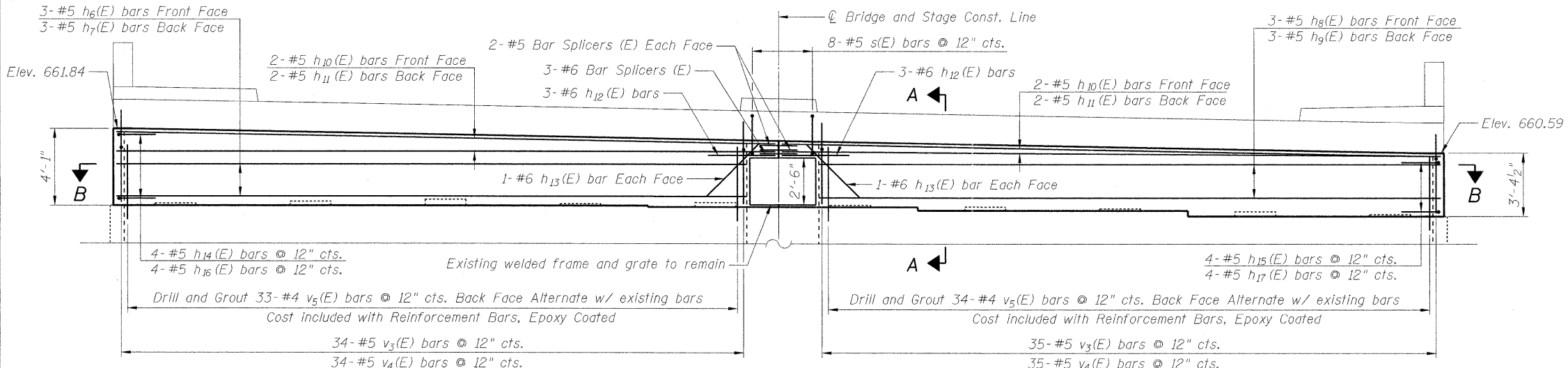


PLAN

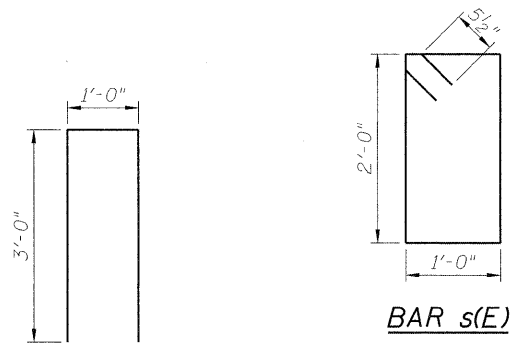
*Location of welded frame and grate to be verified in the field prior to ordering h₆(E) thru h₉(E) bars.



SECTION A-A

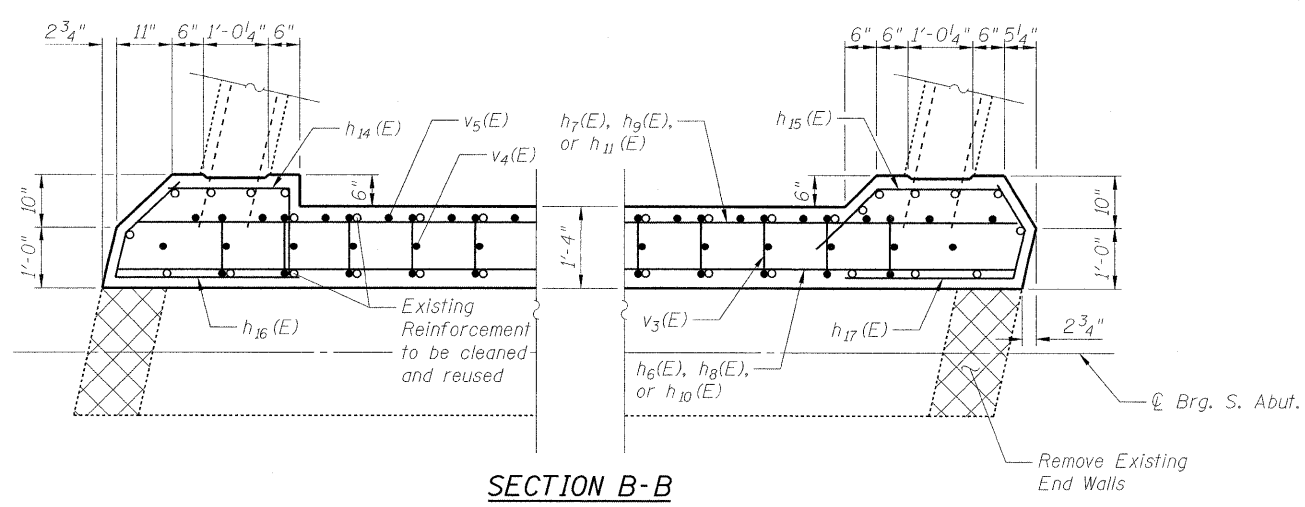


ELEVATION

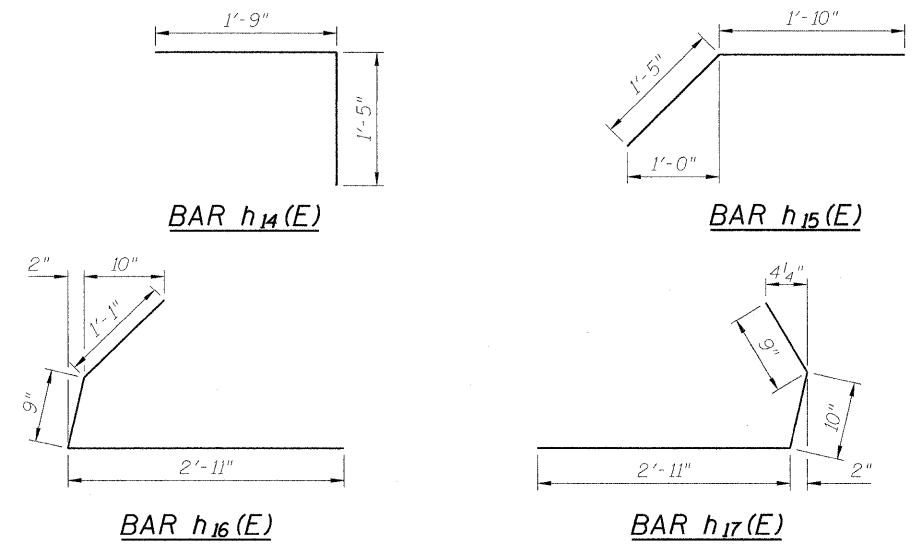


SOUTH ABUTMENT BILL OF MATERIAL

Bar	No.	Size	Length	Shape
h ₆ (E)	3	#5	33'-2"	—
h ₇ (E)	3	#5	32'-9"	—
h ₈ (E)	3	#5	33'-7"	—
h ₉ (E)	3	#5	33'-9"	—
h ₁₀ (E)	4	#5	35'-2"	—
h ₁₁ (E)	4	#5	35'-0"	—
h ₁₂ (E)	6	#6	6'-0"	—
h ₁₃ (E)	4	#6	4'-0"	—
h ₁₄ (E)	5	#5	3'-2"	└
h ₁₅ (E)	4	#5	3'-3"	└
h ₁₆ (E)	5	#5	4'-9"	└
h ₁₇ (E)	4	#5	4'-6"	└
s(E)	8	#5	6'-11"	□
v ₃ (E)	69	#5	7'-0"	—
v ₄ (E)	69	#5	3'-0"	—
v ₅ (E)	67	#4	3'-11"	—
Reinforcement Bars, Epoxy Coated		Pound	1,810	
Concrete Structures		Cu. Yd.	12.9	



SECTION B-B



BAR h₁₄(E)

BAR h₁₅(E)

BAR h₁₆(E)

BAR h₁₇(E)

FILE NAME = g:\project\2102155_004\cadd\structure\aha\016\015_008663_026.5 Abutment 2.dgn



USER NAME = zsayerb
 PLOT SCALE = N/A
 PLOT DATE = 8/5/2011

DESIGNED - TWO
 CHECKED - BHS
 DRAWN - TWO
 CHECKED - GSP

REVISED -
 REVISED -
 REVISED -
 REVISED -

**STATE OF ILLINOIS
 DEPARTMENT OF TRANSPORTATION**

**SOUTH ABUTMENT BACKWALL RECONSTRUCTION
 STRUCTURE NO. 016-1015**

SHEET NO. 526 OF 36 SHEETS

F.A.I. RTE.	SECTION	COUNTY	TOTAL SHEETS	SHEET NO.
57	1112.1B	COOK	75	53
CONTRACT NO. 60863				

FED. ROAD DIST. NO. 1 ILLINOIS FED. AID PROJECT