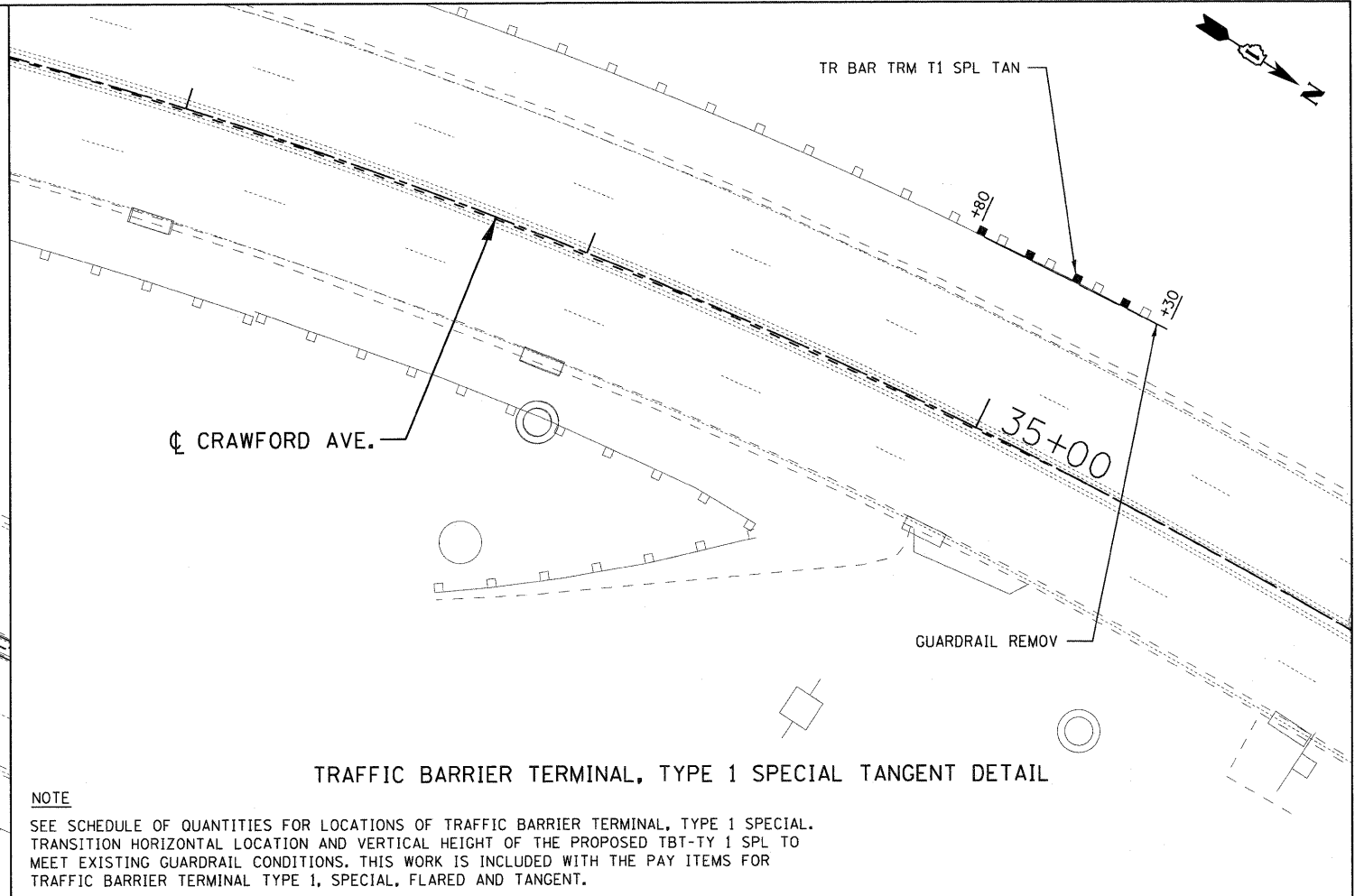


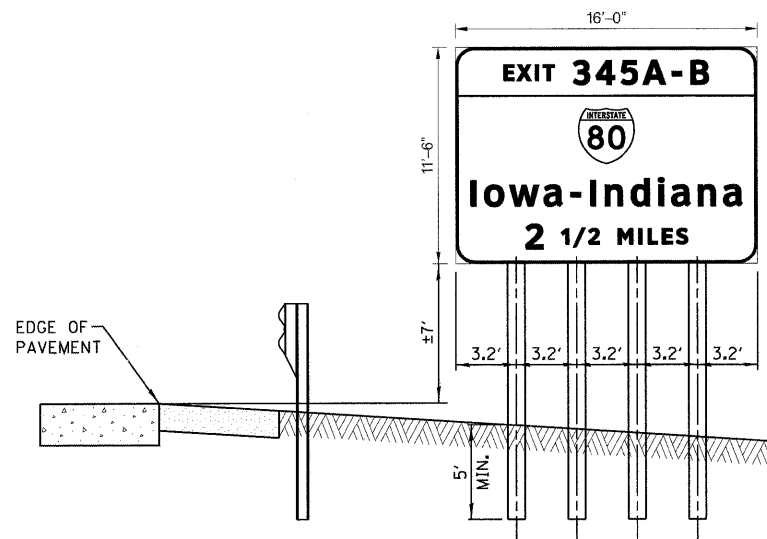
TRAFFIC BARRIER TERMINAL, TYPE 1 SPECIAL FLARED DETAIL



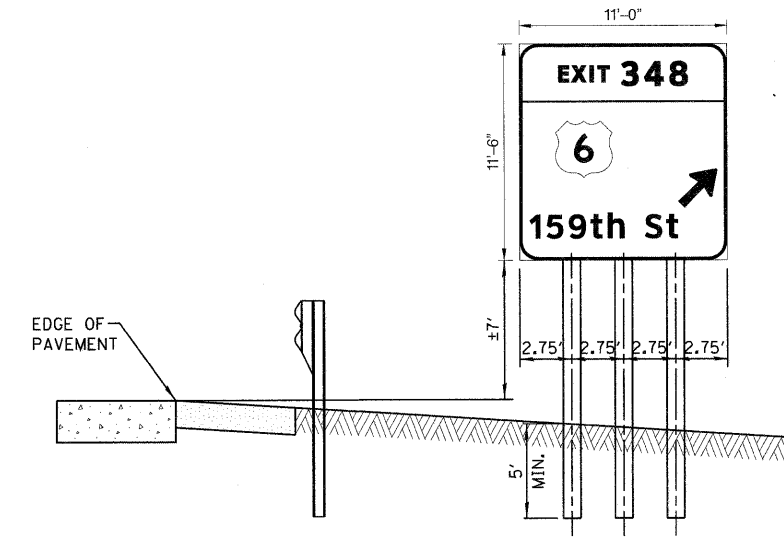
TRAFFIC BARRIER TERMINAL, TYPE 1 SPECIAL TANGENT DETAIL

**NOTE**

SEE SCHEDULE OF QUANTITIES FOR LOCATIONS OF TRAFFIC BARRIER TERMINAL, TYPE 1 SPECIAL. TRANSITION HORIZONTAL LOCATION AND VERTICAL HEIGHT OF THE PROPOSED TBT-TY 1 SPL TO MEET EXISTING GUARDRAIL CONDITIONS. THIS WORK IS INCLUDED WITH THE PAY ITEMS FOR TRAFFIC BARRIER TERMINAL TYPE 1, SPECIAL, FLARED AND TANGENT.



TEMPORARY SIGN PANEL ASSEMBLY DETAIL  
APPROXIMATE I-57 STATION 151+00  
(LOOKING NORTH)



TEMPORARY SIGN PANEL ASSEMBLY DETAIL  
APPROXIMATE I-57 STATION 149+00  
(LOOKING SOUTH)

FILE NAME = G:\projects\2102195\_004\CADD\Civil\Sh\A\1168863-59\site-Road\plan121.dgn



|                           |                 |           |
|---------------------------|-----------------|-----------|
| USER NAME = zptemd        | DESIGNED - DJB  | REVISED - |
| PLOT SCALE = 20.00' / IN. | DRAWN - ENTRAN  | REVISED - |
| PLOT DATE = 7/6/2011      | CHECKED - TMH   | REVISED - |
|                           | DATE - 06/15/11 | REVISED - |

**STATE OF ILLINOIS  
DEPARTMENT OF TRANSPORTATION**

|   |           |           |              |
|---|-----------|-----------|--------------|
| <b>FAI ROUTE 57 (INTERSTATE 57) AT FAU ROUTE 3778 (CRAWFORD AVENUE)</b> |           |           |              |
| <b>ROADWAY DETAILS</b>  |           |           |              |
| SCALE: 20.00' / IN.   | SHEET NO. | OF SHEETS | STA. TO STA. |

|   |                 |             |                 |              |
|---|-----------------|-------------|-----------------|--------------|
| F.A.I. RTE. 57                                  | SECTION 1112.1B | COUNTY COOK | TOTAL SHEETS 75 | SHEET NO. 64 |
| CONTRACT NO. 60863                              |                 |             |                 |              |
| FED. ROAD DIST. NO. 1 ILLINOIS FED. AID PROJECT |                 |             |                 |              |