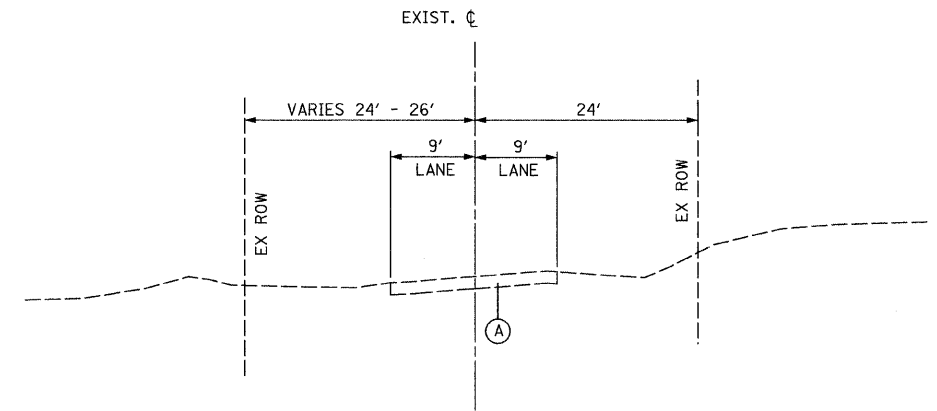
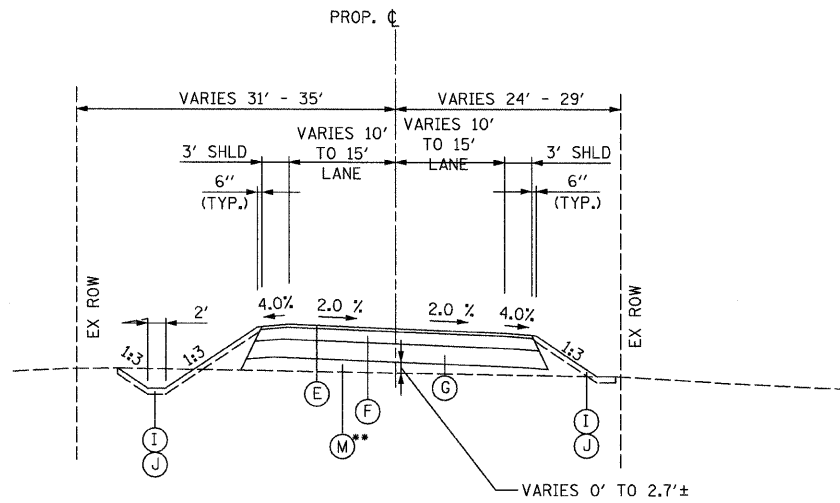


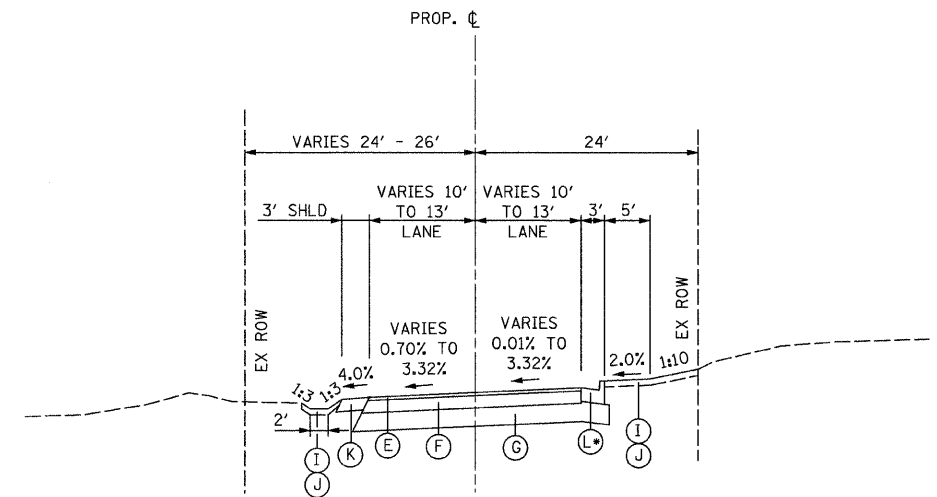
EXISTING BROOKHILL RD.
STA. 507+00.00 TO STA. 509+27.93



EXISTING JANAS CT.
STA. 498+50.00 TO STA. 499+16.88



PROPOSED BROOKHILL RD.
STA. 507+00.00 TO STA. 509+27.93



PROPOSED JANAS CT.
STA. 498+50.00 TO STA. 499+16.88

(L) NOTE: PROPOSED CURB AND GUTTER BEGINS AT STA. 498+87.61

NOTE:

** (M) SEE GENERAL NOTE * ON SHEET NO. FOR ADDITIONAL INFORMATION

LEGEND

- (A) EXISTING BITUMINOUS PAVEMENT
- (B) EXISTING COMB. CONC. CURB AND GUTTER
- (C) EXISTING AGGREGATE SHOULDER
- (D) PROP. RETAINING WALL WITH RAILING
- (E) PROP. HOT-MIX ASPHALT SURFACE COURSE, MIX "D", N50 (IL 9.5 mm), 2"
- (F) PROP. HOT-MIX ASPHALT BINDER COURSE, IL-19.0, N50, 8" (2 LIFTS)
- (G) PROP. AGGREGATE SUBGRADE, 12"
- (H) PROP. B-6.12 COMB. CONC. CURB AND GUTTER
- (I) PROP. FURNISHING AND PLACING TOPSOIL, 4"
- (J) PROP. SEEDING AND EROSION CONTROL BLANKET
- (K) PROP. AGGREGATE SHOULDER, TYPE A 12"
- (L) PROP. B-6.24 COMB. CONC. CURB AND GUTTER
- (M) PROP. POROUS GRANULAR EMBANKMENT, SUBGRADE

FILE NAME =	USER NAME = IDOT	DESIGNED - EJM	REVISED -
11\102901\cadd sheets\sh-typicall.dgn		DRAWN - BK	REVISED -
	PLOT SCALE = 10,0000' / IN.	CHECKED - GFL	REVISED -
	PLOT DATE = 8/11/2011	DATE - 12/17/10	REVISED -

STATE OF ILLINOIS
DEPARTMENT OF TRANSPORTATION

EXISTING & PROPOSED TYPICAL SECTIONS
BROOKHILL ROAD AND JANAS COURT

SCALE: SHEET NO. OF SHEETS STA. TO STA.

F.A.P. RTE.	SECTION	COUNTY	TOTAL SHEETS	SHEET NO.
330	128R-3	LAKE	518	31
CONTRACT NO. 60953				
FED. ROAD DIST. NO. 1 ILLINOIS FED. AID PROJECT				