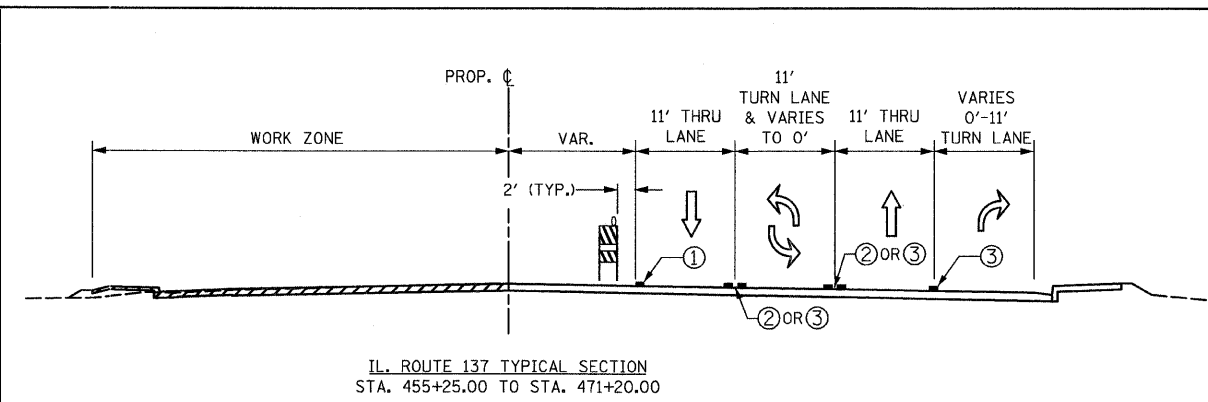
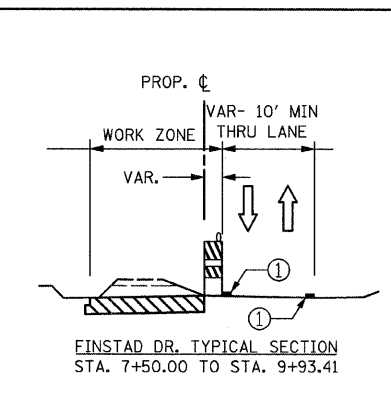


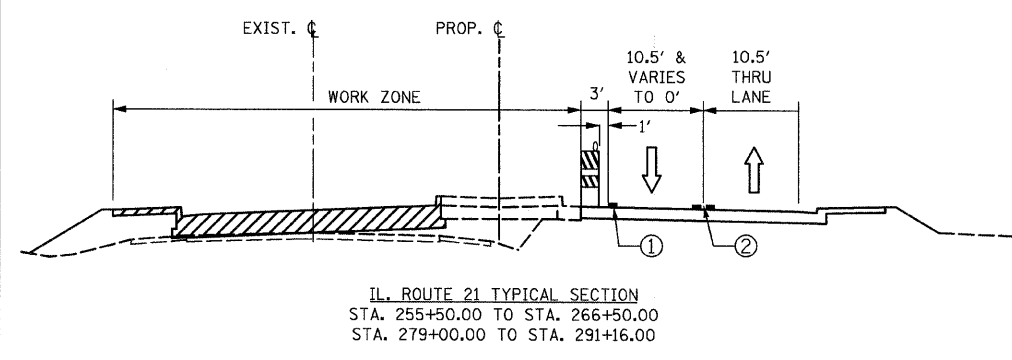
IL. ROUTE 21 TYPICAL SECTION  
STA. 175+00.00 TO STA. 255+50.00



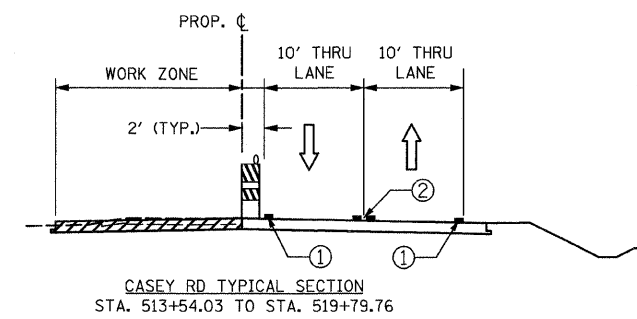
IL. ROUTE 137 TYPICAL SECTION  
STA. 455+25.00 TO STA. 471+20.00



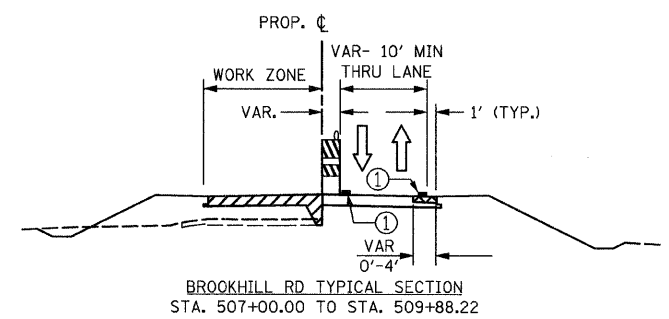
FINSTAD DR. TYPICAL SECTION  
STA. 7+50.00 TO STA. 9+93.41



IL. ROUTE 21 TYPICAL SECTION  
STA. 255+50.00 TO STA. 266+50.00  
STA. 279+00.00 TO STA. 291+16.00



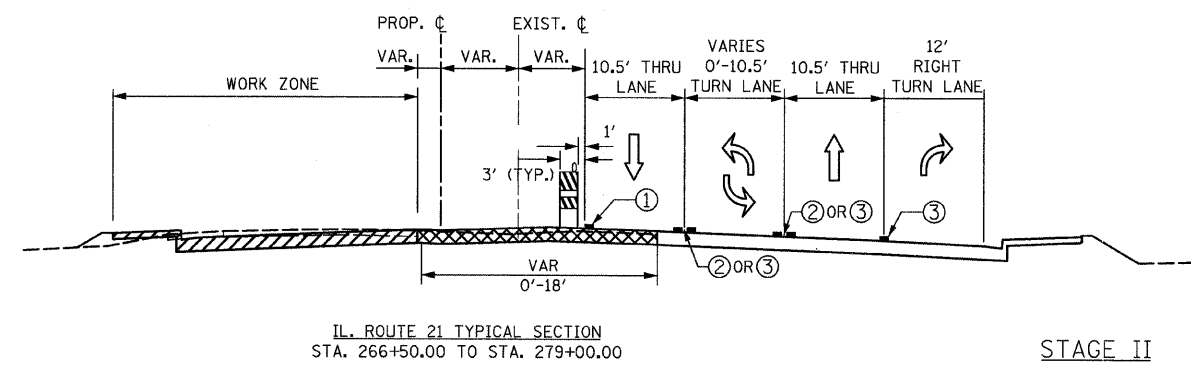
CASEY RD TYPICAL SECTION  
STA. 513+54.03 TO STA. 519+79.76



BROOKHILL RD TYPICAL SECTION  
STA. 507+00.00 TO STA. 509+88.22

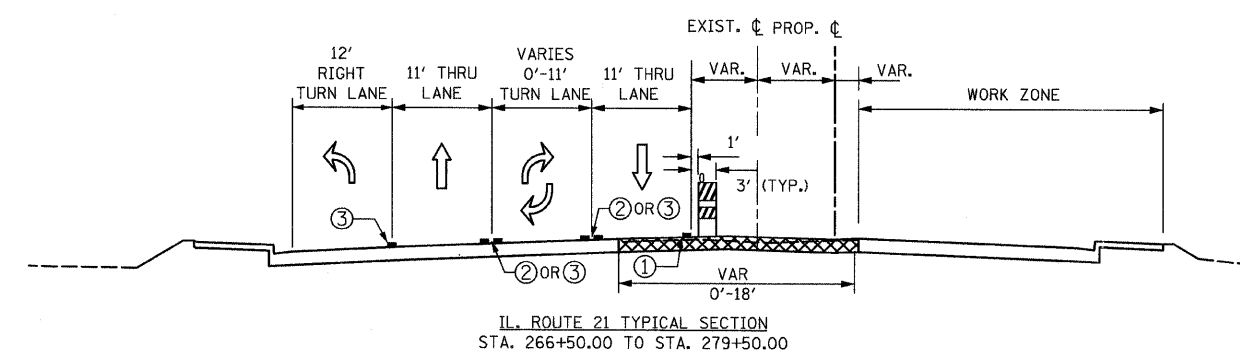
- LEGEND**
- PAVEMENT CONSTRUCTION
  - TEMPORARY PAVEMENT
  - NEWLY CONSTRUCTED PAVEMENT (PREVIOUS STAGES)
  - TYPE II BARRICADE OR DRUM
  - DIRECTION OF TRAFFIC
  - VERTICAL PANEL
  - TEMPORARY CONCRETE BARRIER
  - ① 4" WHITE EDGE LINE
  - ② 2-4" YELLOW LANE LINES @ 11" c-c.
  - ③ 6" WHITE LANE LINE
  - ④ 4" YELLOW EDGE LINE

**STAGE II**



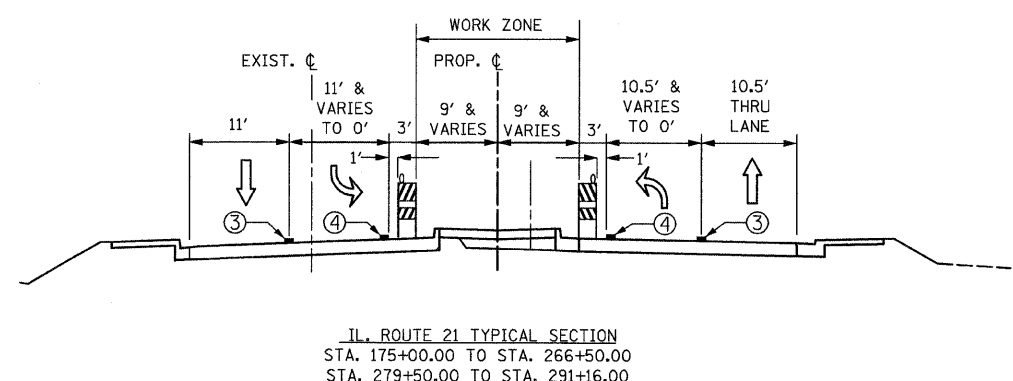
IL. ROUTE 21 TYPICAL SECTION  
STA. 266+50.00 TO STA. 279+00.00

**STAGE II**



IL. ROUTE 21 TYPICAL SECTION  
STA. 266+50.00 TO STA. 279+50.00

**STAGE III**



IL. ROUTE 21 TYPICAL SECTION  
STA. 175+00.00 TO STA. 266+50.00  
STA. 279+50.00 TO STA. 291+16.00

FILE NAME = I:\182901\CADD Sheets\staging003.dgn	USER NAME = IDOT	DESIGNED - EJM	REVISED -
PLOT SCALE = 10.0000' / IN.		DRAWN - BK	REVISED -
PLOT DATE = 8/11/2011		CHECKED - GFL	REVISED -
		DATE - 12/17/10	REVISED -

**STATE OF ILLINOIS  
DEPARTMENT OF TRANSPORTATION**

**STAGING AND TRAFFIC CONTROL TYPICAL SECTIONS STAGE II & III  
IL RTE 21 (MILWAUKEE AVE)**

SCALE: SHEET NO. OF SHEETS STA. TO STA.

F.A.P. RTE. 330	SECTION 128R-3	COUNTY LAKE	TOTAL SHEETS 518	SHEET NO. 62
FED. ROAD DIST. NO. 1 ILLINOIS FED. AID PROJECT				
CONTRACT NO. 60953				