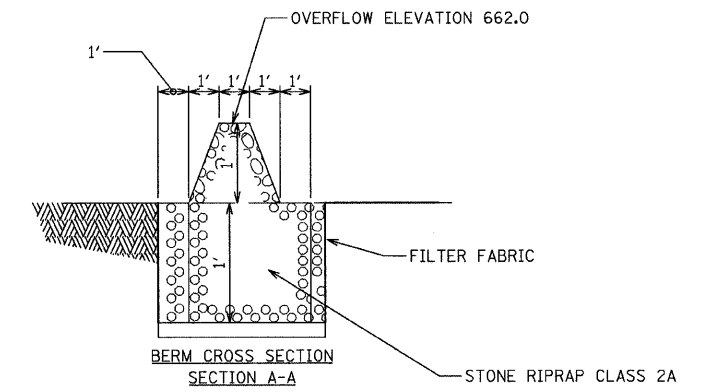
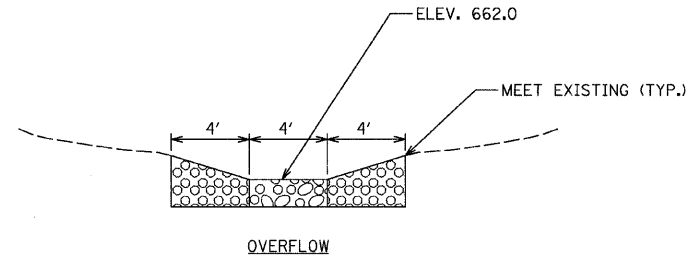
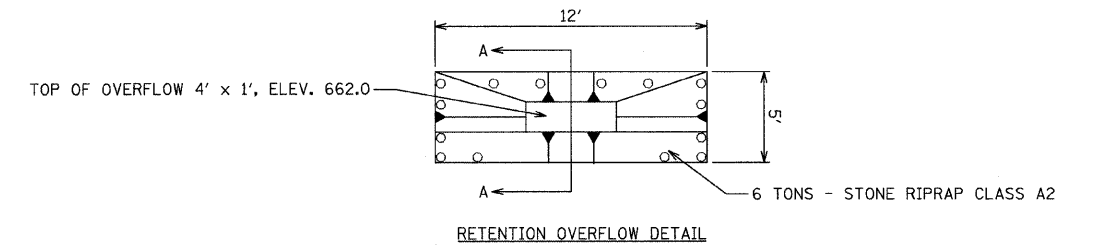
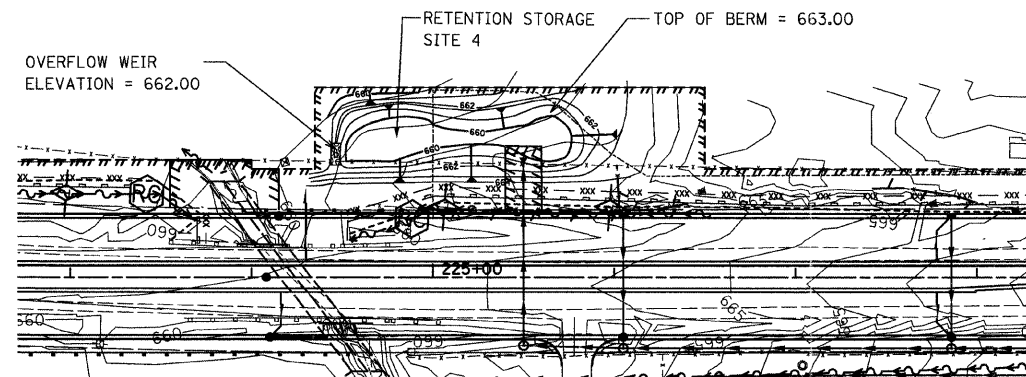


SITE 4 VOLUME

STAGE / STORAGE TABLE				
STAGE (ft)	ELEVATION (ft)	CONTOUR AREA (sq ft)	INCR. STORAGE (cu ft)	TOTAL STORAGE (cu ft)
0.00	660.00	1.254	0	0
1.00	661.00	1.883	1.588	1.588
2.00	662.00	2.577	2.221	3.779



EXISTING CONTOURS ARE SHOWN, SEE CROSS SECTIONS FOR PROPOSED GRADING



FILE NAME = u:\102901\cadd sheets\sh-retention4.dgn	USER NAME = IDOT	DESIGNED - EJM	REVISED -
		DRAWN - BK	REVISED -
		CHECKED - GFL	REVISED -
		DATE - 12/17/10	REVISED -

**STATE OF ILLINOIS
DEPARTMENT OF TRANSPORTATION**

DRAINAGE PLAN RETENTION SITE 4			
SCALE:	SHEET NO.	OF SHEETS	STA. TO STA.

F.A.P. RTE. 330	SECTION 128R-3	COUNTY LAKE	TOTAL SHEETS 518	SHEET NO. 104
FED. ROAD DIST. NO. 1 ILLINOIS FED. AID PROJECT				
CONTRACT NO. 60953				