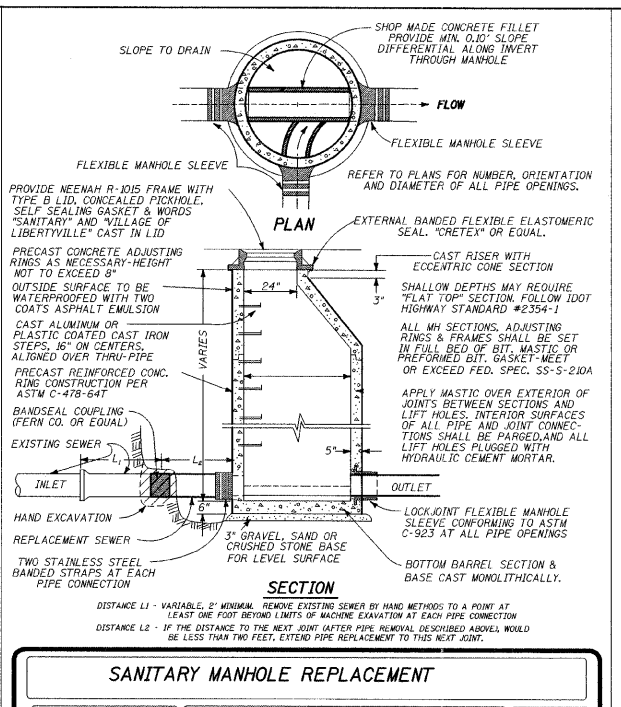
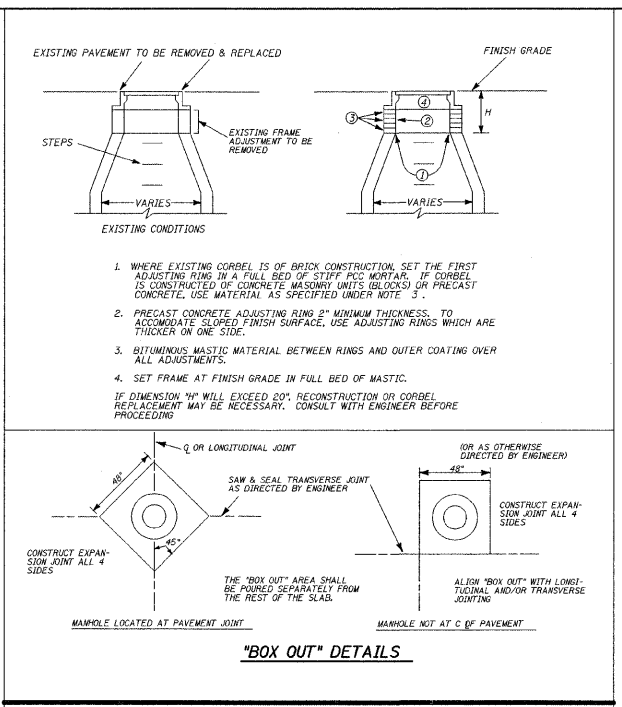


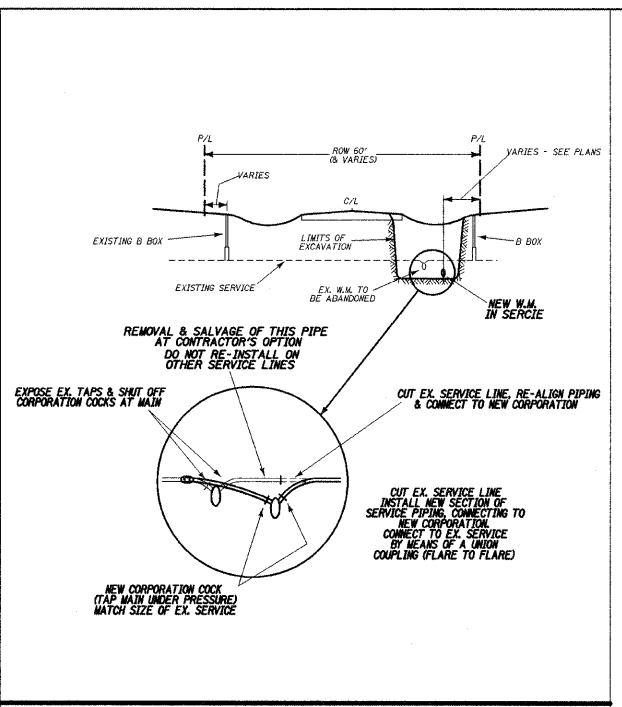
TYPICAL TRENCH AND BEDDING DETAIL
 ENGINEERING DIVISION CELL LIBRARY DTLS3.CEL CELL NAME DTLO24
 VILLAGE OF LIBERTYVILLE Revised 1/1/2000 STANDARD NO. 024



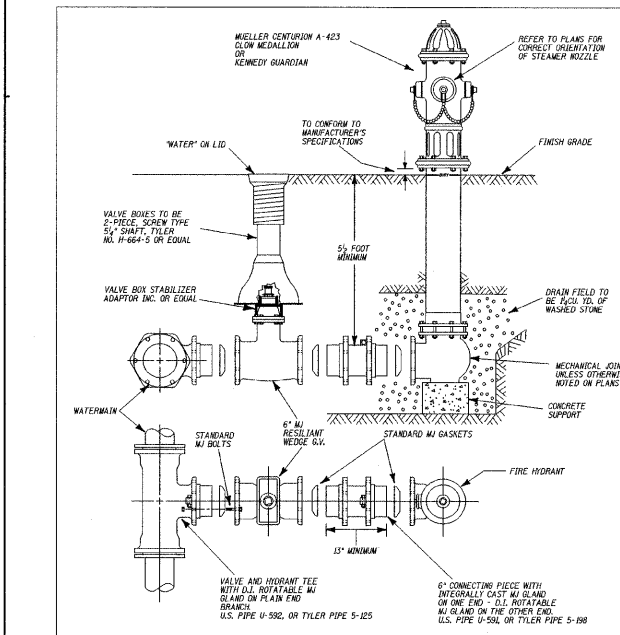
SANITARY MANHOLE REPLACEMENT
 Issued 02-30-97 By PLS Revised 02-28-98 Date PLS Approved by MLK
 VILLAGE OF LIBERTYVILLE DEPARTMENT OF PUBLIC WORKS ENGINEERING DIVISION
 STANDARD NO. 027



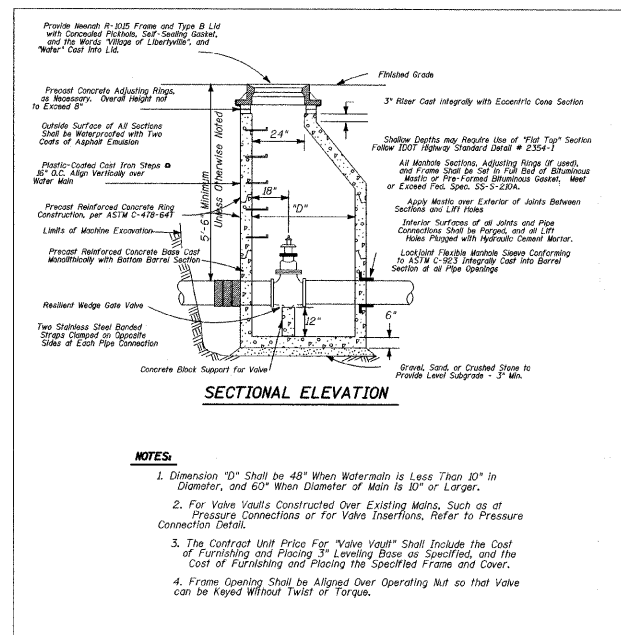
SANITARY MANHOLE FRAME ADJUSTMENT
 ENGINEERING DIVISION CELL LIBRARY DTLS3.CEL CELL NAME DTLO28
 VILLAGE OF LIBERTYVILLE STANDARD NO. 028



SERVICE RE-CONNECTIONS
 ENGINEERING DIVISION CELL LIBRARY DTLS4.CEL CELL NAME DTLO26
 VILLAGE OF LIBERTYVILLE STANDARD NO. 036



TYPICAL HYDRANT INSTALLATION
 Issued 07-97 By PLS Revised 02-98 Date PLS Approved by MLK
 VILLAGE OF LIBERTYVILLE DEPARTMENT OF PUBLIC WORKS ENGINEERING DIVISION
 STANDARD NO. 018



WATERMAIN VALVE VAULT
 Issued 1-27-98 By PLS Revised 02-28-98 Date PLS Approved by MLK
 VILLAGE OF LIBERTYVILLE DEPARTMENT OF PUBLIC WORKS ENGINEERING DIVISION
 STANDARD NO. 017

SUMMARY OF QUANTITIES

WATER MAIN				SANITARY SEWER			
ITEM NUMBER	DESCRIPTION	UNIT	TOTAL QUANTITY	ITEM NUMBER	DESCRIPTION	UNIT	TOTAL QUANTITY
20800250	TRENCH BACKFILL, SPECIAL	CU YD	352	20800250	TRENCH BACKFILL, SPECIAL	CU YD	750
56103000	DUCTILE IRON WATER MAIN 8"	FOOT	463	X0326658	CURED-IN-PLACE PIPE LINER, 10"	FOOT	777
56103100	DUCTILE IRON WATER MAIN 8"	FOOT	746	X0326713	SANITARY SEWER CONNECTION	EACH	7
56103200	DUCTILE IRON WATER MAIN 10"	FOOT	353	X0487800	SANITARY SEWER REMOVAL 12"	FOOT	486
56103300	DUCTILE IRON WATER MAIN 12"	FOOT	212	X6022820	MANHOLES, SANITARY, 5'-DIAMETER, TYPE 1 FRAME, CLOSED LID	EACH	6
56104900	WATER VALVES 6"	EACH	1	X6026054	SANITARY MANHOLES TO BE REMOVED	EACH	3
56105000	WATER VALVES 8"	EACH	6	Z0056800	SANITARY SEWER 6"	EACH	70
56105100	WATER VALVES 10"	EACH	1	Z0057100	SANITARY SEWER 12"	FOOT	466
56105200	WATER VALVES 12"	EACH	1				
56200700	WATER SERVICE LINE 2"	FOOT	610				
56201800	CORPORATION STOPS 2"	EACH	14				
56400500	FIRE HYDRANTS TO BE REMOVED	EACH	5				
56400820	FIRE HYDRANT WITH AUXILIARY VALVE AND VALVE BOX	EACH	3				
56500800	DOMESTIC WATER SERVICE BOXES	EACH	14				
60248900	VALVE VAULTS, TYPE A, 5'-DIAMETER, TYPE 1 FRAME, CLOSED LID	EACH	9				
X5610004	DUCTILE IRON WATER MAIN FITTINGS	POUND	2385				
X5610706	WATER MAIN REMOVAL, 8"	FOOT	496				
X5610708	WATER MAIN REMOVAL, 8"	FOOT	935				
X5610710	WATER MAIN REMOVAL, 10"	FOOT	27				
X5610712	WATER MAIN REMOVAL, 12"	FOOT	250				
X6026622	VALVE VAULTS TO BE REMOVED	EACH	5				

* INDICATES SPECIAL PROVISION