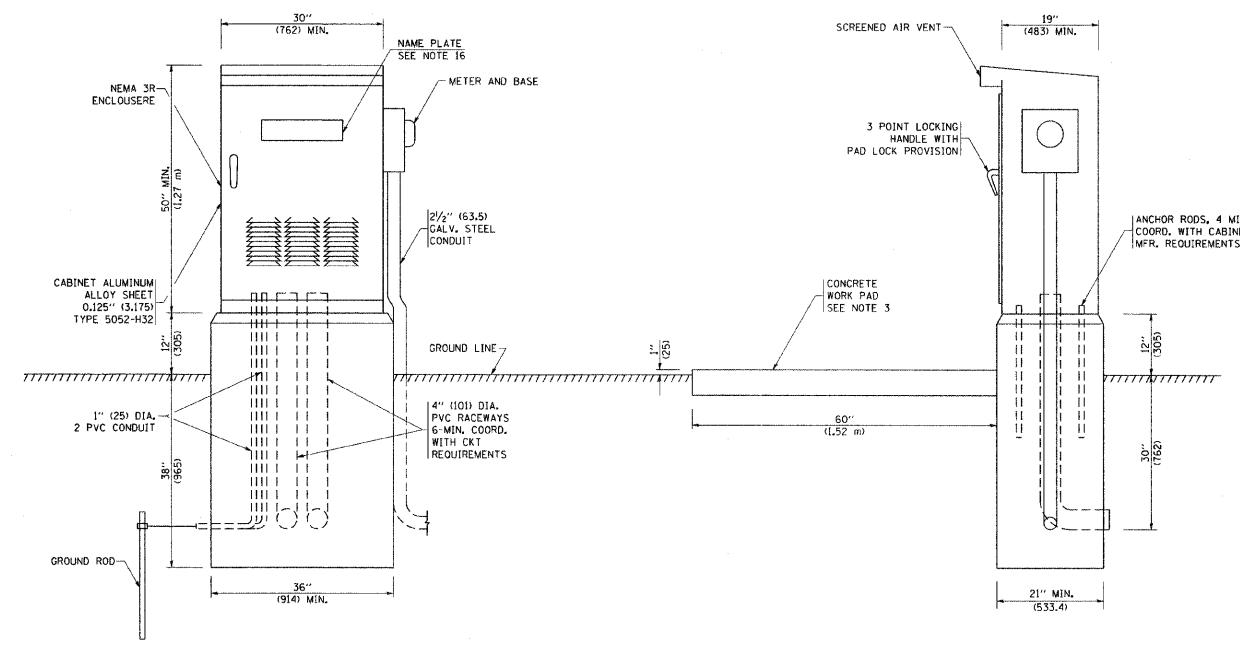


PANEL EQUIPMENT

BILL OF MATERIAL		
ITEM	QUANTITY	DESCRIPTION
A	1	MAIN CIRCUIT BREAKER, 2 POLE, 600 VOLT 100 AMP. FRAME, 100 AMP. NON-INTERCHANGEABLE TRIP INTERRUPTING RATING NEMA-22000 AMP. AT 480 VOLT.
B	1	REMOTE CONTROL SWITCH, ELECTRICALLY OPERATED, MECHANICALLY HELD, 2 POLE, SINGLE THROW, 100 AMP., 600 VOLTS CONTROL CIRCUIT 240 VOLT.
C	8	CIRCUIT BREAKERS, 1 POLE, 100AMP. FRAME, 50 AMP. NON-INTERCHANGEABLE TRIP INTERRUPTING RATING NEMA-10,000 AMP. AT 240 V.
D	2	CONTROL CIRCUIT-CIRCUIT BREAKER, 1 POLE, 240 V., 100 AMP. FRAME, 15 AMP. NON-INTERCHANGEABLE TRIP INTERRUPTING RATING NEMA-5000 AMP. AT 240 V.
E	1	ASTRONOMIC MICROPROCESSOR-BASED 2-CHANNEL CONTROLLER (TIME SWITCH).
F	1	20 A., 120 V. FUSE.
G	1	1.5 KVA, SINGLE PHASE, ENCAPSULATED TRANSFORMER 240 X 480 / 120 X 240 VOLT, 60 HZ.
H	1	SPST 20A SWITCH ON DOOR, TO TURN LIGHT ON WHEN DOOR IS OPEN.
I	1	INCANDESCENT LIGHTING FIXTURE ENCLOSED AND GASKETED WITH 60 WATT, 120 V. LAMP.
J	1	20 A., 120 V., DUPLEX RECEPTACLE, GFCI.
K	1	COPPER GROUND BUS 1/4" (6.35) X 1" (25.4) X 12" (304.8 mm) LONG MOUNTED ON PANEL WITH LUGS AND 4 SPARE LUGS
L	1	TOGGLE SWITCHES MOUNTED IN 4" (101.6) X 4" (101.6 mm) BOX.
M	1	COPPER GROUND BUS 1/4" (6.35) X 1" (25.4) X 12" (304.8 mm) LONG MOUNTED ON PANEL WITH LUGS AND SPARE LUGS



- NOTES:**
- ALL DIMENSIONS ARE IN INCHES (MILLIMETERS) UNLESS OTHERWISE SHOWN.
 - FOUNDATION SIZE SHALL BE COORDINATED WITH CABINET SIZE AND MFR.
 - IN FRONT OF CONTROL CABINET DOOR, REMOVE VEGETATION AND 2" (50.8 mm) TOP SOIL. LEVEL THE AREA AND ON TOP, PLACE LENGTH WISE PARALLEL TO CONTROL CABINET, A CONCRETE PAD 36" (914.4 mm) X 60" (1524 mm) X 4" (101 mm) MIN. SIZE. THE COST OF LABOR AND MATERIALS ARE INCLUDED IN THE COST OF THE CONTROLLER.
 - DOOR SHALL BE CONSTRUCTED FROM SAME TYPE OF MATERIAL AND THICKNESS AS CABINET.
 - DOOR SHALL BE EQUIPPED WITH THREE POINT LATCHING MECHANISM WITH NYLON ROLLERS AT TOP THE BOTTOM.
 - DOOR HINGE SHALL BE A HEAVY GAUGE CONTINUOUS HINGE WITH A 1/4" (6.35 mm) DIA. STAINLESS STEEL HINGE PIN.
 - ALL EXTERNAL HARDWARE SHALL BE STAINLESS STEEL.
 - CONTROL WIRING TO BE #12 AWG, 600V, TYPE "SIS" GRAY SWITCH BOARD WIRE, STRANDED COPPER.
 - METER BOX SHALL BE MOUNTED ON THE SIDE OF CONTROL CABINET, NEAR TO THE SERVICE POLE.
 - CABINETS SHALL BE PRIMED AND PAINTED AS SPECIFIED.
 - THE HEADS OF CONNECTORS SCREWS SHALL BE PAINTED WHITE FOR NEUTRAL BAR CONNECTION AND GREEN FOR GROUND BAR CONNECTORS.
 - ALL WIRING WITHIN THE CABINET SHALL BE COLOR CODED AS INDICATED.
R = RED BL = BLUE W = WHITE
B = BLACK Y = YELLOW G = GREEN
 - PROVIDE SEALING GROMMETS FOR ALL OPEN WIRING EXTENDED FROM DEVICES IN BOXES OR CABINETS WITHIN THE CONTROL CABINET.
 - ALL WIRING SHALL BE NEATLY DRESSED AND SUPPORTED.
 - THE CONTROLLER SHALL BE CONSTRUCTED TO U.L. STD. 508 AND BEAR THE U.L. LABEL "ENCLOSED INDUSTRIAL CONTROL PANEL".
 - 12" (304.8) X 16" (406.4 mm) STAINLESS STEEL EXTERIOR NAMEPLATE SHALL BE ENGRAVED TO "STATE OF ILLINOIS LIGHTING CONTROLS" UNLESS OTHERWISE SPECIFIED.

FILE NAME = W:\ststch\22\34\be215.dgn	USER NAME = gaglione	DESIGNED -	REVISED - 08-20-04	STATE OF ILLINOIS DEPARTMENT OF TRANSPORTATION	LIGHTING CONTROLLER SINGLE DOOR	F.A. RTE.	SECTION	COUNTY	TOTAL SHEETS	SHEET NO.		
PLOT SCALE = 50.00000' / 1"	DRAWN -	REVISED -	SCALE: NONE			SHEET NO. 1 OF 1 SHEETS	STA. TO STA.	BE-215	CONTRACT NO.			
PLOT DATE = 1/4/2008	CHECKED -	REVISED -	FED. ROAD DIST. NO. 1 ILLINOIS FED. AID PROJECT									
PLOT DATE = 1/4/2008	DATE - 04/13/11	REVISED -										

SPAAN Tech, Inc.
311 South Wacker Drive, Suite 2400
Chicago, IL 60606
Phone: 312.277.8800
Fax: 312.277.8808
Web: www.SpaanTech.com

LT-07.dgn
STI - PDF.plt
7/6/2011 3:19:34 PM
SpaanTech - By LineWeight - grayscale.tbl

USER NAME = Darian Longmire	DESIGNED - TCM	REVISED -
PLOT SCALE = 50.000100' / 1"	DRAWN - TCM	REVISED -
SpaanTech - By LineWeight - grayscale.tbl	CHECKED - TCM	REVISED -
	DATE - 04/13/11	REVISED -

**STATE OF ILLINOIS
DEPARTMENT OF TRANSPORTATION**

**ILLINOIS ROUTE 21 AND ILLINOIS ROUTE 137
LIGHTING CONTROLLER - LM**

SCALE: NONE SHEET NO. OF SHEETS STA. TO STA.

F.A.P. RTE.	SECTION	COUNTY	TOTAL SHEETS	SHEET NO.
330	128R-3	LAKE	513	235
CONTRACT NO. 60953				
ILLINOIS FED. AID PROJECT				