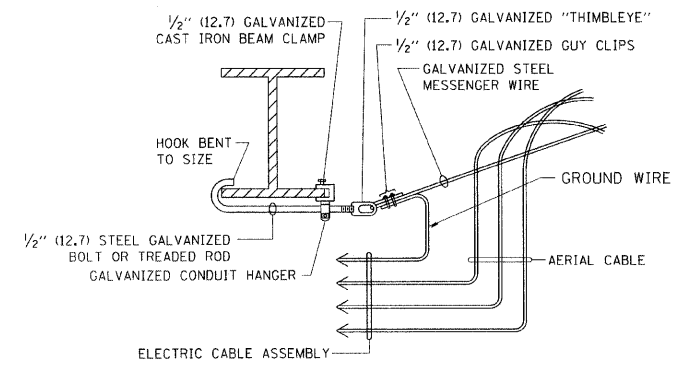
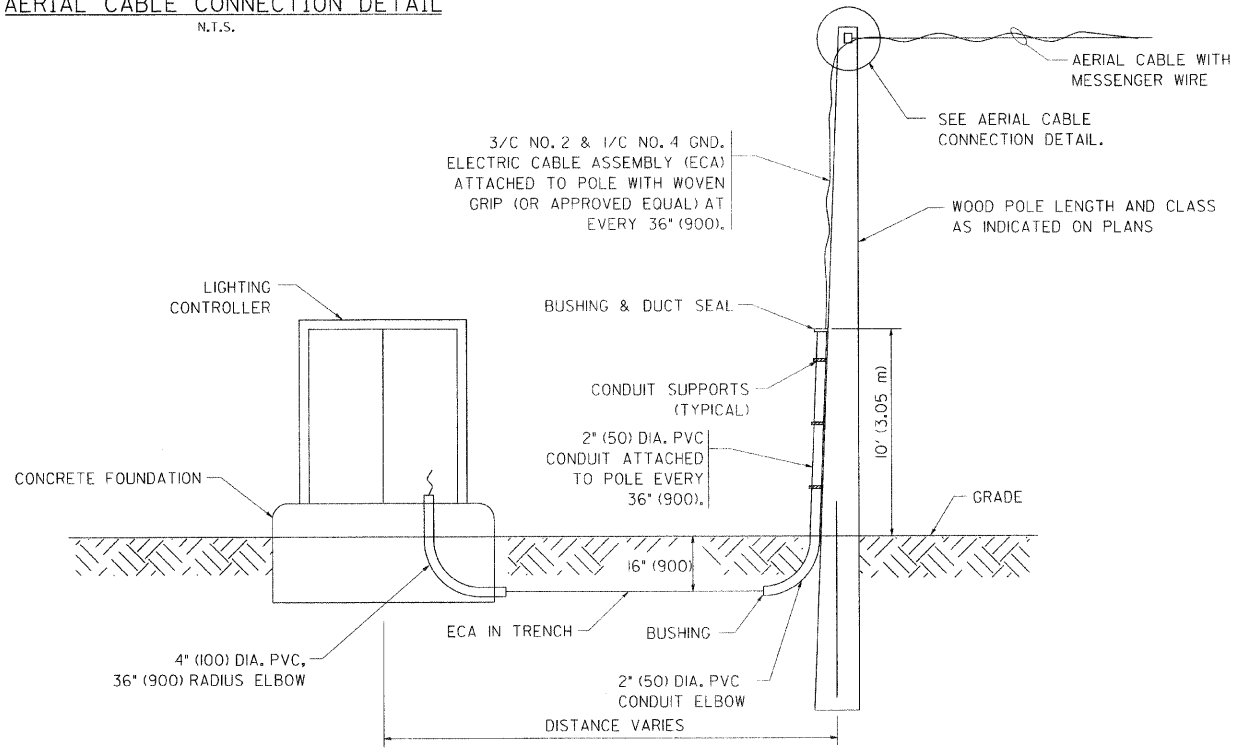


**AERIAL CABLE CONNECTION DETAIL**  
N.T.S.



**AERIAL CABLE ATTACHED TO STRUCTURE**  
NOT TO SCALE



**WOOD POLE TO LIGHTING CONTROLLER WIRING CONNECTION DETAIL**  
N.T.S.

**NOTES:**

1. ALL DIMENSIONS IN INCHES (MILLIMETERS) UNLESS OTHERWISE INDICATED.
2. SEE PROPOSED LIGHTING PLAN FOR CONDUIT, CABLE AND ROUTING.
3. THE CONTRACTOR SHALL PROVIDE INTERMEDIATE SUPPORTS TO MAINTAIN MINIMUM CLEARANCES. REFER TO AERIAL CABLE ATTACHED TO STRUCTURE DETAIL.
4. COST OF SPLICES AND MOUNTING HARDWARE SHALL BE INCLUDED IN THE UNIT PRICE FOR AERIAL CABLE.

FILE NAME: w:\dist\22-341\ba886.dgn	USER NAME: geglennob	DESIGNED: -	REVISED: 08-08-03	<b>STATE OF ILLINOIS DEPARTMENT OF TRANSPORTATION</b>	<b>TEMPORARY AERIAL CABLE INSTALLATION</b>			F.A.P. RTE.	SECTION	COUNTY	TOTAL SHEETS	SHEET NO.
PLOT SCALE = 50.0000 "/> <td>CHECKED: -</td> <td>REVISED: -</td> <td>REVISED: -</td> <td>SCALE: NONE</td> <td>SHEET NO. 1 OF 1 SHEETS</td> <td>STA. TO STA.</td> <td colspan="5" style="text-align: center;"><b>BE-801 CONTRACT NO.</b></td>	CHECKED: -	REVISED: -	REVISED: -		SCALE: NONE	SHEET NO. 1 OF 1 SHEETS	STA. TO STA.	<b>BE-801 CONTRACT NO.</b>				
PLOT DATE = 1/4/2008	DATE: -	REVISED: -	REVISED: -		<small>FED. ROAD DIST. NO. 1 (ILLINOIS) FED. AID PROJECT</small>							

**SPAAN Tech, Inc.**  
311 South Wacker Drive, Suite 2400  
Chicago, IL 60606  
Phone: 312.271.8800  
Fax: 312.271.8808  
Web: www.SpaanTech.com

LT-14.dgn  
STI - PDF.plt  
7/6/2011 3:49:04 PM  
SpaanTech - By LineWeight - grayscale.tbl

USER NAME = Darion Longmire	DESIGNED = TCM	REVISED =
DRAWN = TCM	CHECKED = TCM	DATE = 04/13/11

**STATE OF ILLINOIS  
DEPARTMENT OF TRANSPORTATION**

<b>ILLINOIS ROUTE 21 AND ILLINOIS ROUTE 137 TEMPORARY AERIAL CABLE INSTALLATION</b>			
SCALE: NONE	SHEET NO. OF SHEETS	STA. TO STA.	

F.A.P. RTE.	SECTION	COUNTY	TOTAL SHEETS	SHEET NO.
330	128R-3	LAKE	513	242
<b>CONTRACT NO. 60953</b>				
<small>ILLINOIS FED. AID PROJECT</small>				