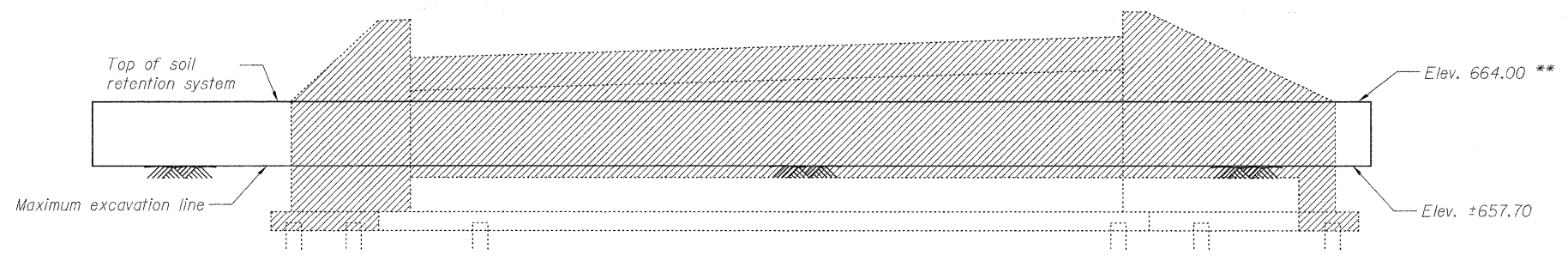


SECTION A-A

SECTION B-B



SECTION C-C

LEGEND

Concrete Removal

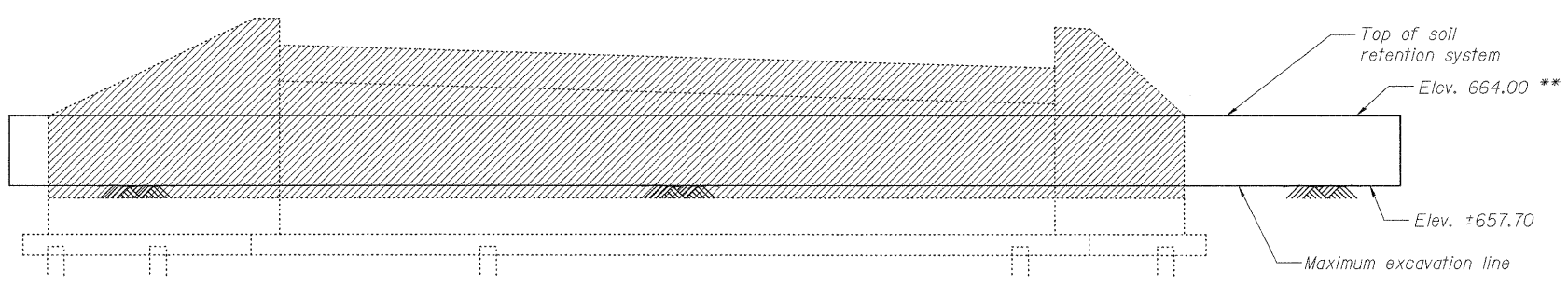
BILL OF MATERIAL

Item	Unit	Total
Concrete Removal	Cu. Yd.	81
Temporary Soil Retention System	Sq. Ft.	5,640

* Special Provision

Notes:

- Excavate soil behind the existing abutment before removing the existing abutment wall.
- The stream work is expected in the low water level. The cost of dewatering the area behind the retention system for existing structure removal is included in Temporary Soil Retention System.
- ** 3. Adjust elevation based on water level in construction.
- See location of Sections A-A through D-D on sheet 3 of 43.



SECTION D-D

