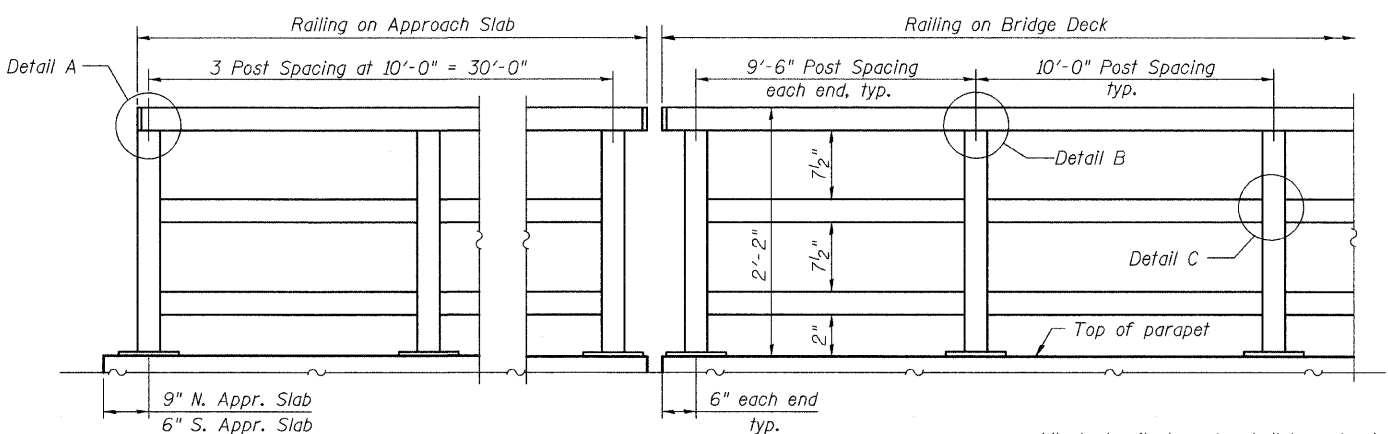
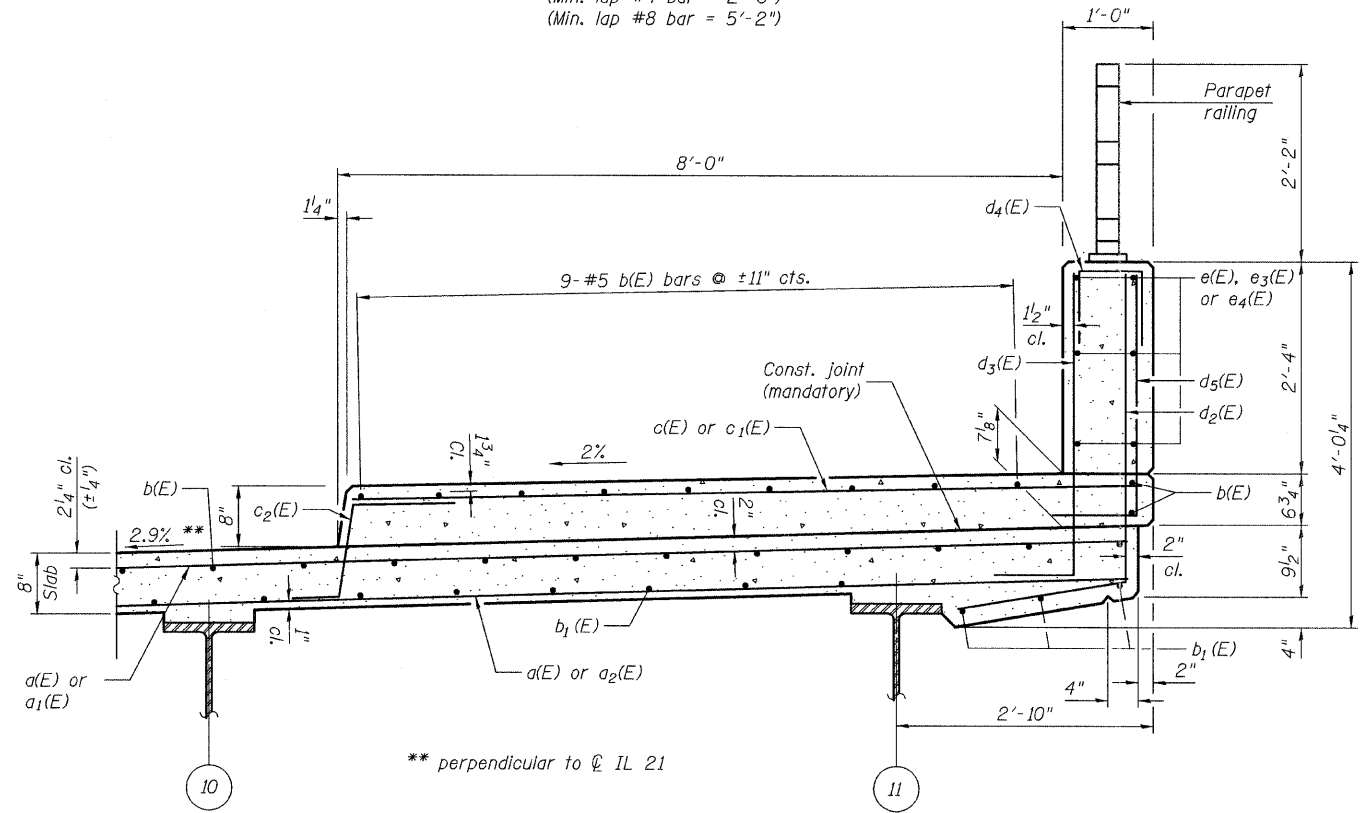


INSIDE ELEVATION OF WEST PARAPET
 (Min. lap #4 bar = 2'-0")
 (Min. lap #8 bar = 5'-2")

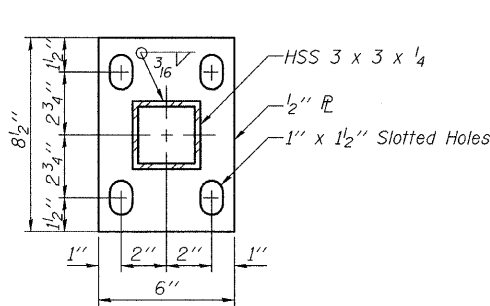


PARAPET RAILING ELEVATION

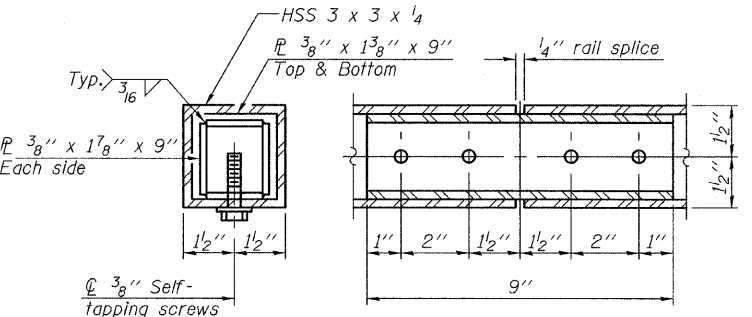
All steel rail elements shall be galvanized according to Article 509.05 of the Standard Specifications.



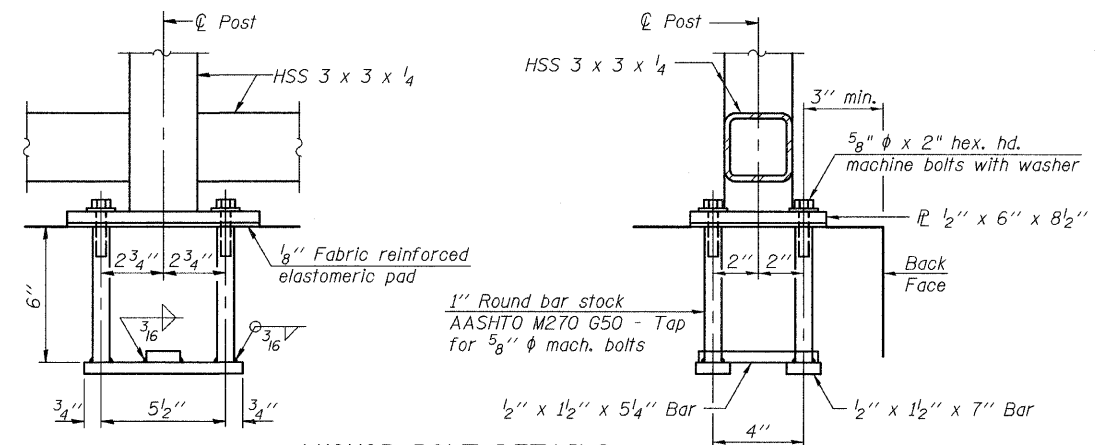
SECTION THRU WEST PARAPET



BASE PL

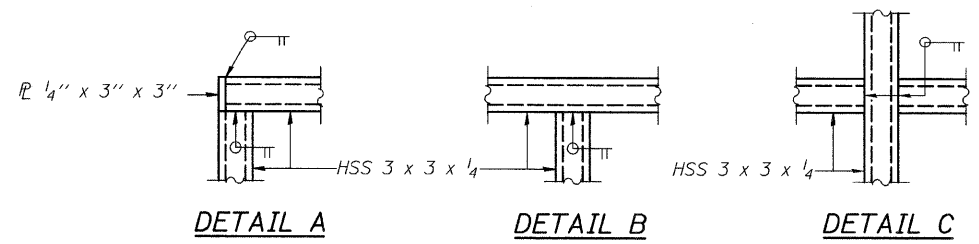


RAIL SPLICE



ANCHOR BOLT DETAILS

In lieu of the cast-in-place anchor device shown, the Contractor has the option of drilling and setting 5/8" anchor rods according to Article 509.06 of the Standard Specifications. Embedment shall be according to the manufacturer's specifications.



DETAIL A

DETAIL B

DETAIL C

FILE NAME = 0490199-60953-015-W.Parapet.dgn	USER NAME =	DESIGNED - KO	REvised -	STATE OF ILLINOIS DEPARTMENT OF TRANSPORTATION	WEST PARAPET ELEVATION AND DETAILS STRUCTURE NO. 049-0199	F.A.P. RTE. 330	SECTION 128R-3	COUNTY LAKE	TOTAL SHEETS 518	SHEET NO. 257
PLOT SCALE =	CHECKED - JY	REvised -				ILLINOIS FED. AID PROJECT				
PLOT DATE = 12/28/2018	DRAWN - KO	REvised -				CONTRACT NO. 60953				
	CHECKED - JY	REvised -								

