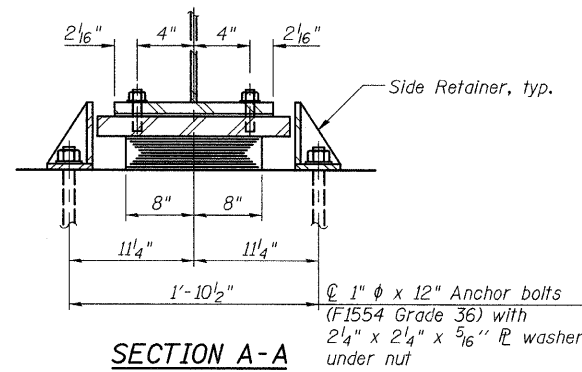
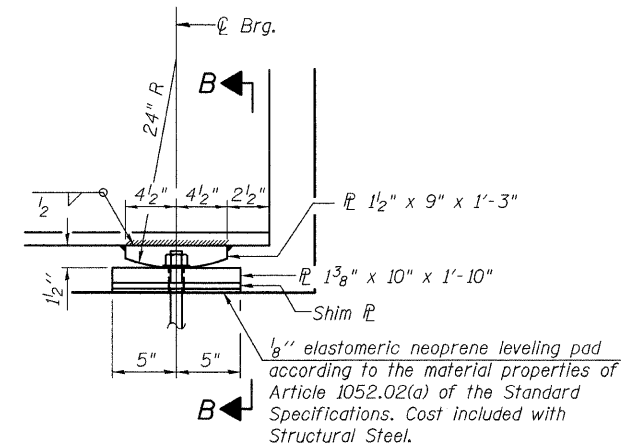


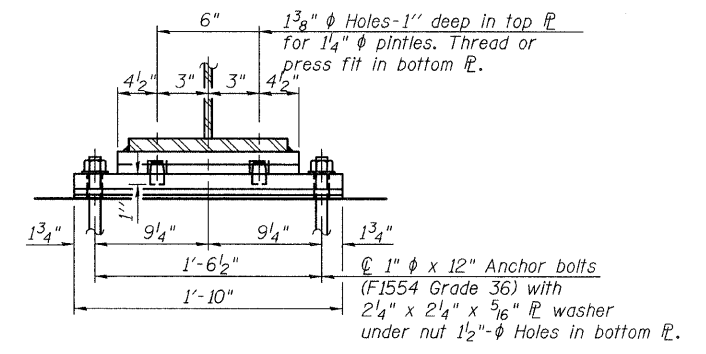
ELEVATION AT NORTH ABUTMENT



SECTION A-A

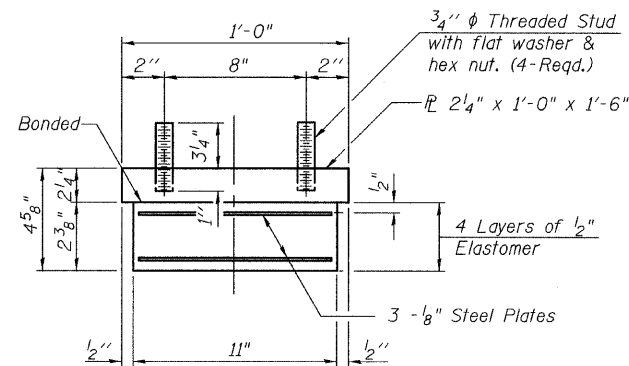


ELEVATION AT SOUTH ABUTMENT



SECTION B-B

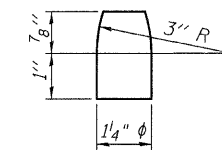
TYPE I ELASTOMERIC EXP. BRG.



BEARING ASSEMBLY

Note:
Shim plates shall not be placed under Bearing Assembly.

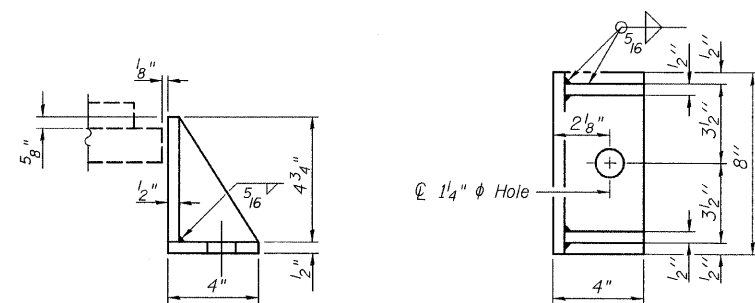
Notes:
Anchor bolts shall be ASTM F1554 all-thread (or an Engineer-approved alternate material) of the grade(s) and diameter(s) specified. ASTM A307 Grade C anchor bolts may be used in lieu of ASTM F1554 Grade 36 (Fy=36ksi). The corresponding specified grade of AASHTO M314 anchor bolts may be used in lieu of ASTM F1554.
Anchor bolts at fixed bearings may be either cast in place or installed in holes drilled after the supported member is in place.
Anchor bolts for side retainers may be cast in place or installed in holes drilled before or after members are in place.
Drilled and set anchor bolts shall be installed according to Article 521.06 of the Standard Specifications.
Side retainers and other steel members required for the elastomeric bearing assembly shall be included in the cost of Furnishing Elastomeric Bearing Assembly, Type I.



PINTLE

FIXED BEARING

NOTE:
Bearings were furnished in Contract 60P54 and are shown for information only. Anchor bolts and bearing erection are included in Contract 60953.



SIDE RETAINER

Equivalent rolled angle with stiffeners will be allowed in lieu of welded plates.

BILL OF MATERIAL

Item	Unit	Total
Erecting Elastomeric Bearing Assembly, Type I	Each	11
Anchor Bolts, 1"	Each	22

