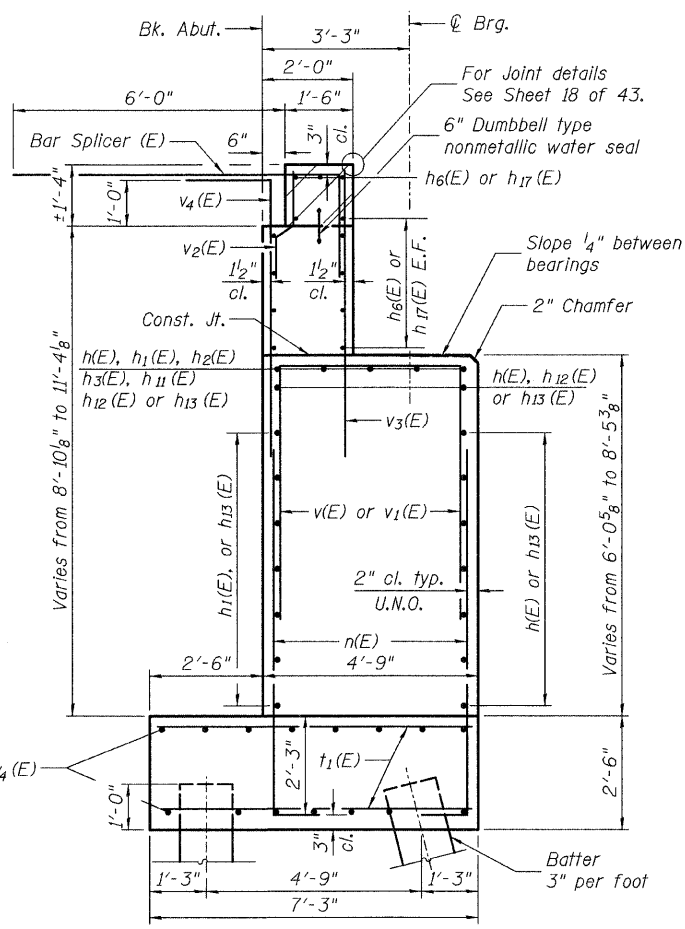
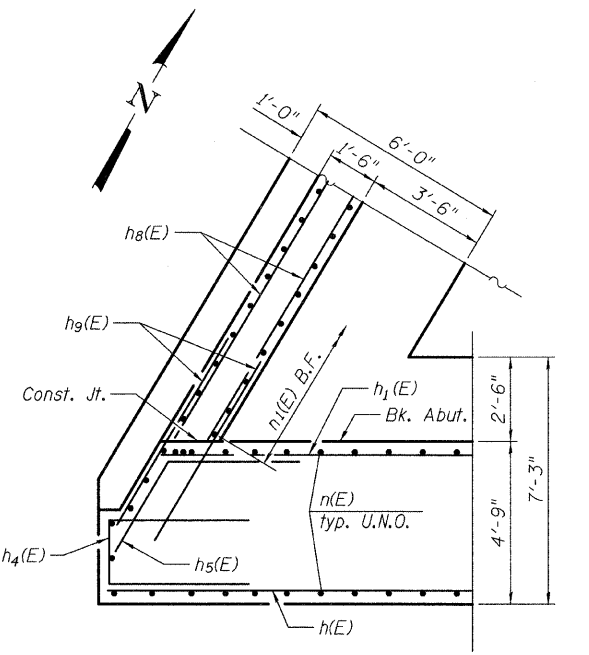


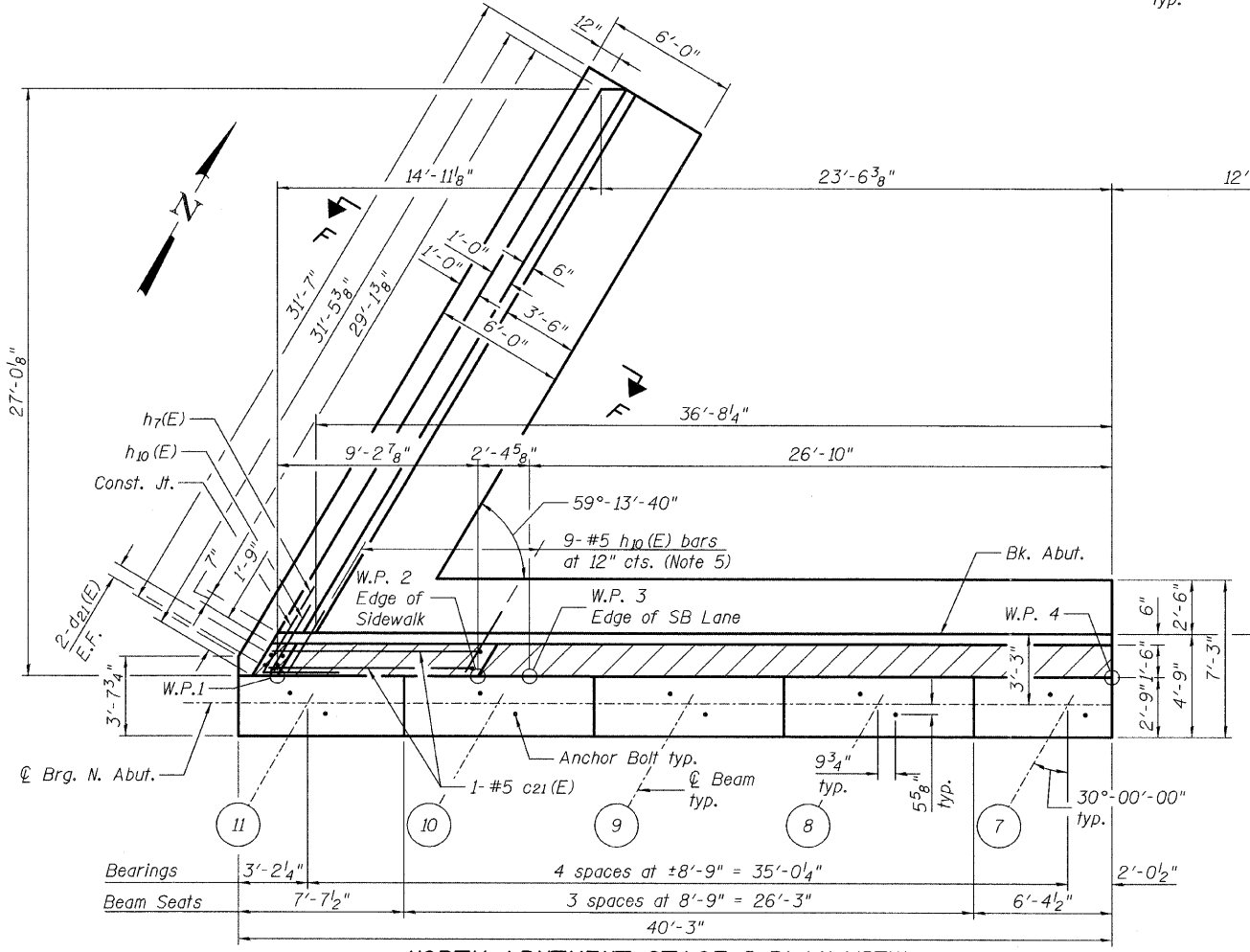
NORTH ABUTMENT STAGE I ELEVATION



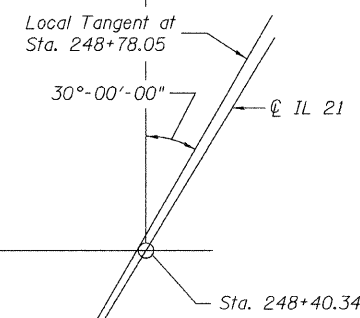
SECTION A-A



SECTION B-B

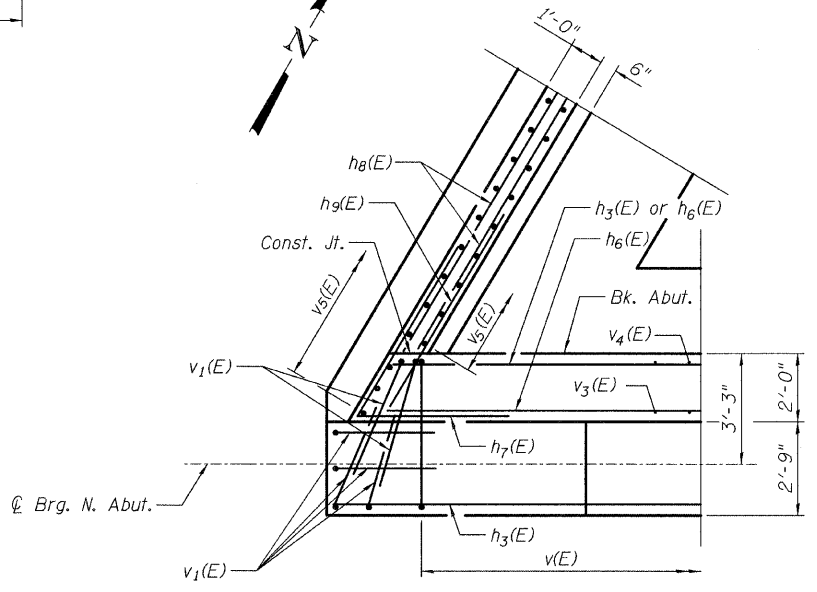


NORTH ABUTMENT STAGE I PLAN VIEW



BEAM SEAT ELEVATION

Beam No.	Elevation
7	668.99
8	669.23
9	669.47
10	669.71
11	669.95



SECTION C-C

- Notes:
- See Section F-F on sheet 33 of 43.
 - Hatched area to be poured after superstructure false work has been removed. Quantity of concrete included with Concrete Superstructure.
 - Space reinforcement in cap to miss anchor bolts.
 - Pour steps monolithically with cap.
 - Place bar splicer (E), v4(E) and h10(E) bars parallel to beams. Alternate bar splicer with v4(E) bars.
 - Field cut h3(E) bars to fit.
 - Min. lap splice for #5 bar is 2'-11" and #6 bar is 3'-6" unless noted otherwise.

FILE NAME = 0490199-00963-031-N.Abut.Stage.I.dgn
 USER NAME =
 PLOT SCALE =
 PLOT DATE = 12/28/2018

DESIGNED - JY
 CHECKED - WPM
 DRAWN - JY
 CHECKED - RMK

REVISIED -
 REVISIED -
 REVISIED -
 REVISIED -

**STATE OF ILLINOIS
 DEPARTMENT OF TRANSPORTATION**

**STAGE I NORTH ABUTMENT PLAN, ELEVATION AND SECTIONS
 STRUCTURE NO. 049-0199**

SHEET NO. 31 OF 43 SHEETS

F.A.P. RTE.	SECTION	COUNTY	TOTAL SHEETS	SHEET NO.
330	128R-3	LAKE	518	273
				CONTRACT NO. 60953

MACTEC

ILLINOIS FED. AID PROJECT