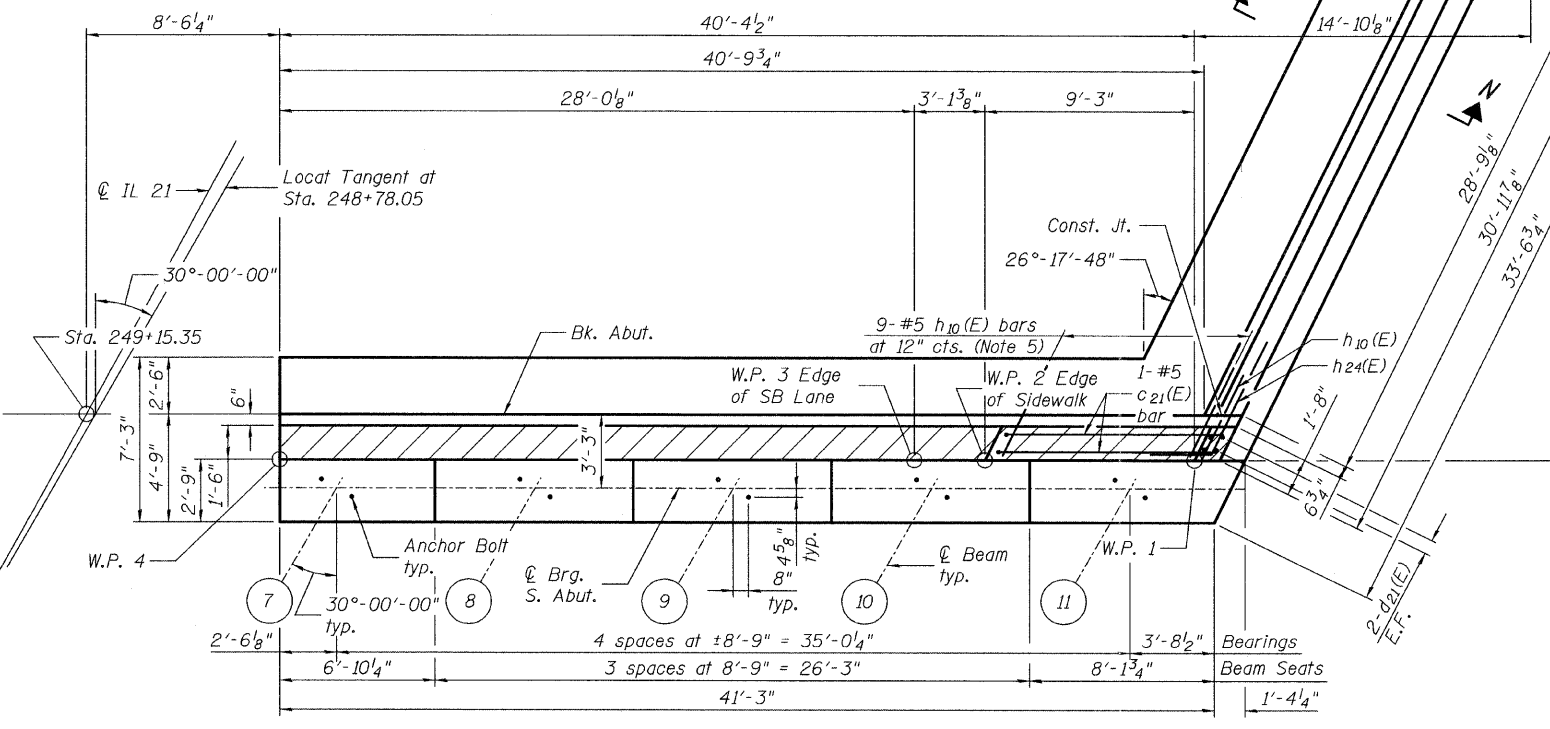


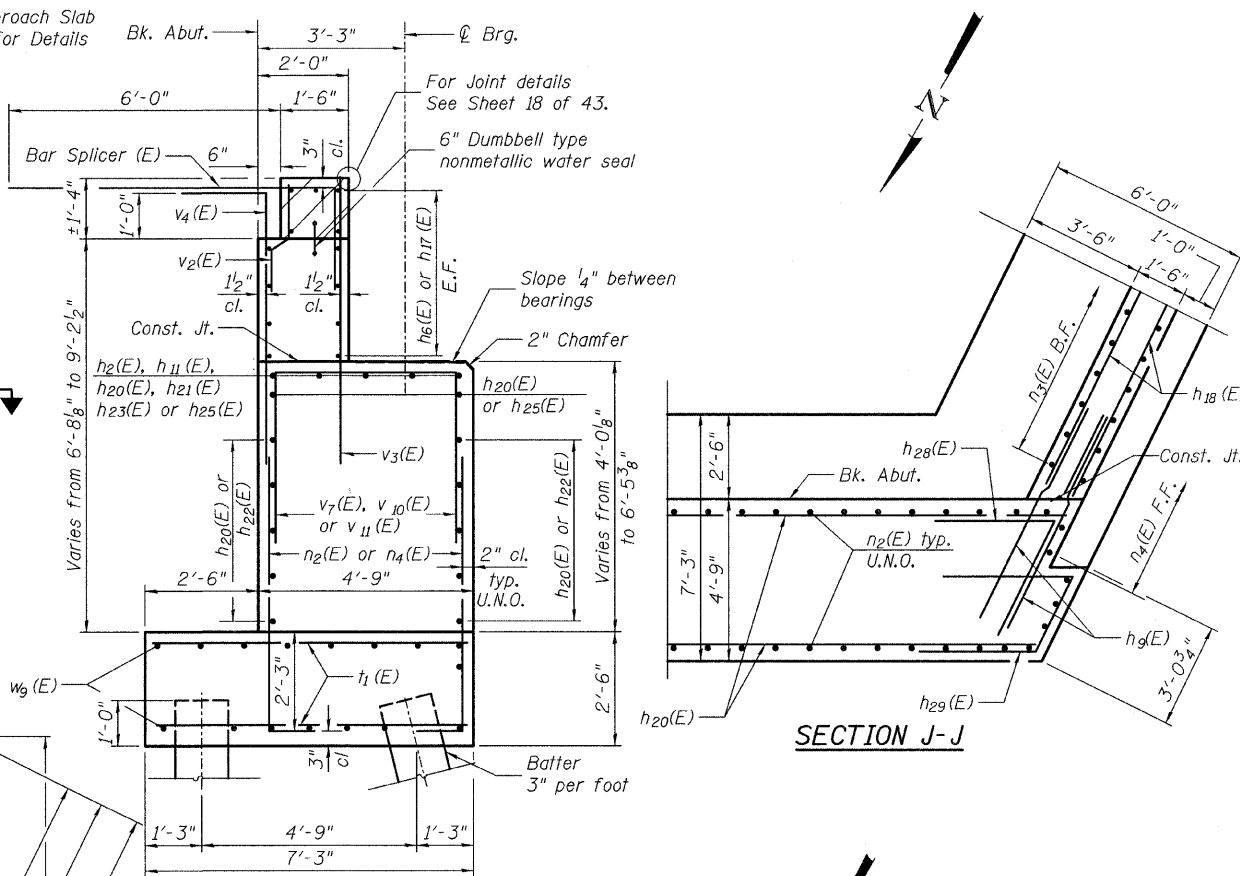
**SOUTH ABUTMENT STAGE I ELEVATION**

**BEAM SEAT ELEVATION**

Beam No.	Elevation
7	669.47
8	669.72
9	669.96
10	670.20
11	670.45

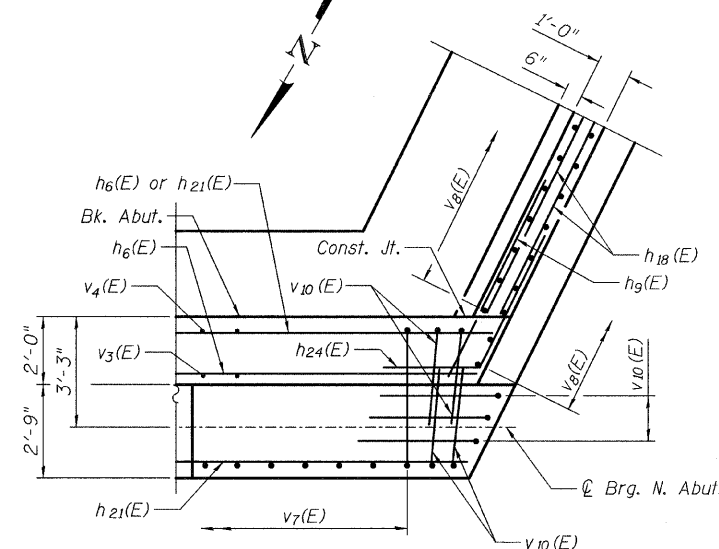


**SOUTH ABUTMENT STAGE I PLAN VIEW**



**SECTION H-H**

**SECTION J-J**



**SECTION K-K**

- Notes:
- See Section N-N on sheet 37 of 43.
  - Hatched area to be poured after superstructure false work has been removed. Quantity of concrete included with Concrete Superstructure.
  - Space reinforcement in cap to miss anchor bolts.
  - Pour steps monolithically with cap.
  - Place bar splicer (E), v4(E) and h10(E) bars parallel to beams. Alternate bar splicer with v4(E) bars.
  - Field cut h21(E) bars to fit.
  - Min. lap splice for #5 bar is 2'-11" and #6 bar is 3'-6" unless noted otherwise.

