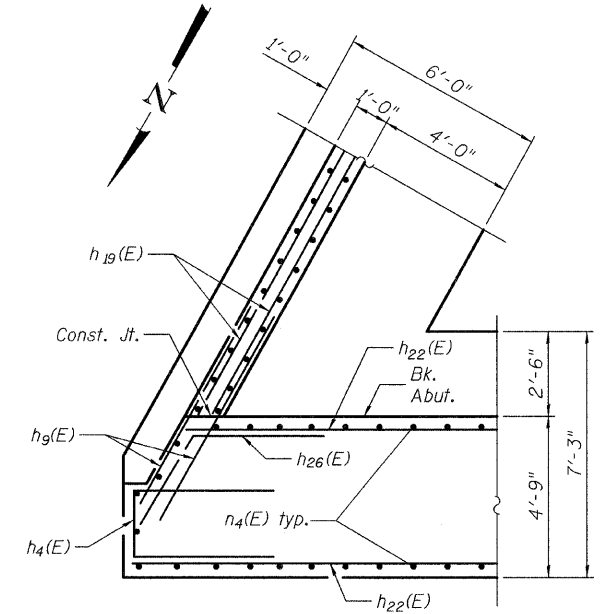


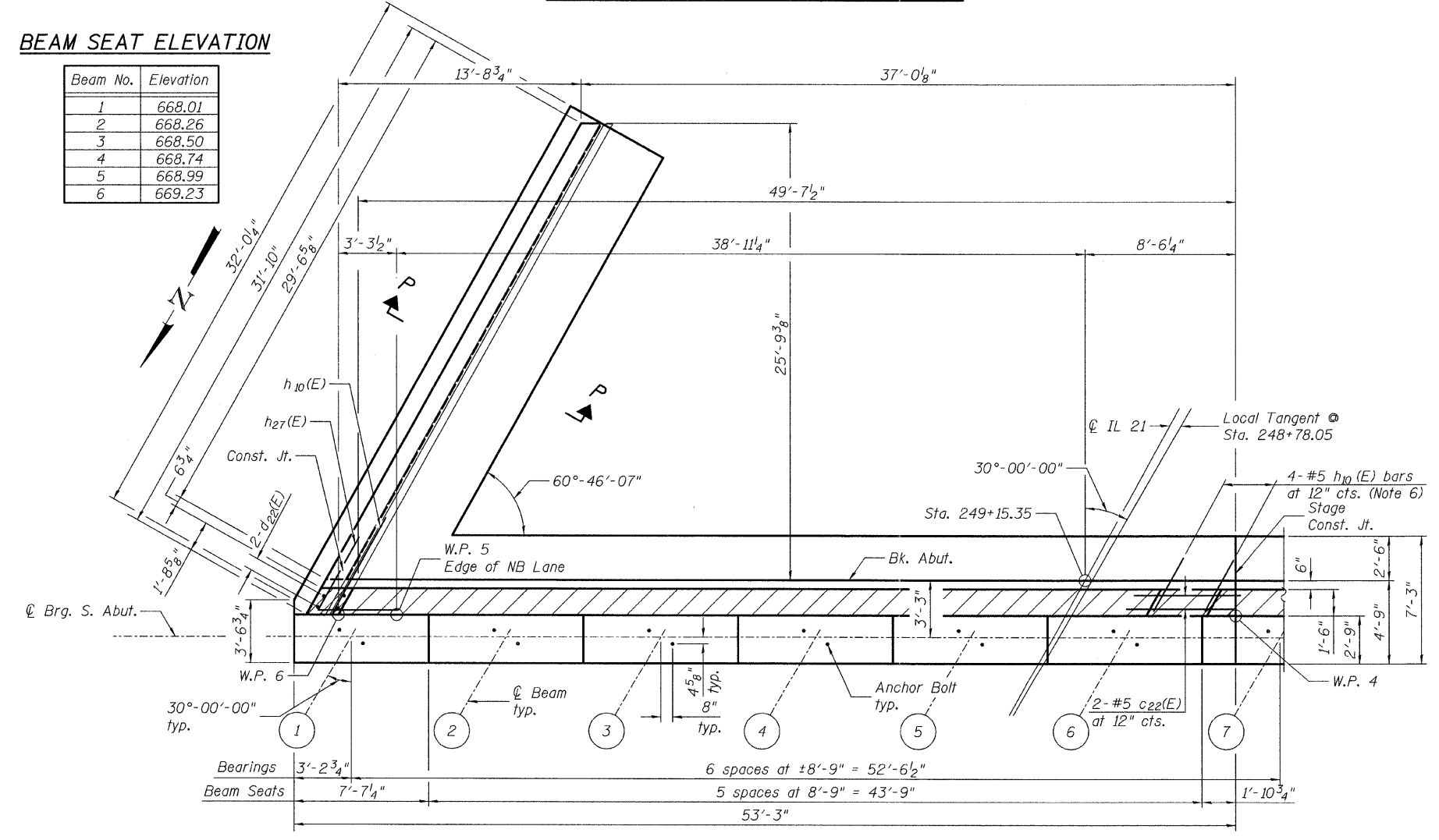
SOUTH ABUTMENT STAGE II ELEVATION



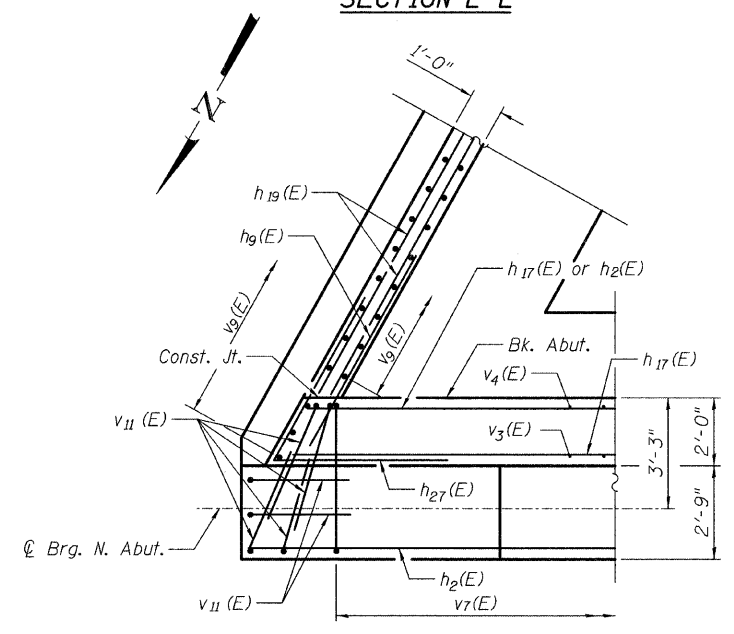
SECTION L-L

BEAM SEAT ELEVATION

Beam No.	Elevation
1	668.01
2	668.26
3	668.50
4	668.74
5	668.99
6	669.23



SOUTH ABUTMENT STAGE II PLAN VIEW



SECTION M-M

- Notes:
1. See Section H-H on sheet 35 of 43.
 2. See Section P-P on sheet 37 of 43.
 3. Hatched area to be poured after superstructure false work has been removed. Quantity of concrete included with Concrete Superstructure.
 4. Space reinforcement in cap to miss anchor bolts.
 5. Pour steps monolithically with cap.
 6. Place bar splicer (E), v4(E) and h10(E) bars parallel to beams. Alternate bar splicer with v4(E) bars.
 - * 7. Field cut v7(E) bars at the east corner to fit.
 8. Min. lap splice for #5 bar is 2'-11" and #6 bar is 3'-6" unless noted otherwise.

