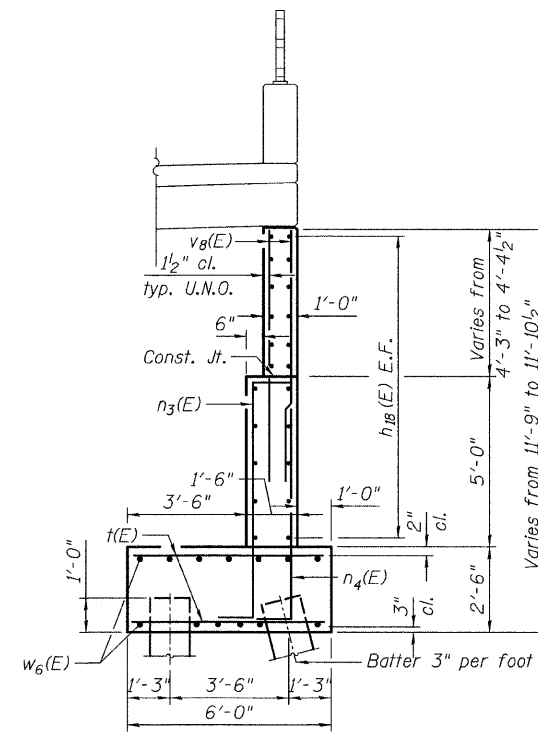
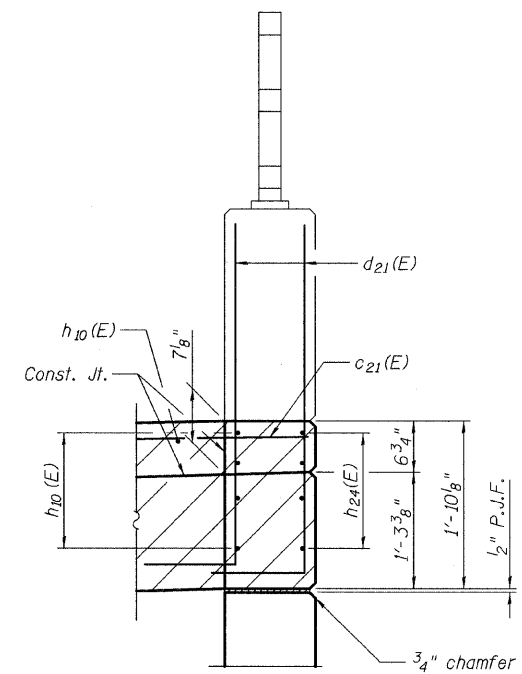


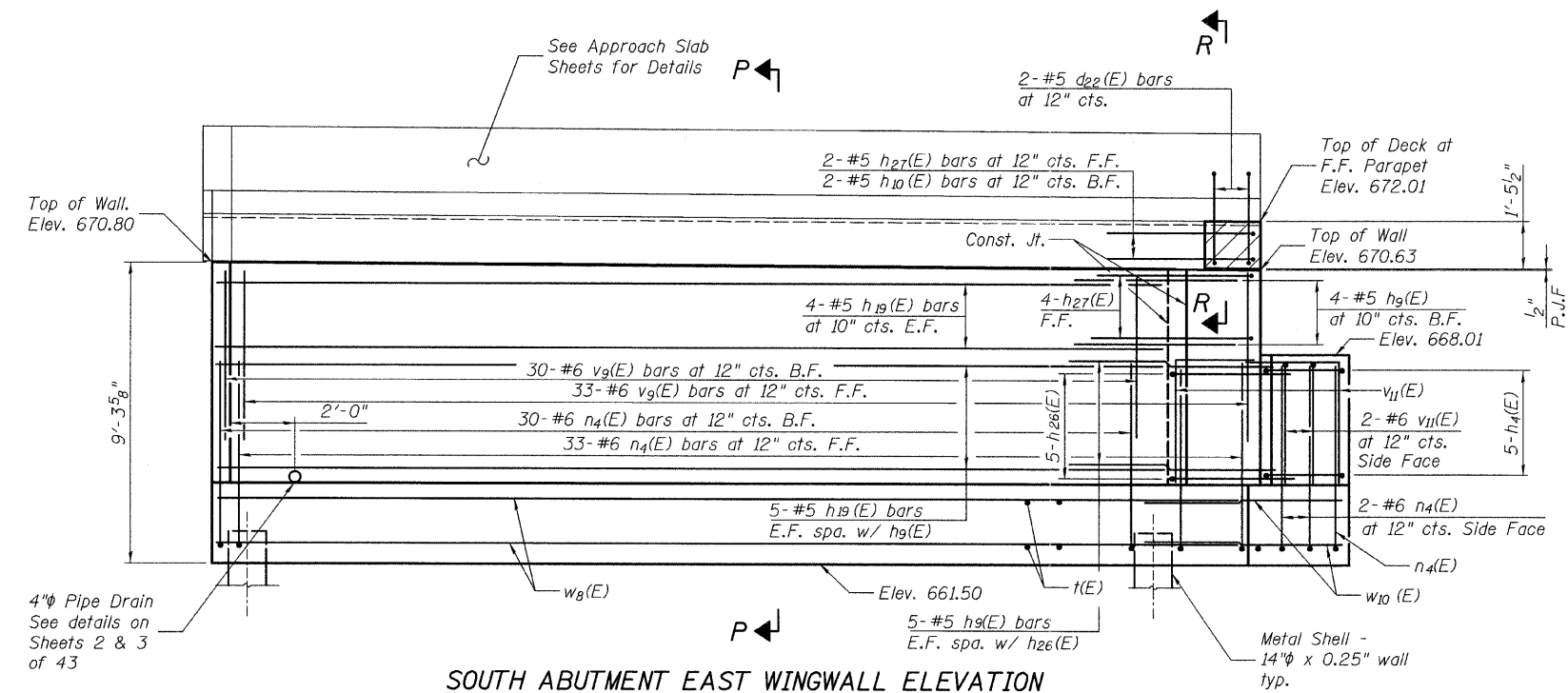
SOUTH ABUTMENT WEST WINGWALL ELEVATION
(Looking East)



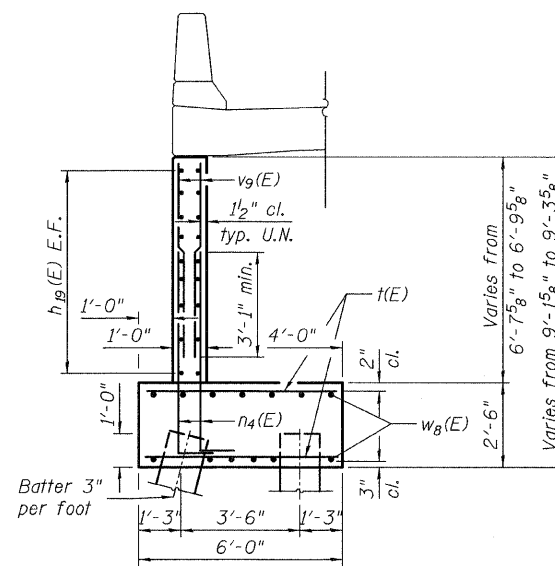
SECTION N-N



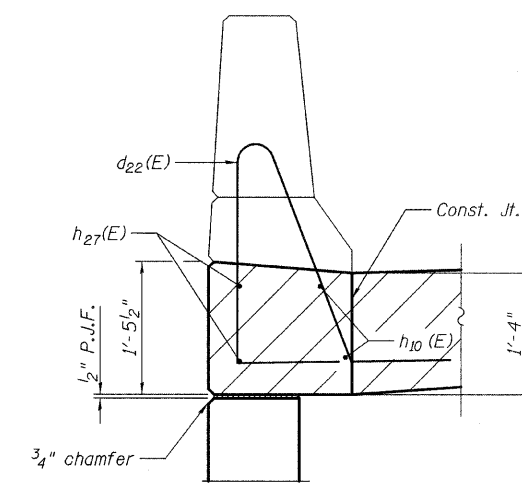
SECTION Q-Q



SOUTH ABUTMENT EAST WINGWALL ELEVATION
(Looking West)



SECTION P-P



SECTION R-R

FILE NAME = 2498199-68953-837-S.Abut.WW.dgn	USER NAME =	DESIGNED - JY	REVISED -
PLOT SCALE =	PLOT DATE = 12/28/2010	CHECKED - RMK	REVISED -
		DRAWN - JY	REVISED -
		CHECKED - RMK	REVISED -

STATE OF ILLINOIS
DEPARTMENT OF TRANSPORTATION

SOUTH ABUTMENT WINGWALL
STRUCTURE NO. 049-0199

F.A.P. RTE. 330	SECTION 128R-3	COUNTY LAKE	TOTAL SHEETS 518	SHEET NO. 279
CONTRACT NO. 60953				
ILLINOIS FED. AID PROJECT				

SHEET NO. 37 OF 43 SHEETS

