

STANDARD BAR SPLICER ASSEMBLY

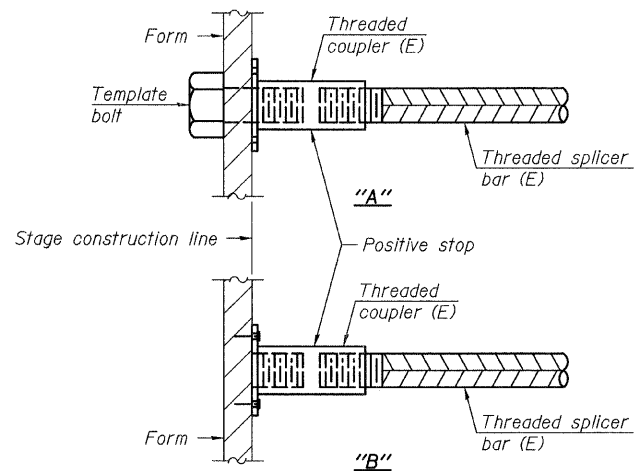
Minimum Lap Lengths					
Bar size to be spliced	Table 1	Table 2	Table 3	Table 4	Table 5
3, 4	1'-5"	1'-11"	2'-1"	2'-4"	2'-3"
5	1'-9"	2'-5"	2'-7"	2'-11"	2'-10"
6	2'-1"	2'-11"	3'-1"	3'-6"	3'-4"
7	2'-9"	3'-10"	4'-2"	4'-8"	4'-6"
8	3'-8"	5'-1"	5'-5"	6'-2"	5'-10"
9	4'-7"	6'-5"	6'-10"	7'-9"	7'-5"

- Table 1: Black bar, 0.8 Class C
- Table 2: Black bar, Top bar lap, 0.8 Class C
- Table 3: Epoxy bar, 0.8 Class C
- Table 4: Epoxy bar, Top bar lap, 0.8 Class C
- Table 5: Epoxy bar, Top bar lap, Class B

Threaded splicer bar length = min. lap length + 1 1/2" + thread length

* Epoxy not required on Bar Splicer Assembly components used in conjunction with black bars.

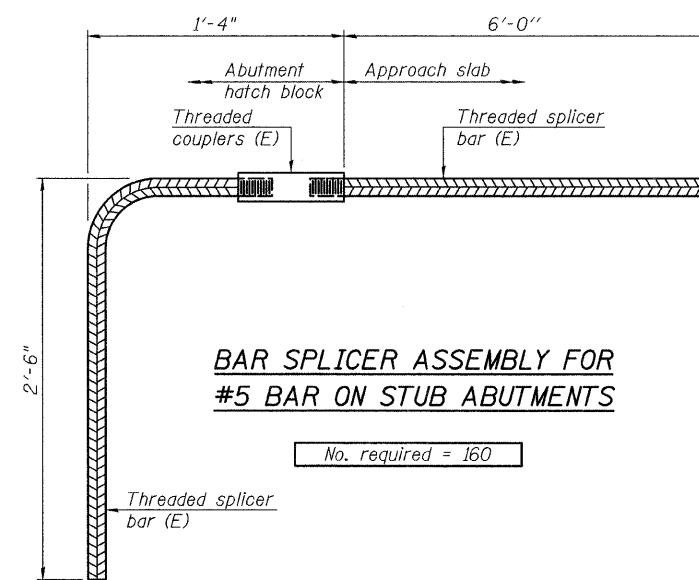
Location	Bar size	No. assemblies required	Table for minimum lap length
N. Abut. Footing Top	#6	8	4
N. Abut. Footing Bottom	#6	7	3
N. Abut. Stem	#6	14	4
N. Abut. Backwall	#5	13	5
S. Abut. Footing Top	#6	8	4
S. Abut. Footing Bottom	#6	7	3
S. Abut. Stem	#6	10	4
S. Abut. Backwall	#5	13	5
N. Appr. Slab Top	#4	24	4
N. Appr. Slab Bottom	#5	45	3
N. Appr. Slab Footing	#5	40	3
S. Appr. Slab Top	#4	24	4
S. Appr. Slab Bottom	#5	45	3
S. Appr. Slab Footing	#5	40	3
Deck Top	#5	148	3
Deck Bottom	#5	91	3
Deck Top	#6	14	4
Deck Bottom	#6	2	3



INSTALLATION AND SETTING METHODS

- "A" : Set bar splicer assembly by means of a template bolt.
- "B" : Set bar splicer assembly by nailing to wood forms or cementing to steel forms.

(E) : Indicates epoxy coating.



BAR SPLICER ASSEMBLY FOR #5 BAR ON STUB ABUTMENTS

No. required = 160

NOTES

- Splicer bars shall be deformed with threaded ends and have a minimum 60 ksi yield strength.
- All reinforcement shall be lapped and tied to the splicer bars.
- Bar splicer assemblies shall be epoxy coated according to the requirements for reinforcement bars. See Section 508 of the Standard Specifications.
- See special provision for Mechanical Splicers.
- See approved list of bar splicer assemblies and mechanical splicers for alternatives.



FILE NAME = 2498199-60953-039-Bar-Splicer.dgn	USER NAME =	DESIGNED - JY	REVISED -	STATE OF ILLINOIS DEPARTMENT OF TRANSPORTATION	BAR SPLICER DETAILS STRUCTURE NO. 049-0199	F.A.P. RTE. 330	SECTION 128R-3	COUNTY LAKE	TOTAL SHEETS 518	SHEET NO. 281
PLOT SCALE =	DRAWN - JY	REVISED -	CONTRACT NO. 60953							
PLOT DATE = 12/20/2010	CHECKED - RMK	REVISED -	ILLINOIS FED. AID PROJECT							
SHEET NO. 39 OF 43 SHEETS										