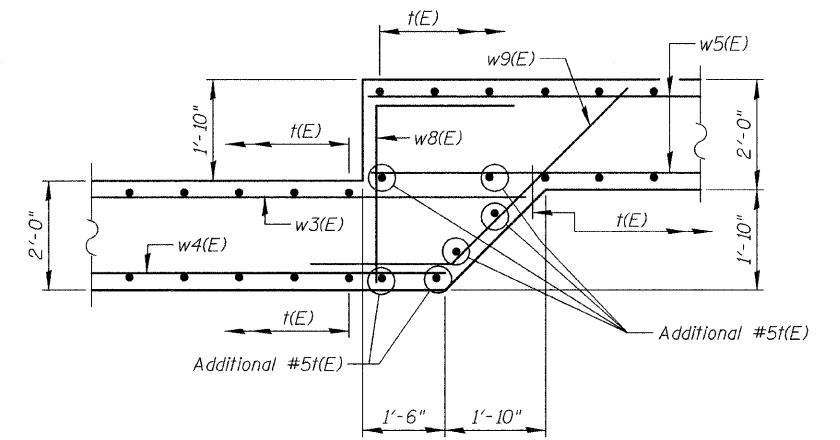


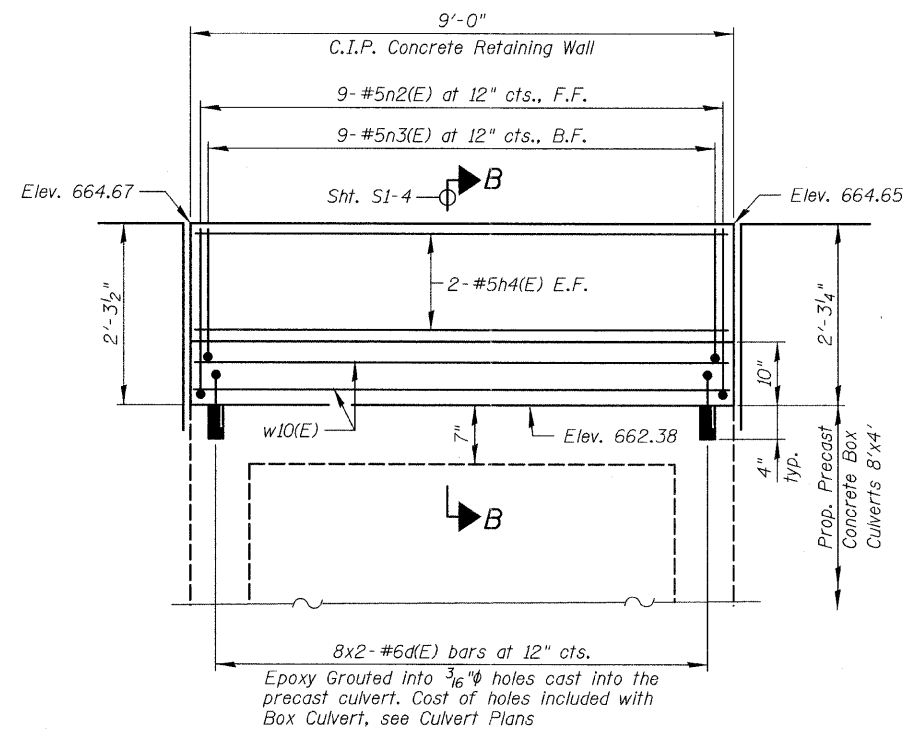
DETAIL "A"



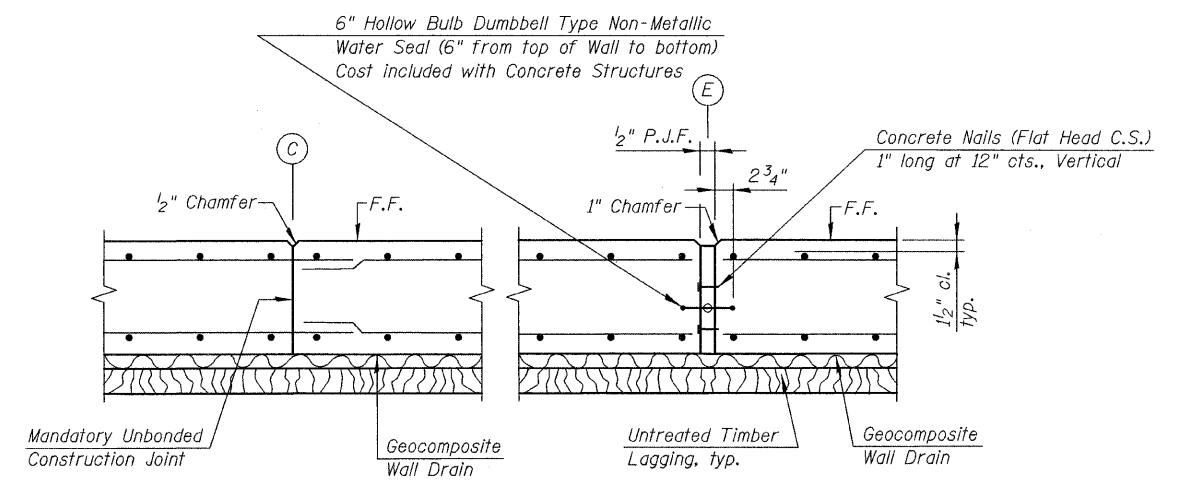
DETAIL "B"

LEGEND:

- B.F. = Back Face
- F.F. = Front Face
- E.F. = Each Face
- C.I.P. = Cast-In-Place



ELEVATION C-C



CONSTRUCTION JOINT

EXPANSION JOINT

JOINT DETAILS FOR CAST-IN-PLACE T-TYPE WALLS

**RETAINING WALL DETAILS
STRUCTURE NO. 049-W017**



FILE NAME = D168953-05-ret_wall.det.dgn	USER NAME =	DESIGNED - J.C.N./B.N.S.	REVISED -	STATE OF ILLINOIS DEPARTMENT OF TRANSPORTATION	RETAINING WALL DETAILS STRUCTURE NO. 049-W017	F.A.P. RTE. = 330	SECTION = 128R-3	COUNTY = LAKE	TOTAL SHEETS = 518	SHEET NO. = 290		
PLOT SCALE =	CHECKED - B.N.S.	REVISOR -				SHEET NO. S1-5 OF S1-8 SHEETS		CONTRACT NO. 60953				
PLOT DATE =	DRAWN - F.M.	REVISOR -				ILLINOIS FED. AID PROJECT						
	CHECKED - B.N.S./J.C.N.	REVISOR -										