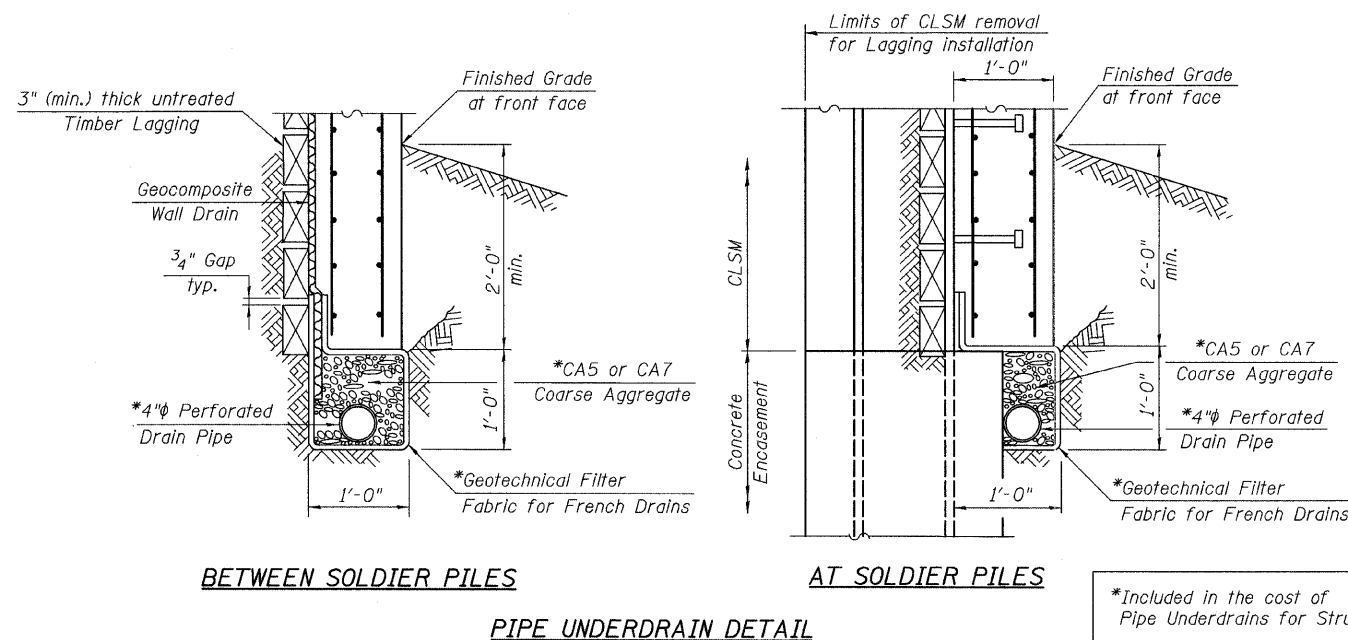
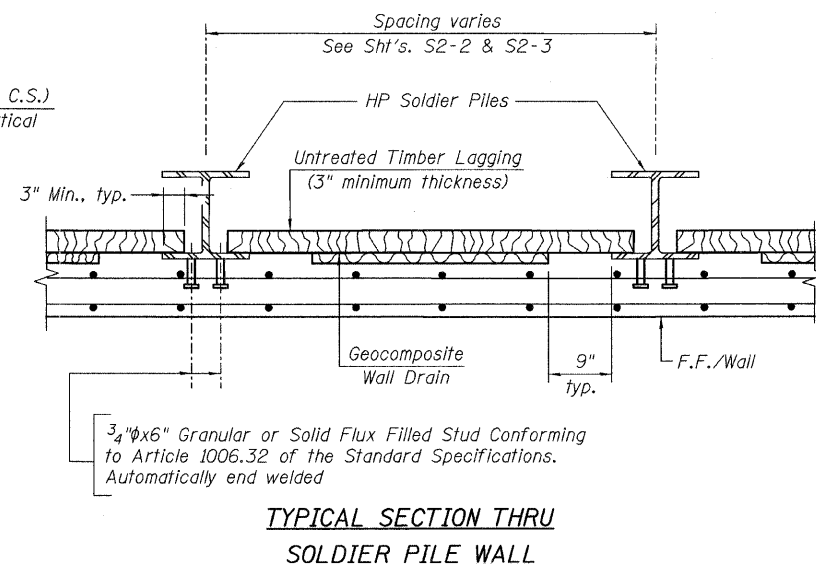
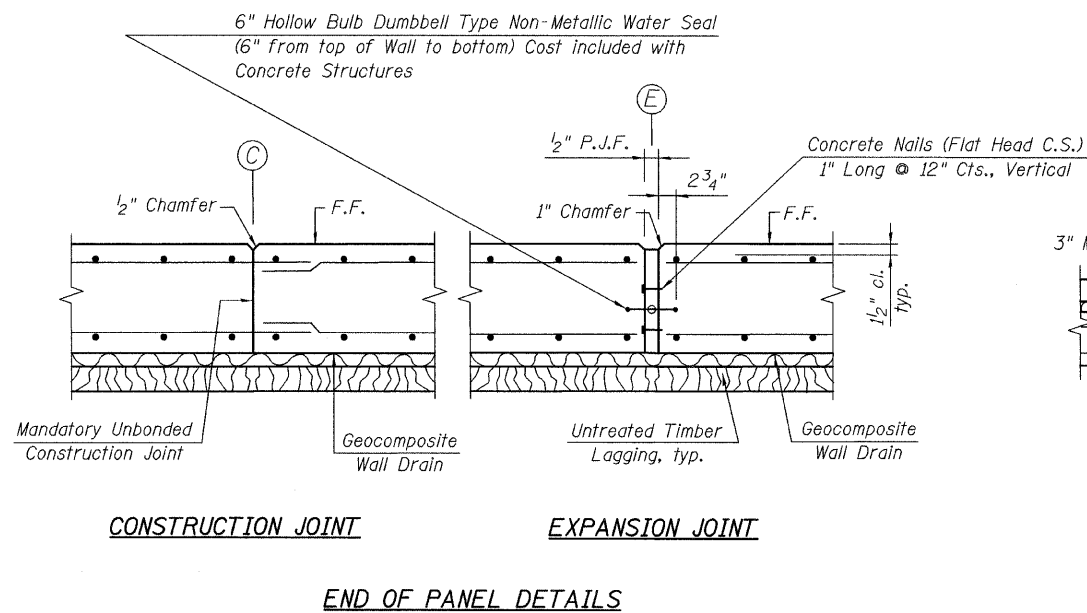


SOLDIER PILE RETAINING WALL NO. 2
SOLDIER PILE SCHEDULE

PILE NO.	PILE SIZE	TOP/PILE ELEV.	TIP/PILE ELEV.	APPROX. PILE LENGTH (FT.)	NO. STUD PER PILE	STUD SPACING
1	HP 14x 73	659.61	641.90	17.71	2 x 5 = 10	4 SPA. @ 4.50 IN = 1'- 6 "
2	HP 14x 73	661.14	641.90	19.24	2 x 9 = 18	8 SPA. @ 4.50 IN = 3'- 0 "
3	HP 14x 73	662.67	641.90	20.77	2 x 12 = 24	11 SPA. @ 4.75 IN = 4'- 4 "
4	HP 14x 73	662.98	641.90	21.08	2 x 13 = 26	12 SPA. @ 4.75 IN = 4'- 9 "
5	HP 14x 73	662.94	641.90	21.04	2 x 13 = 26	12 SPA. @ 4.75 IN = 4'- 9 "
6	HP 14x 73	662.91	641.90	21.01	2 x 13 = 26	12 SPA. @ 4.75 IN = 4'- 9 "
7	HP 14x 73	662.87	641.90	20.97	2 x 13 = 26	12 SPA. @ 4.75 IN = 4'- 9 "
8	HP 14x 73	662.83	641.90	20.93	2 x 13 = 26	12 SPA. @ 4.75 IN = 4'- 9 "
9	HP 14x 73	662.80	641.90	20.90	2 x 13 = 26	12 SPA. @ 4.50 IN = 4'- 6 "
10	HP 14x 73	662.76	641.90	20.86	2 x 13 = 26	12 SPA. @ 4.50 IN = 4'- 6 "
11	HP 14x 73	662.72	641.90	20.82	2 x 13 = 26	12 SPA. @ 4.50 IN = 4'- 6 "
12	HP 14x 73	662.69	641.90	20.79	2 x 13 = 26	12 SPA. @ 4.50 IN = 4'- 6 "
13	HP 14x 73	662.65	641.90	20.75	2 x 12 = 24	11 SPA. @ 4.75 IN = 4'- 4 "
14	HP 14x 73	662.62	641.90	20.72	2 x 12 = 24	11 SPA. @ 4.75 IN = 4'- 4 "
15	HP 14x 73	662.40	641.90	20.50	2 x 12 = 24	11 SPA. @ 4.75 IN = 4'- 4 "
16	HP 14x 73	661.26	641.90	19.36	2 x 9 = 18	8 SPA. @ 4.75 IN = 3'- 2 "
17	HP 14x 73	660.12	641.90	18.22	2 x 6 = 12	5 SPA. @ 4.75 IN = 1'- 11 "
				TOTAL	346	388



*Included in the cost of Pipe Underdrains for Structures 4"



SOLDIER PILE SCHEDULE & DETAILS
STRUCTURE NO. 049-W018



FILE NAME = D168953-06-sched_det.dgn	USER NAME =	DESIGNED - J.C.N./B.N.S.	REVISIONS -	STATE OF ILLINOIS DEPARTMENT OF TRANSPORTATION	SOLDIER PILE SCHEDULE & DETAILS STRUCTURE NO. 049-W018	F.A.P. RTE. = 330	SECTION = 128R-3	COUNTY = LAKE	TOTAL SHEETS = 518	SHEET NO. = 298
PLOT SCALE =	DRAWN - F.M.	REVISIONS -	CONTRACT NO. 60953							
PLOT DATE =	CHECKED - B.N.S./J.C.N.	REVISIONS -	SHEET NO. S2-5 OF S2-7 SHEETS							
						ILLINOIS FED. AID PROJECT				