

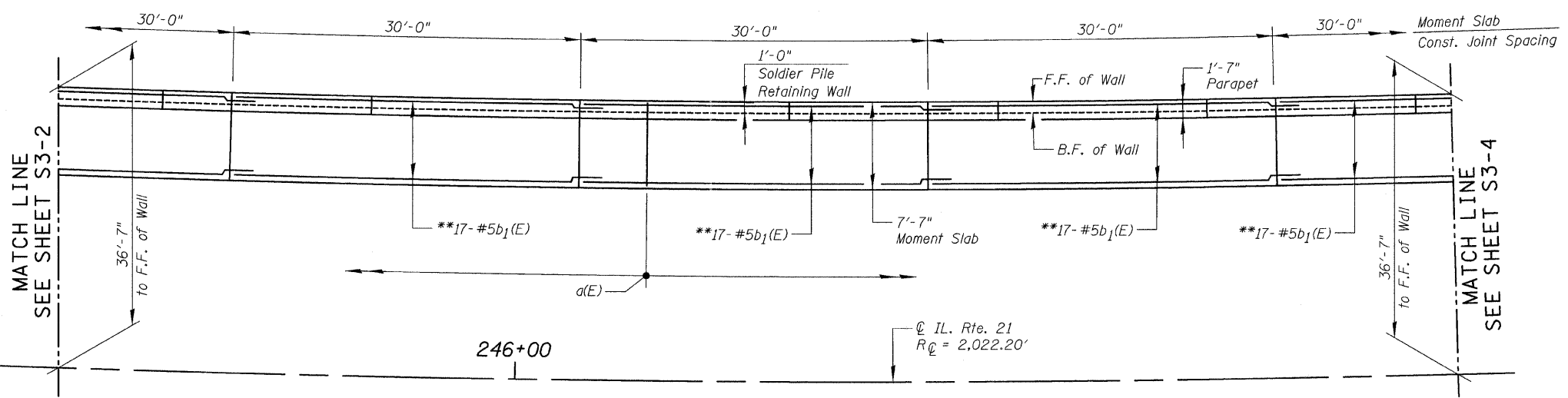
LEGEND:
 E.F. = Each Face
 F.F. = Front Face
 B.F. = Back Face
 C.I.P. = Cast-In-Place
 [1] = Panel Numbers
 (1) = Pile Numbers

MIN. BAR LAP:
 #5 bars = 2'-6"
 #6 bars = 3'-0"
 #8 bars = 5'-2"

NOTE:
 For Pile Tip Elevations, see
 Soldier Pile Schedule, Sht. S3-6

17 HP 14x89 Pile spa. at 8'-0" = 136'-0" 6'-2" 28 HP 14x89 Pile spa. at 6'-2" = 172'-8"

ELEVATION
 (Looking B.F. of Wall)



PLAN

PLAN & ELEVATION-II
STRUCTURE NO. 049-W019



FILE NAME = 0160953-03-plan.elev-II.dgn	USER NAME =	DESIGNED - J.C.N./B.N.S.	REVISED -	STATE OF ILLINOIS DEPARTMENT OF TRANSPORTATION	PLAN & ELEVATION-II STRUCTURE NO. 049-W019	F.A.P. RTE. = 330	SECTION = 128R-3	COUNTY = LAKE	TOTAL SHEETS = 518	SHEET NO. = 303
PLOT SCALE =	CHECKED - B.N.S.	REVISED -	SHEET NO. S3-3 OF S3-9 SHEETS			CONTRACT NO. 60953				
PLOT DATE =	DRAWN - F.M.	REVISED -	ILLINOIS FED. AID PROJECT							
	CHECKED - B.N.S./J.C.N.	REVISED -								