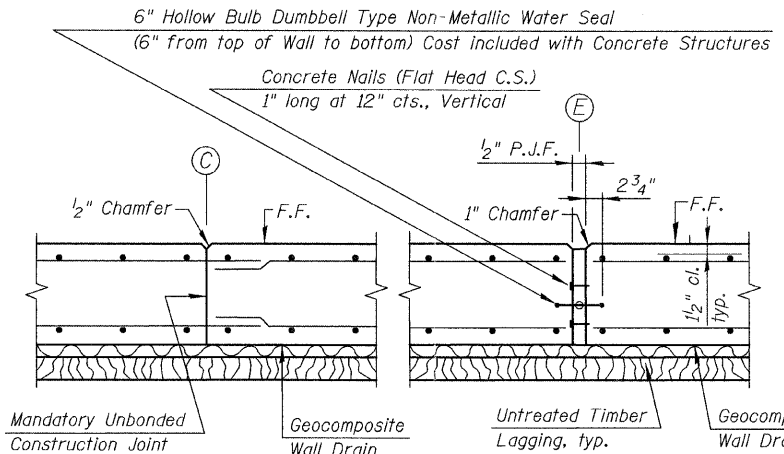
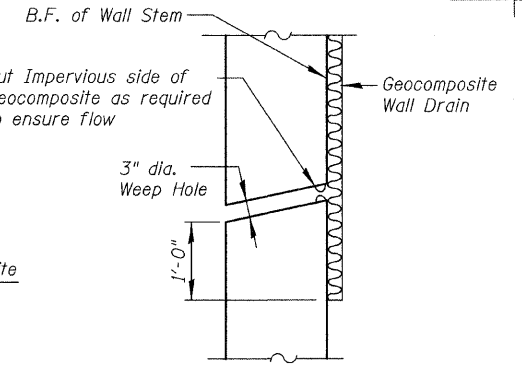


**LEGEND:**  
 F.F. = Front Face  
 B.F. = Back Face



**CONSTRUCTION JOINT      EXPANSION JOINT**  
**JOINT DETAILS FOR CAST-IN-PLACE T-TYPE WALLS**



**WEEP HOLE DRAIN DETAIL**

**SECTION C-C**

**RETAINING WALL SECTIONS  
 STRUCTURE NO. 049-W020**



**CHRISTIAN-ROGE &  
 ASSOCIATES, INC.**

FILE NAME = D168953-03-ret.wall.sect.dgn	USER NAME =	DESIGNED - J.C.N./B.N.S.	REVISED -	<b>STATE OF ILLINOIS DEPARTMENT OF TRANSPORTATION</b>	<b>RETAINING WALL SECTIONS STRUCTURE NO. 049-W020</b>	F.A.P. RTE. = 330	SECTION = 128R-3	COUNTY = LAKE	TOTAL SHEETS = 518	SHEET NO. = 312
PLOT SCALE =	DRAWN - F.M.	REVISED -	SHEET NO. S4-3 OF S4-5 SHEETS			CONTRACT NO. 60953				
PLOT DATE =	CHECKED - B.N.S./J.C.N.	REVISED -	ILLINOIS FED. AID PROJECT							