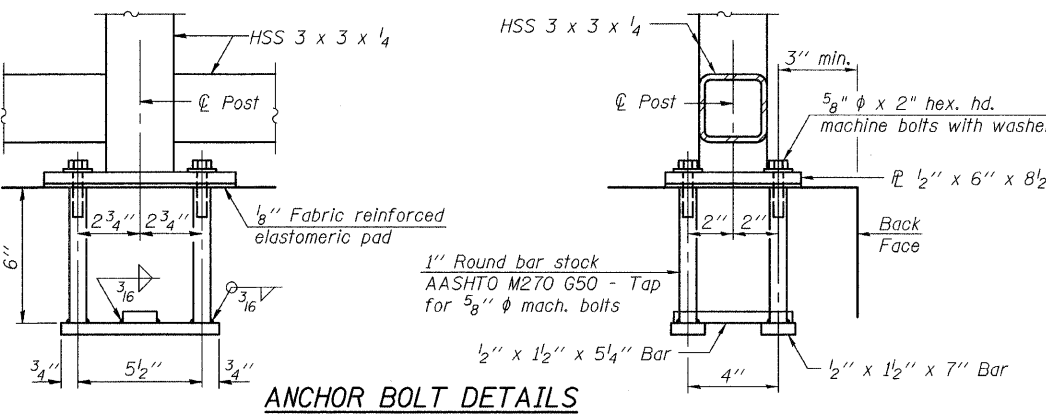
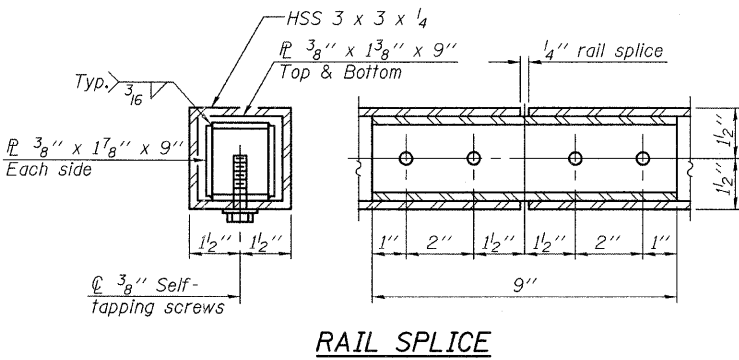
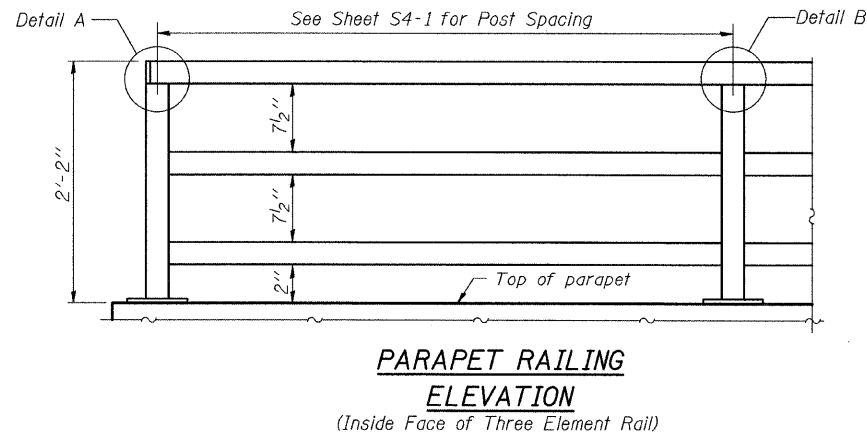
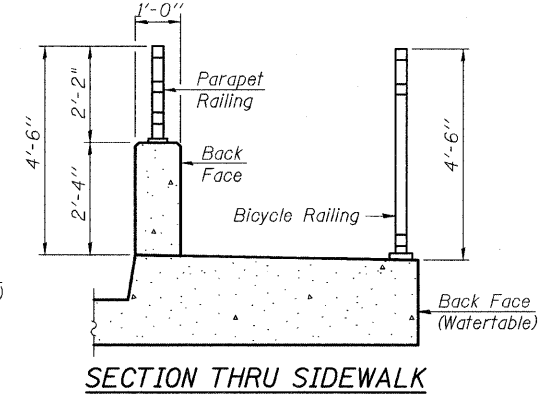
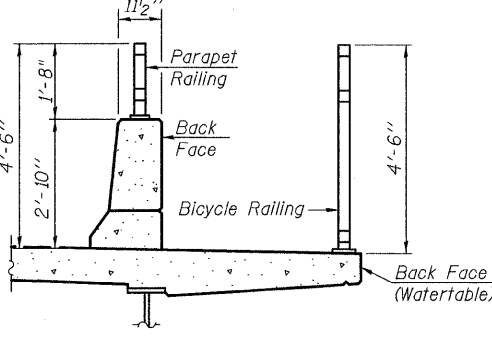
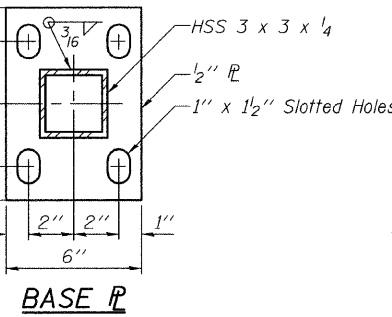
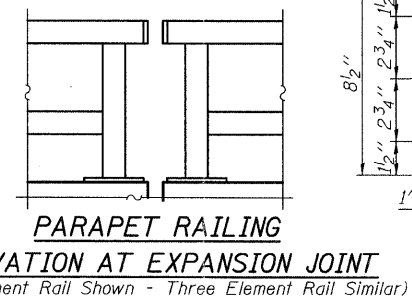
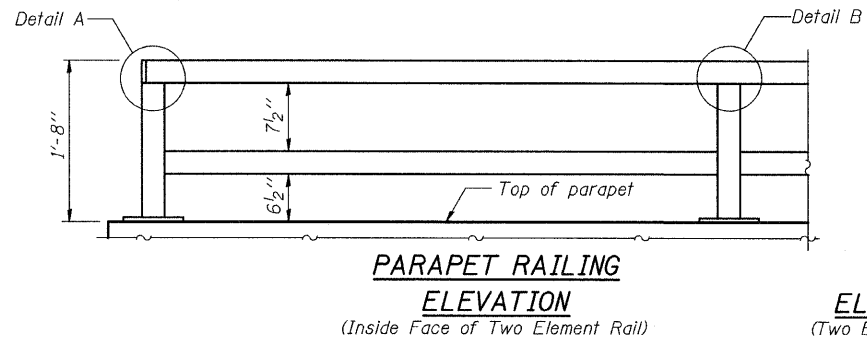


All steel rail elements shall be galvanized according to Article 509.05 of the Standard Specifications.



In lieu of the cast-in-place anchor device shown, the Contractor has the option of drilling and setting 5/8" anchor rods according to Article 509.06 of the Standard Specifications. Embedment shall be according to the manufacturer's specifications.

BILL OF MATERIAL

Item	Unit	Quantity
Parapet Railing	Foot	43

PARAPET RAILING STRUCTURE NO. 049-W020



R-29 7-1-10 (10'-0" Maximum Post Spacing)

FILE NAME = D168953-04-par_railing.dgn	USER NAME =	DESIGNED - J.C.N./B.N.S.	REVISIONS -	STATE OF ILLINOIS DEPARTMENT OF TRANSPORTATION	PARAPET RAILING STRUCTURE NO. 049-W020	F.A.P. RTE. = 330	SECTION = 128R-3	COUNTY = LAKE	TOTAL SHEETS = 518	SHEET NO. = 313
PLOT SCALE =	DRAWN - F.M.	REVISIONS -	SHEET NO. S4-4 OF S4-5 SHEETS			CONTRACT NO. 60953				
PLOT DATE =	CHECKED - B.N.S./J.C.N.	REVISIONS -	ILLINOIS FED. AID PROJECT							