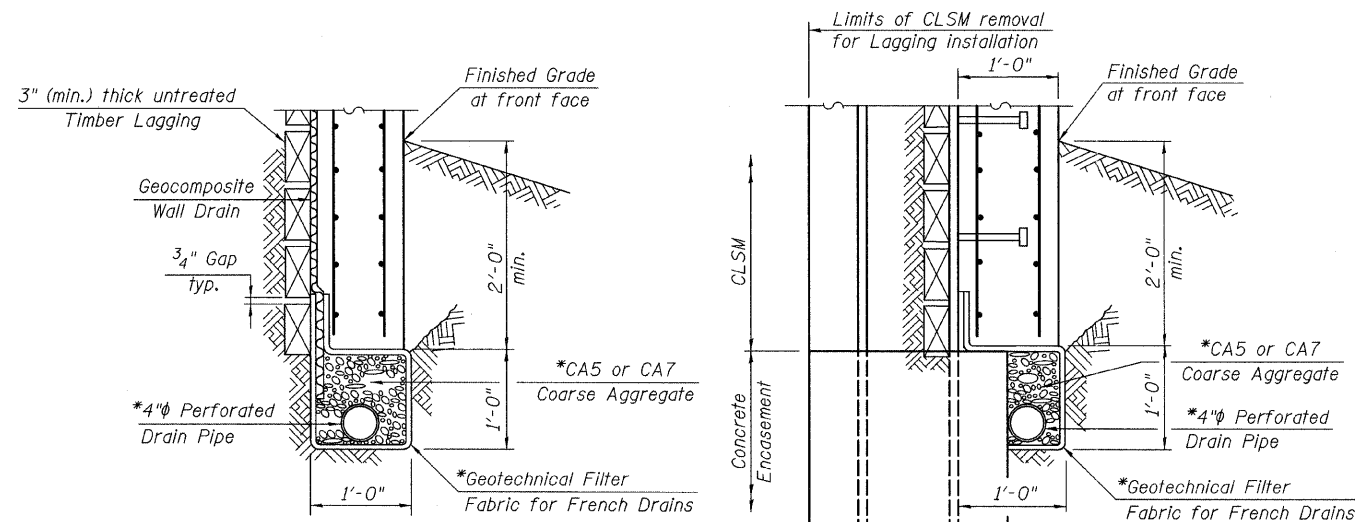


SOLDIER PILE RETAINING WALL NO. 5
SOLDIER PILE SCHEDULE

PILE NO.	PILE SIZE	TOP/PILE ELEV.	TIP/PILE ELEV.	APPROX. PILE LENGTH (FT.)	NO. STUD PER PILE	STUD SPACING
1	HP14x89	672.41	656.29	16.13	2 x 20 = 40	19 SPA. @ 4.75 IN = 7'- 6"
2	HP14x89	672.47	654.70	17.77	2 x 21 = 42	20 SPA. @ 4.63 IN = 7'- 8"
3	HP14x89	672.54	653.12	19.42	2 x 21 = 42	20 SPA. @ 4.75 IN = 7'- 11"
4	HP14x89	672.60	651.54	21.06	2 x 21 = 42	20 SPA. @ 4.75 IN = 7'- 11"
5	HP14x89	672.66	649.95	22.71	2 x 21 = 42	20 SPA. @ 4.75 IN = 7'- 11"
				TOTAL	97	208

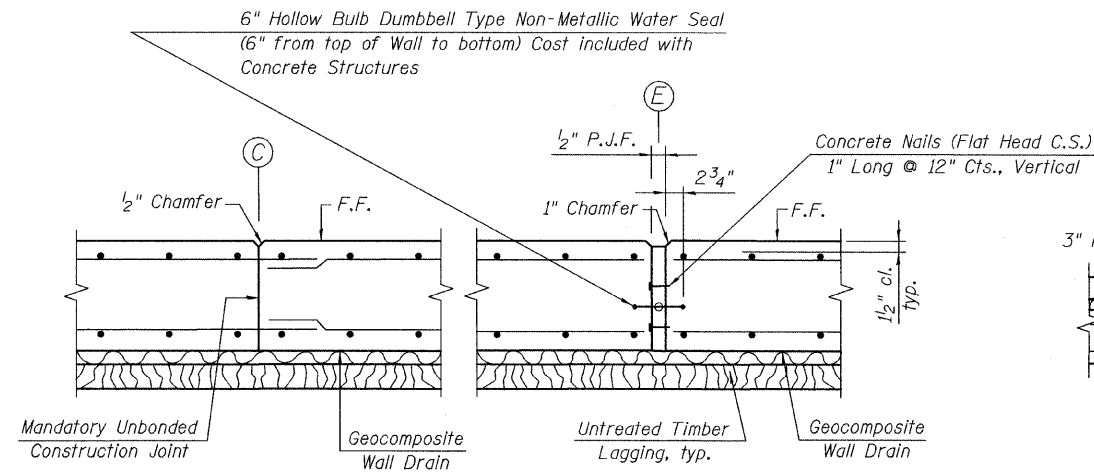


BETWEEN SOLDIER PILES

AT SOLDIER PILES

PIPE UNDERDRAIN DETAIL

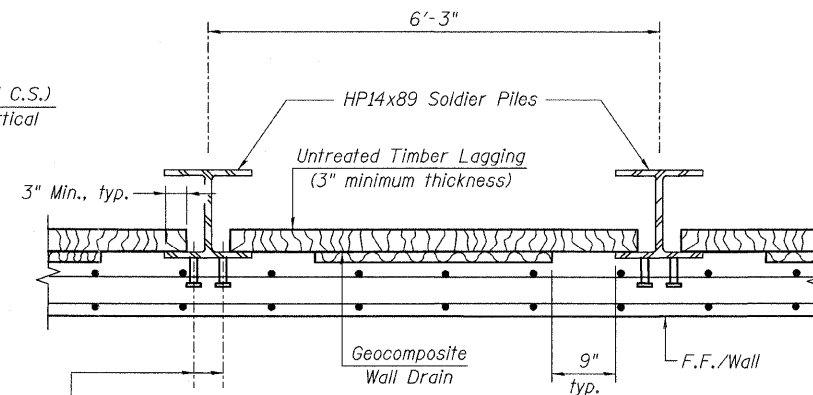
*Included in the cost of Pipe Underdrains for Structures 4"



CONSTRUCTION JOINT

EXPANSION JOINT

END OF PANEL DETAILS



TYPICAL SECTION THRU SOLDIER PILE WALL

3/4" x 6" Granular or Solid Flux Filled Stud Conforming to Article 1006.32 of the Standard Specifications. Automatically end welded

SOLDIER PILE SCHEDULE & DETAILS
STRUCTURE NO. 049-W021



FILE NAME = D168953-04-sched_det.dgn	USER NAME =	DESIGNED - J.C.N./B.N.S.	REVISED -	STATE OF ILLINOIS DEPARTMENT OF TRANSPORTATION	SOLDIER PILE SCHEDULE & DETAILS STRUCTURE NO. 049-W021	F.A.P. RTE. 330	SECTION 128R-3	COUNTY LAKE	TOTAL SHEETS 518	SHEET NO. 318
PLOT SCALE =	CHECKED - B.N.S.	REVISED -	SHEET NO. 55-4 OF 55-6 SHEETS			CONTRACT NO. 60953				
PLOT DATE =	DRAWN - F.M.	REVISED -	ILLINOIS FED. AID PROJECT							
	CHECKED - B.N.S./J.C.N.	REVISED -								