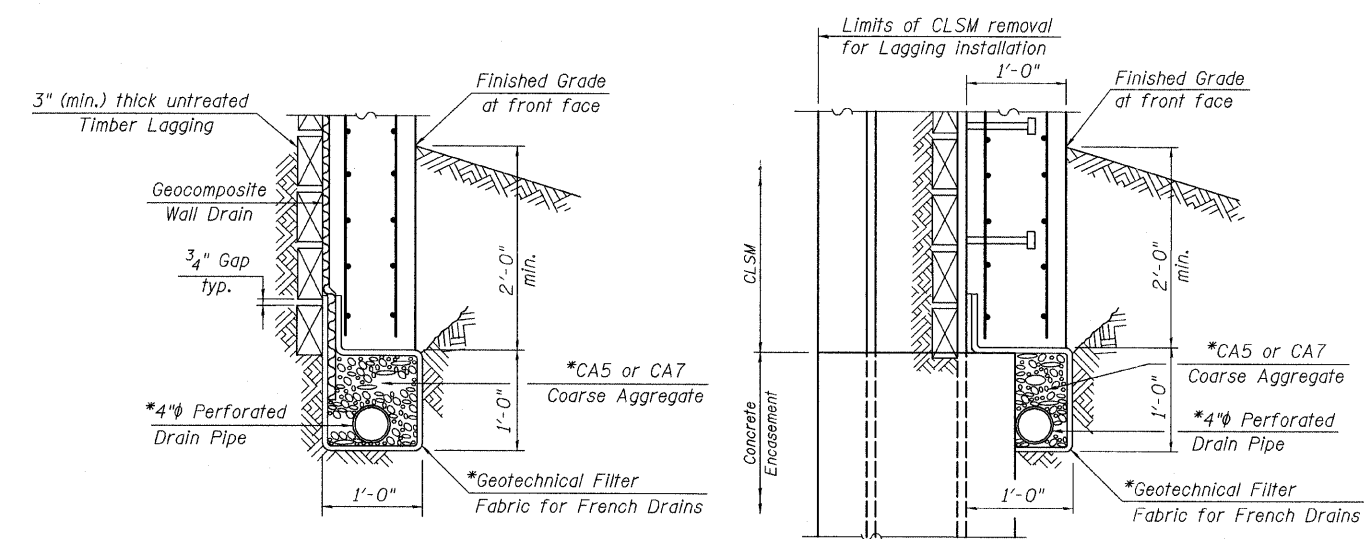


SOLDIER PILE RETAINING WALL NO. 6
SOLDIER PILE SCHEDULE

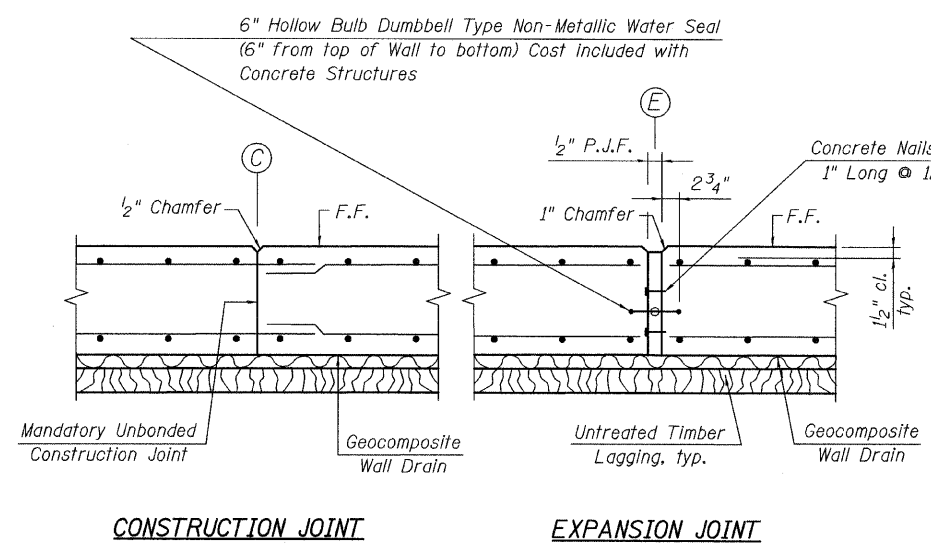


BETWEEN SOLDIER PILES **AT SOLDIER PILES**

PIPE UNDERDRAIN DETAIL

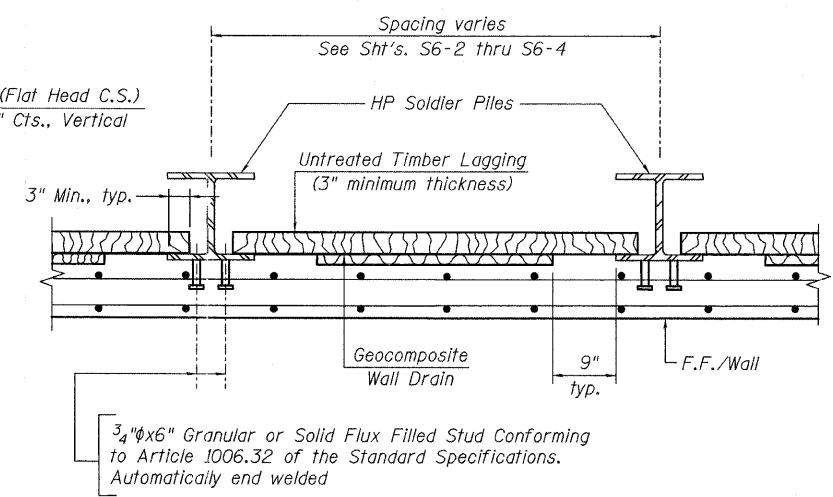
*Included in the cost of Pipe Underdrains for Structures 4"

PILE NO.	PILE SIZE	TOP/PILE ELEV.	TIP/PILE ELEV.	APPROX. PILE LENGTH (FT.)	NO. STUD PER PILE	STUD SPACING
1	HP 14x 89	673.35	647.35	26.00	2 x 22 = 44	21 SPA. @ 5.00 IN = 8'- 9"
2	HP 14x 89	673.39	647.53	25.86	2 x 22 = 44	21 SPA. @ 5.00 IN = 8'- 9"
3	HP 14x 89	673.42	647.71	25.71	2 x 22 = 44	21 SPA. @ 5.00 IN = 8'- 9"
4	HP 14x 89	673.46	647.89	25.57	2 x 22 = 44	21 SPA. @ 5.00 IN = 8'- 9"
5	HP 14x 89	673.50	648.07	25.43	2 x 22 = 44	21 SPA. @ 5.00 IN = 8'- 9"
6	HP 14x 89	673.53	648.25	25.28	2 x 22 = 44	21 SPA. @ 5.00 IN = 8'- 9"
7	HP 14x 89	673.57	648.43	25.14	2 x 22 = 44	21 SPA. @ 5.00 IN = 8'- 9"
8	HP 14x 89	673.61	648.61	25.00	2 x 22 = 44	21 SPA. @ 5.00 IN = 8'- 9"
9	HP 14x 73	673.64	651.54	22.10	2 x 18 = 36	17 SPA. @ 5.25 IN = 7'- 5"
10	HP 14x 73	673.68	651.60	22.08	2 x 18 = 36	17 SPA. @ 5.25 IN = 7'- 5"
11	HP 14x 73	673.72	651.66	22.06	2 x 18 = 36	17 SPA. @ 5.25 IN = 7'- 5"
12	HP 14x 73	673.75	651.72	22.03	2 x 18 = 36	17 SPA. @ 5.25 IN = 7'- 5"
13	HP 14x 73	673.79	651.79	22.01	2 x 18 = 36	17 SPA. @ 5.25 IN = 7'- 5"
14	HP 14x 73	673.83	651.85	21.98	2 x 18 = 36	17 SPA. @ 5.50 IN = 7'- 9"
15	HP 14x 73	673.86	651.91	21.96	2 x 18 = 36	17 SPA. @ 5.50 IN = 7'- 9"
16	HP 14x 73	673.90	651.97	21.93	2 x 18 = 36	17 SPA. @ 5.50 IN = 7'- 9"
17	HP 14x 73	673.94	652.03	21.91	2 x 18 = 36	17 SPA. @ 5.50 IN = 7'- 9"
18	HP 14x 73	673.97	652.09	21.88	2 x 18 = 36	17 SPA. @ 5.50 IN = 7'- 9"
19	HP 14x 73	674.01	652.16	21.86	2 x 18 = 36	17 SPA. @ 5.50 IN = 7'- 9"
20	HP 14x 73	674.05	652.22	21.83	2 x 18 = 36	17 SPA. @ 5.50 IN = 7'- 9"
21	HP 14x 73	674.13	652.28	21.85	2 x 18 = 36	17 SPA. @ 5.00 IN = 7'- 1"
22	HP 14x 73	674.21	652.34	21.87	2 x 18 = 36	17 SPA. @ 5.25 IN = 7'- 5"
23	HP 14x 73	674.29	652.40	21.89	2 x 18 = 36	17 SPA. @ 5.25 IN = 7'- 5"
24	HP 14x 73	674.37	652.46	21.91	2 x 18 = 36	17 SPA. @ 5.25 IN = 7'- 5"
25	HP 14x 73	674.45	652.52	21.93	2 x 18 = 36	17 SPA. @ 5.50 IN = 7'- 9"
26	HP 14x 73	674.53	652.59	21.95	2 x 18 = 36	17 SPA. @ 5.50 IN = 7'- 9"
27	HP 14x 73	674.62	652.65	21.97	2 x 18 = 36	17 SPA. @ 5.50 IN = 7'- 9"
28	HP 14x 73	674.70	652.71	21.99	2 x 18 = 36	17 SPA. @ 5.50 IN = 7'- 9"
29	HP 14x 73	674.78	661.02	13.75	2 x 18 = 36	17 SPA. @ 5.50 IN = 7'- 9"
30	HP 14x 73	674.86	661.10	13.75	2 x 18 = 36	17 SPA. @ 5.50 IN = 7'- 9"
31	HP 14x 73	674.94	661.18	13.75	2 x 18 = 36	17 SPA. @ 5.50 IN = 7'- 9"
32	HP 14x 73	675.02	660.15	14.87	2 x 18 = 36	17 SPA. @ 5.75 IN = 8'- 1"
				TOTAL	699	1,216



CONSTRUCTION JOINT **EXPANSION JOINT**

END OF PANEL DETAILS



TYPICAL SECTION THRU SOLDIER PILE WALL

SOLDIER PILE SCHEDULE & DETAILS
STRUCTURE NO. 049-W022



FILE NAME = D168953-06-sched_det.dgn	USER NAME =	DESIGNED - J.C.N./B.N.S.	REVISED -	STATE OF ILLINOIS DEPARTMENT OF TRANSPORTATION	SOLDIER PILE SCHEDULE & DETAILS STRUCTURE NO. 049-W022	F.A.P. RTE. = 330	SECTION = 128R-3	COUNTY = LAKE	TOTAL SHEETS = 518	SHEET NO. = 326
PLOT SCALE =	DRAWN - F.M.	REVISED -	CONTRACT NO. 60953							
PLOT DATE =	CHECKED - B.N.S./J.C.N.	REVISED -	ILLINOIS FED. AID PROJECT							
SHEET NO. S6-6 OF S6-9 SHEETS										