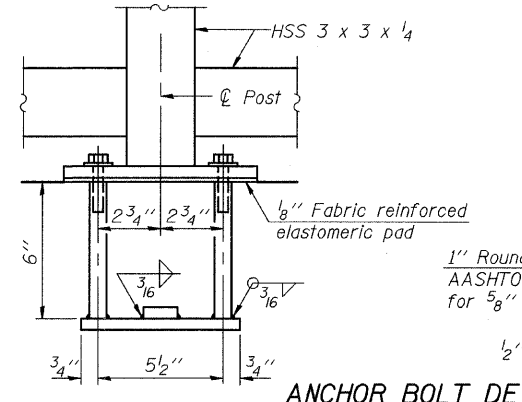
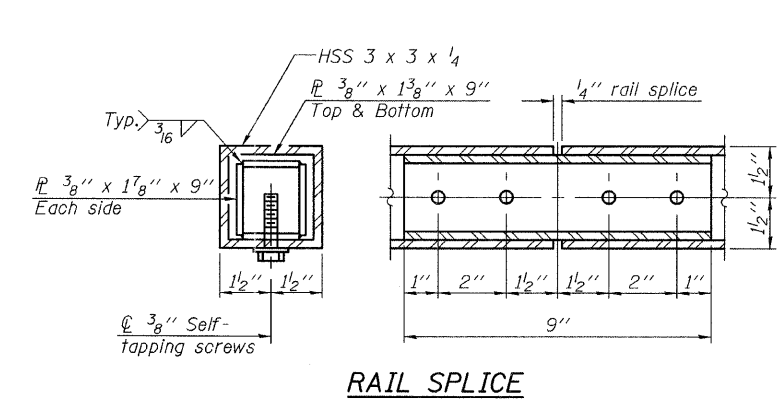
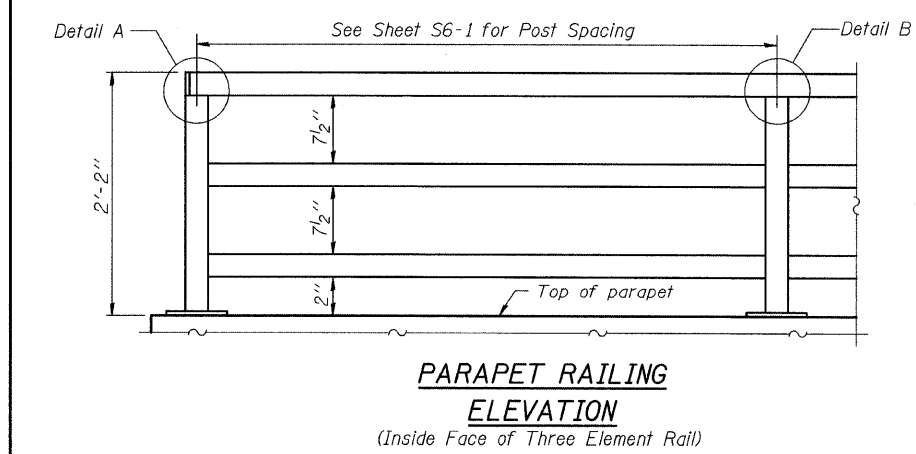
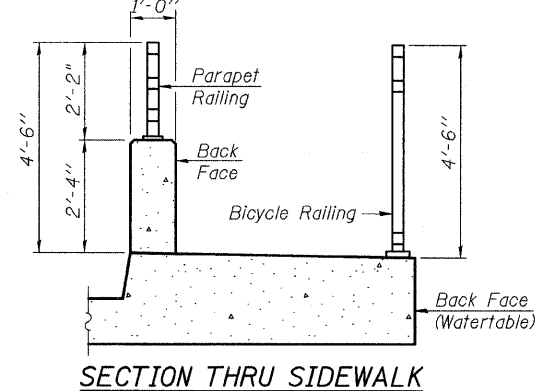
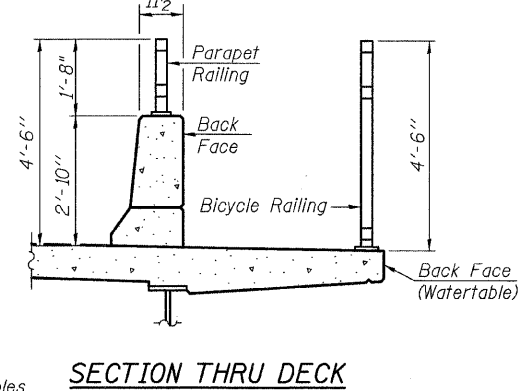
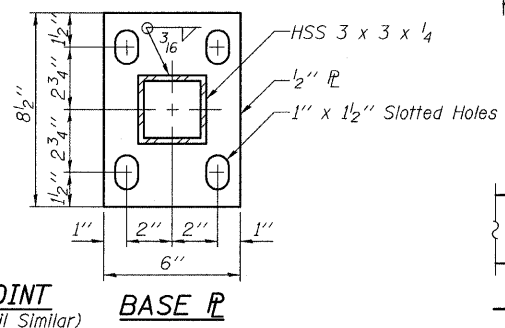
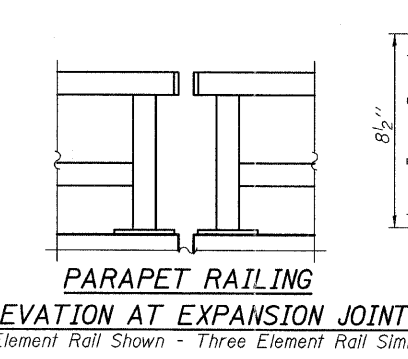
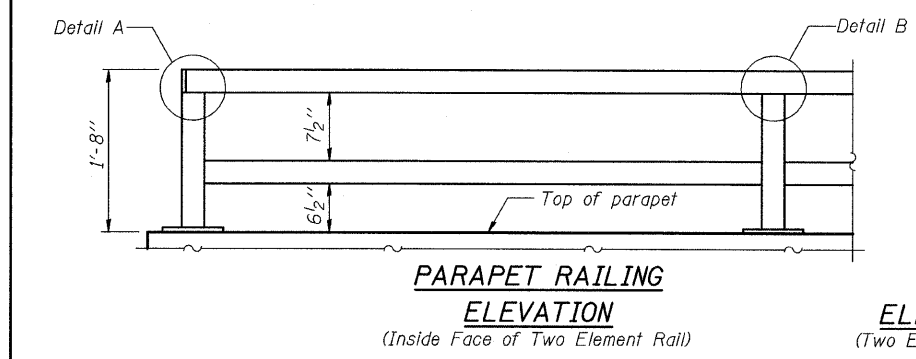


All steel rail elements shall be galvanized according to Article 509.05 of the Standard Specifications.



In lieu of the cast-in-place anchor device shown, the Contractor has the option of drilling and setting 5/8" phi anchor rods according to Article 509.06 of the Standard Specifications. Embedment shall be according to the manufacturer's specifications.

BILL OF MATERIAL

Item	Unit	Quantity
Parapet Railing	Foot	237

PARAPET RAILING STRUCTURE NO. 049-W022



R-29 7-1-10 (10'-0" Maximum Post Spacing)

FILE NAME = D168953-07-par_railing.dgn	USER NAME =	DESIGNED - J.C.N./B.N.S.	REVISED -
		CHECKED - B.N.S.	REVISED -
	PLOT SCALE =	DRAWN - F.M.	REVISED -
	PLOT DATE =	CHECKED - B.N.S./J.C.N.	REVISED -

STATE OF ILLINOIS
DEPARTMENT OF TRANSPORTATION

PARAPET RAILING
STRUCTURE NO. 049-W022
SHEET NO. S6-7 OF S6-9 SHEETS

F.A.P. RTE. 330	SECTION 128R-3	COUNTY LAKE	TOTAL SHEETS 518	SHEET NO. 327
CONTRACT NO. 60953				ILLINOIS FED. AID PROJECT