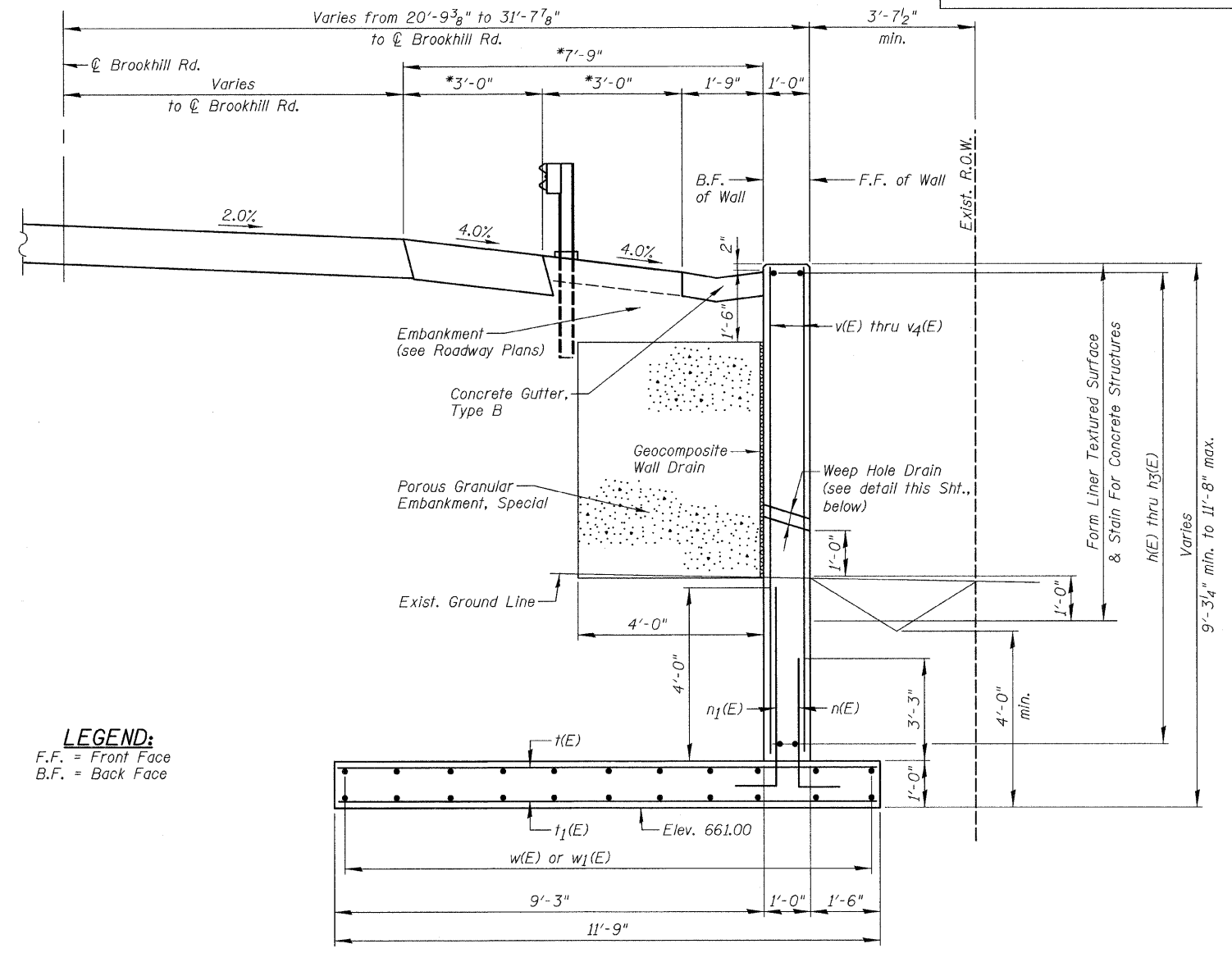
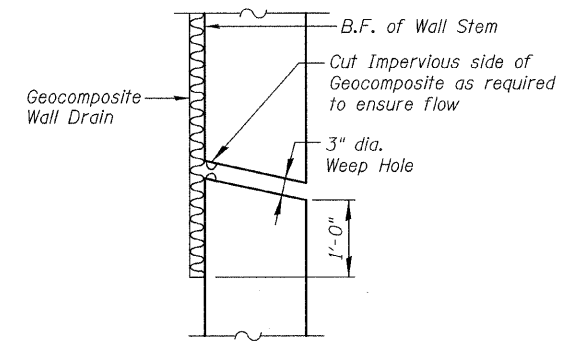


*For Sta. 508+50.00 to Sta. 509+28.00 & varies from Sta. 509+28.00 to Sta. 509+48.10



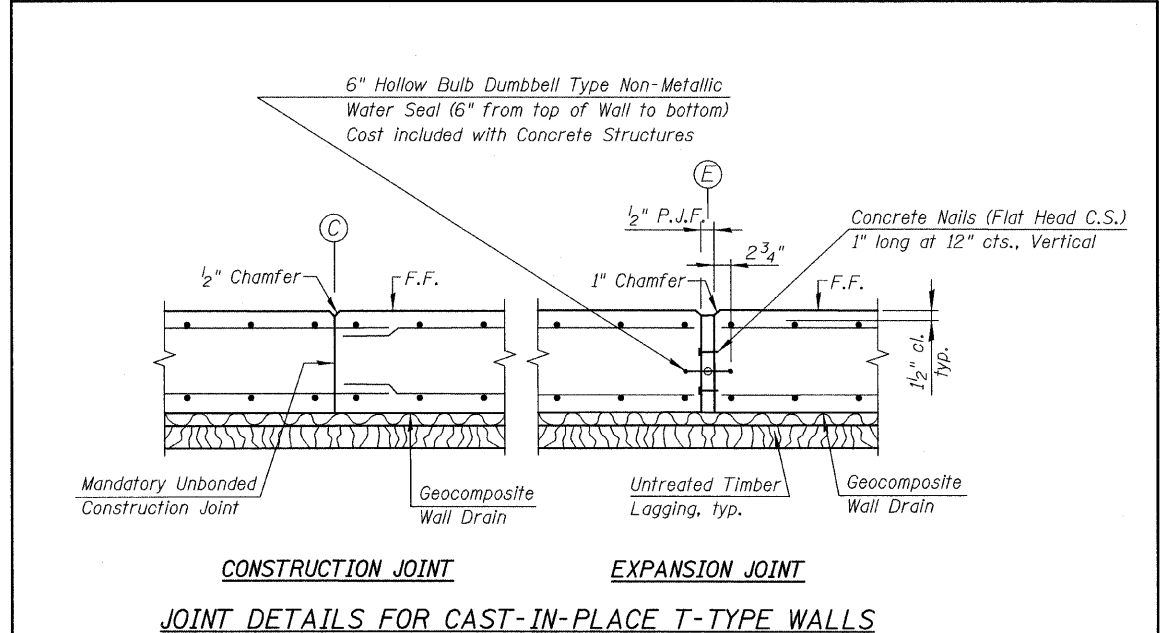
LEGEND:
 F.F. = Front Face
 B.F. = Back Face

SECTION A-A
 Maximum bearing pressure under footing = 1.7ksf

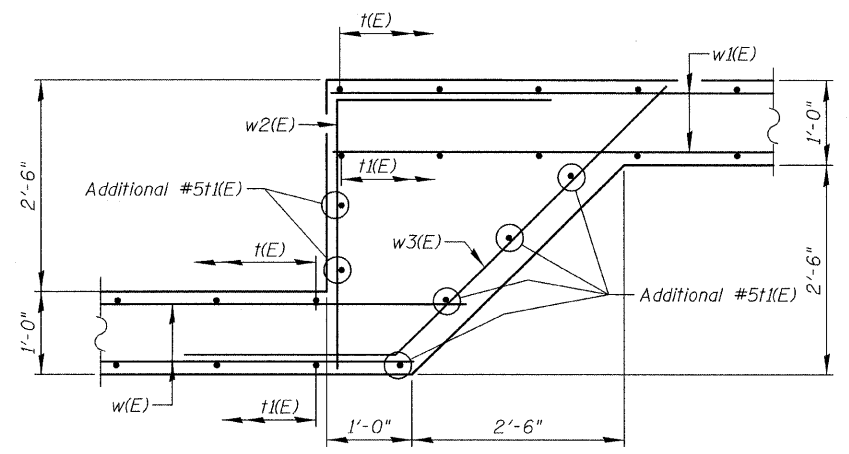


WEEP HOLE DRAIN DETAIL

**RETAINING WALL SECTION
 STRUCTURE NO. 049-W042**



CONSTRUCTION JOINT EXPANSION JOINT
JOINT DETAILS FOR CAST-IN-PLACE T-TYPE WALLS



DETAIL "A"

FILE NAME = D160953-03-ret-wall.sections.dgn	USER NAME =	DESIGNED - J.C.N./B.N.S.	REVISED -
		CHECKED - B.N.S.	REVISED -
		DRAWN - F.M.	REVISED -
		CHECKED - B.N.S./J.C.N.	REVISED -

**STATE OF ILLINOIS
 DEPARTMENT OF TRANSPORTATION**

**RETAINING WALL SECTION
 STRUCTURE NO. 049-W042**

SHEET NO. 58-3 OF 58-4 SHEETS

F.A.P. RTE. 330	SECTION 128R-3	COUNTY LAKE	TOTAL SHEETS 518	SHEET NO. 338
			CONTRACT NO. 60953	

ILLINOIS FED. AID PROJECT