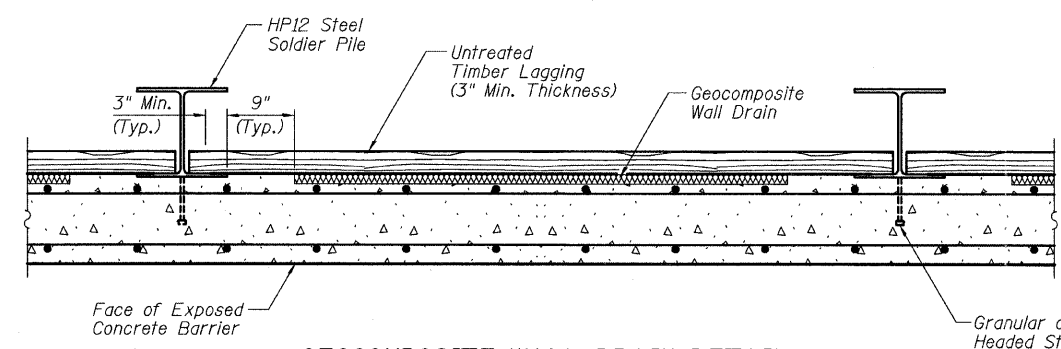


**SECTION THRU SOLDIER PILE WALL**

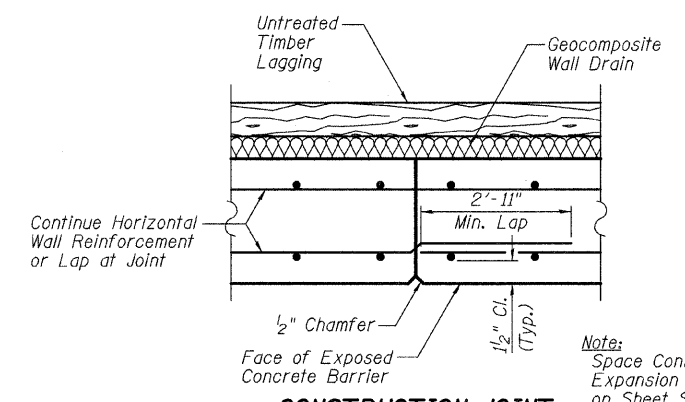
\*\*\* The Contractor shall locate the existing gas line and all other utilities prior to the construction. Any damage to utilities to be repaired at the Contractor's expense.

\*\*\*\* Final grading behind the wall to divert the surface run-off away from the wall. See Civil drawings for Landscaping Details and Pay Items.



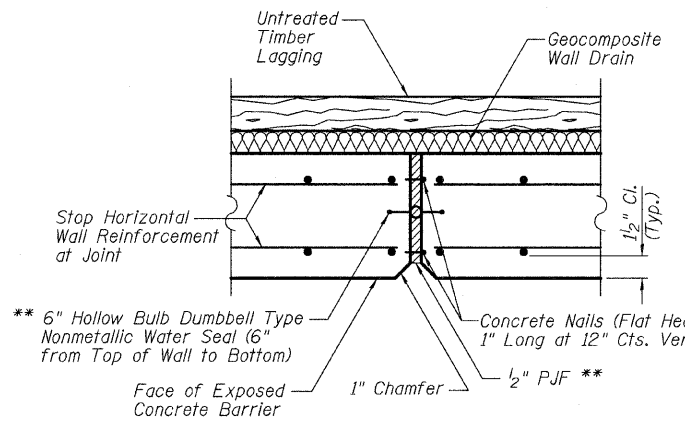
**GEOCOMPOSITE WALL DRAIN DETAIL**

Granular or Solid Flux Filled Headed Stud Conforming to Article 1006.32 of the Standard Specifications Automatically End Welded to Flange (Typ.)



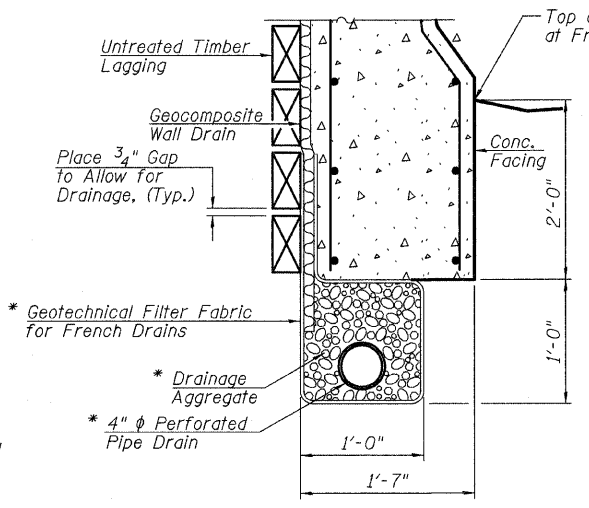
**CONSTRUCTION JOINT**

Note: Space Construction and Expansion Joints as shown on Sheet S1 Elevation.

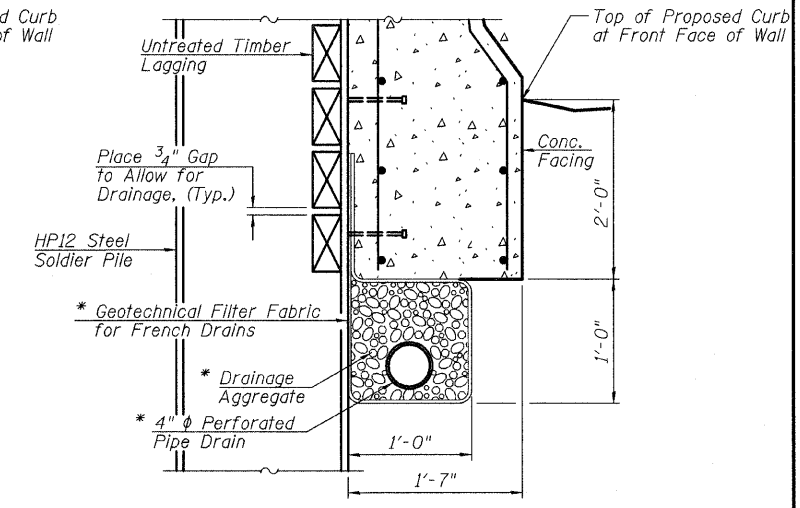


**EXPANSION JOINT**

\*\* Cost Included in Pay Item for Concrete Structures.



**PIPE UNDERDRAIN DETAIL BETWEEN SOLDIER PILES**



**PIPE UNDERDRAIN DETAIL AT SOLDIER PILES**

\* Underdrain System Shall Extend to 1'-0" from the Ends of the Wall. Cost Included With "Pipe Underdrain for Structures, 4".

FILE NAME =	USER NAME =	DESIGNED - EM	REVISED -	<b>STATE OF ILLINOIS DEPARTMENT OF TRANSPORTATION</b>	<b>TYPICAL WALL SECTION AND DETAILS STRUCTURE NO. 049-W041</b>	F.A.P. RTE. 330	SECTION 128R-3	COUNTY LAKE	TOTAL SHEETS 518	SHEET NO. 342	
PLOT SCALE =	DRAWN - DR	CHECKED - JMH	REVISED -			CONTRACT NO. 60953					
PLOT DATE =	CHECKED - JMH	CHECKED - JMH	REVISED -			ILLINOIS FED. AID PROJECT					
SHEET NO. S9-3 OF S9-9 SHEETS											