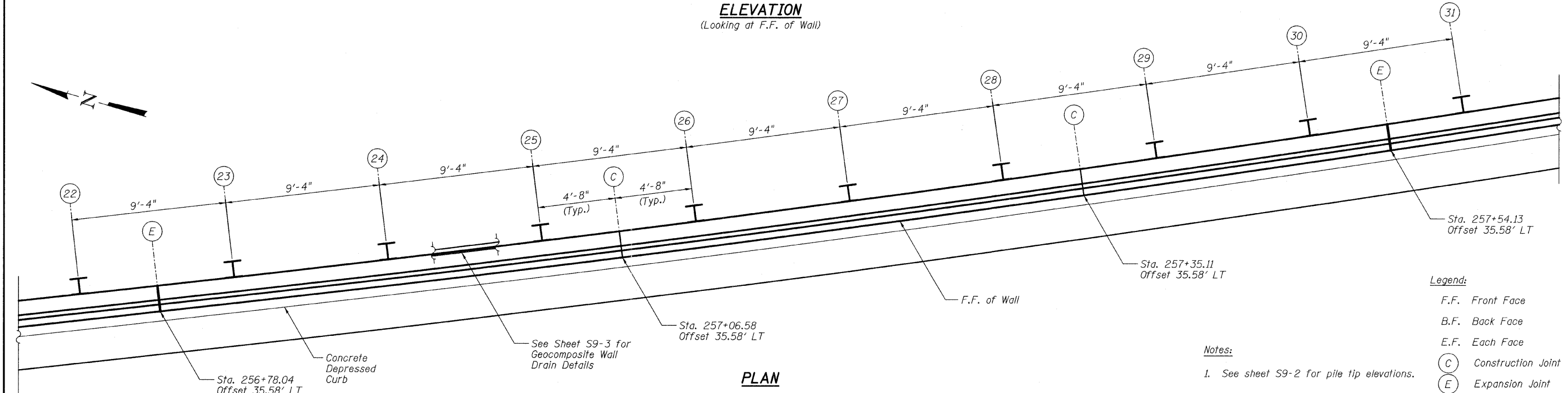


**ELEVATION**  
(Looking at F.F. of Wall)



**PLAN**

**MINIMUM BAR LAPS:**  
No. 5 Bars - 2'-11"

- Notes:**
- See sheet S9-2 for pile tip elevations.
  - Wall dimensions are measured along F.F. of the wall, stations are taken from  $\text{C}$  I-21.

- Legend:**
- F.F. Front Face
  - B.F. Back Face
  - E.F. Each Face
  - $\text{C}$  Construction Joint
  - $\text{E}$  Expansion Joint
  - $\text{I}$  Panel Number
  - $\text{1}$  Pile Number

FILE NAME =	USER NAME =	DESIGNED - EM	REVISED -	<b>STATE OF ILLINOIS DEPARTMENT OF TRANSPORTATION</b>	<b>PARTIAL PLAN AND ELEVATION IV STRUCTURE NO. 049-W041</b>	F.A.P. RTE. =	SECTION	COUNTY	TOTAL SHEETS	SHEET NO.	
		CHECKED - JMH	REVISED -			330	128R-3	LAKE	518	346	
PLOT SCALE =		DRAWN - DR	REVISED -			<b>CONTRACT NO. 60953</b>					
PLOT DATE =		CHECKED - JMH	REVISED -			ILLINOIS FED. AID PROJECT					