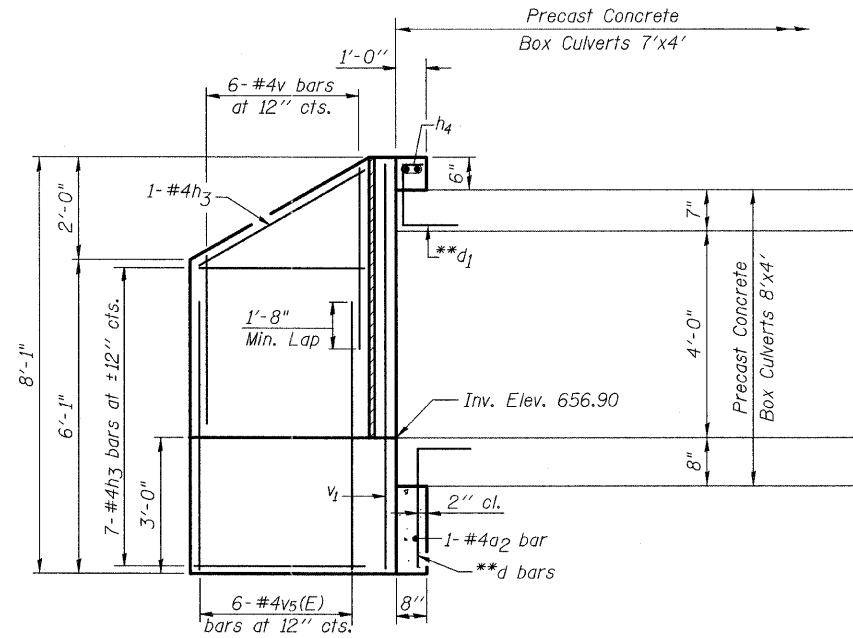


**DETAIL "B"**

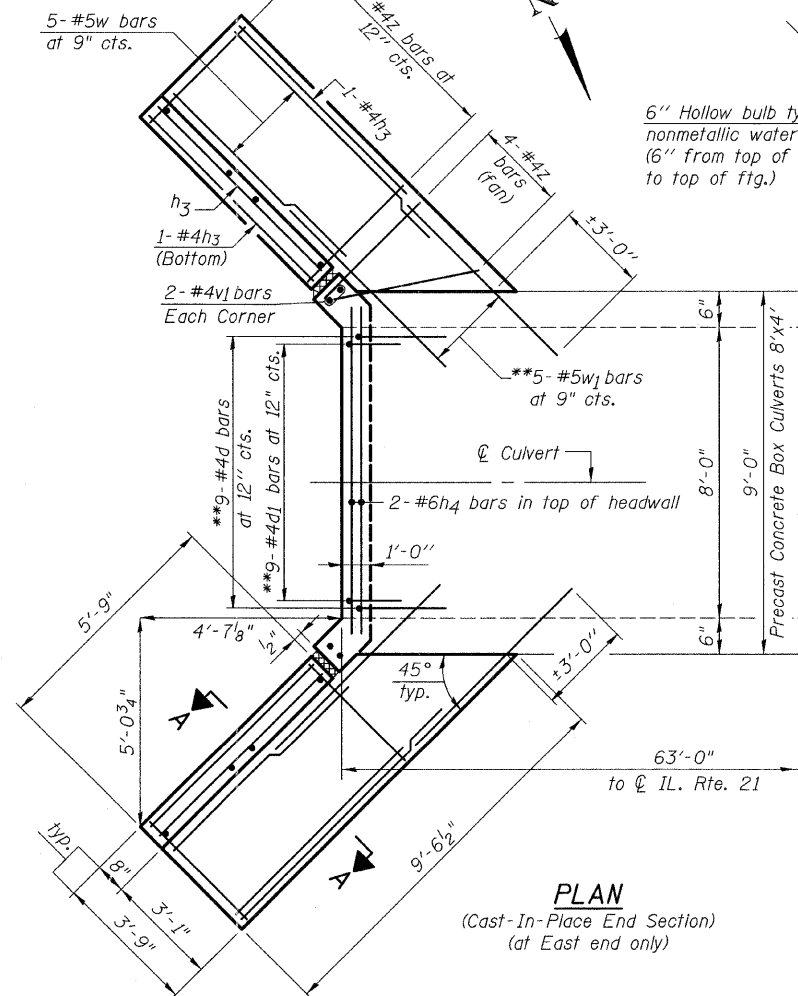
(For remainder of details, see Retaining Wall No. 1)



**ELEVATION**

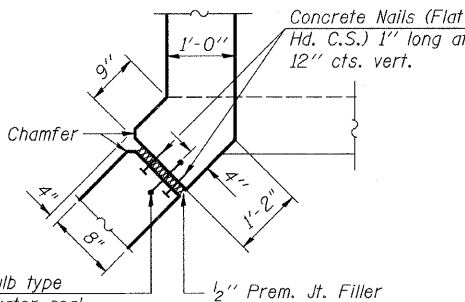
(Cast-In-Place End Section)

\*\*Cast Reinf. Bars into Precast Concrete Box Culvert as shown. Cast Included with Precast Concrete Box Culverts 7'x4'



**PLAN**

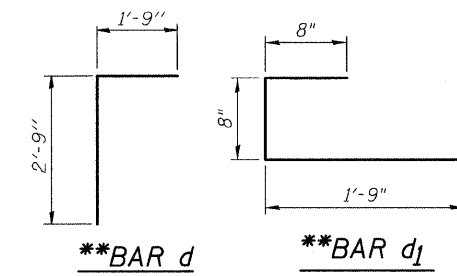
(Cast-In-Place End Section)  
(at East end only)



**CORNER DETAIL**

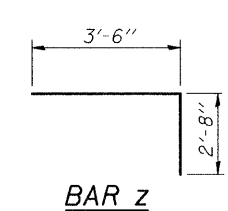
**BILL OF MATERIAL**  
(FOR REINF. BARS CAST INTO  
PRECAST CONCRETE BOX CULVERT)

Bar	No.	Size	Length	Shape
** d	9	#4	4'-6"	┌
** d1	9	#4	3'-1"	└
** w1	10	#5	8'-0"	—



**\*\*BAR d**

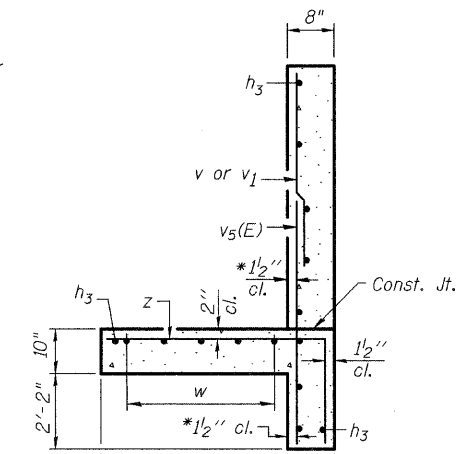
**\*\*BAR d1**



**BAR z**

**BILL OF MATERIAL**

Bar	No.	Size	Length	Shape
a2	1	#4	8'-8"	—
h3	20	#4	5'-5"	—
h4	2	#6	8'-8"	—
v	12	#4	3'-8"	—
v1	4	#6	7'-8"	—
v5(E)	12	#4	5'-8"	—
w	10	#5	6'-0"	—
z	20	#4	6'-2"	┌
Reinforcement Bars		Pound	320	
Reinforcement Bars, Epoxy Coated		Pound	50	
Concrete Box Culverts		Cu. Yd.	4.7	



**SECTION A-A**

Max. Soil Pressure under footing = 2,025 psf

\*v bars shall not be placed more than 1/2" cl. from back face of wingwall

**CAST-IN-PLACE END SECTION DETAILS**  
**STRUCTURE NO. 049-0239**  
**OUTLET NO. 14**

**CHRISTIAN-ROGE & ASSOCIATES, INC.**

FILE NAME = D168953-03-end.sect.det.dgn	USER NAME =	DESIGNED - J.C.N./B.N.S.	REVISIONS	<b>STATE OF ILLINOIS</b> <b>DEPARTMENT OF TRANSPORTATION</b>	<b>CAST-IN-PLACE END SECTION DETAILS</b> <b>STRUCTURE NO. 049-0239</b>	F.A.P. RTE. 330	SECTION 128R-3	COUNTY LAKE	TOTAL SHEETS 518	SHEET NO. 354
PLOT SCALE =	CHECKED - B.N.S.	REVISIONS	CONTRACT NO. 60953							
PLOT DATE =	DRAWN - F.M.	REVISIONS	ILLINOIS FED. AID PROJECT							
	CHECKED - B.N.S./J.C.N.	REVISIONS								