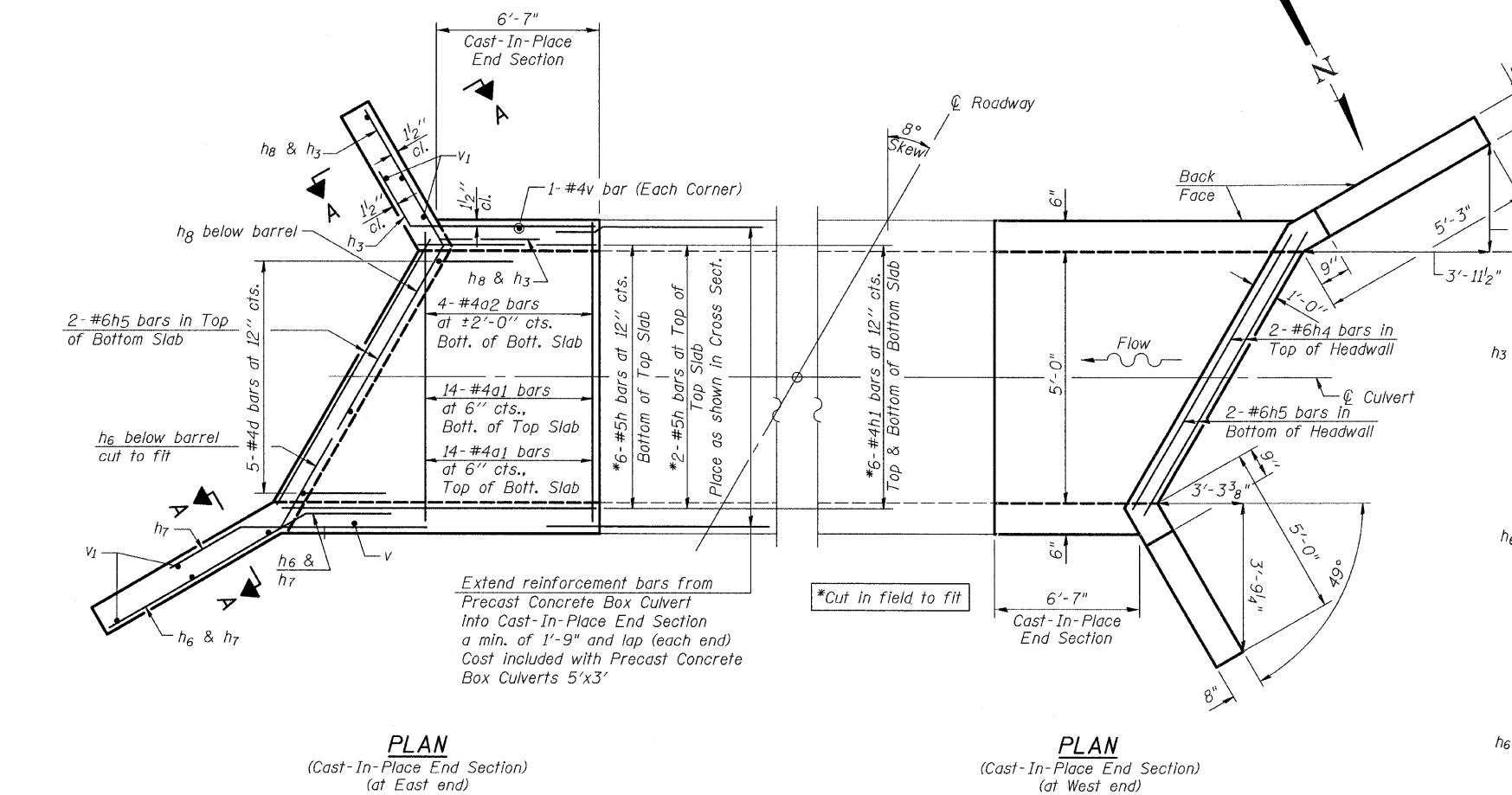
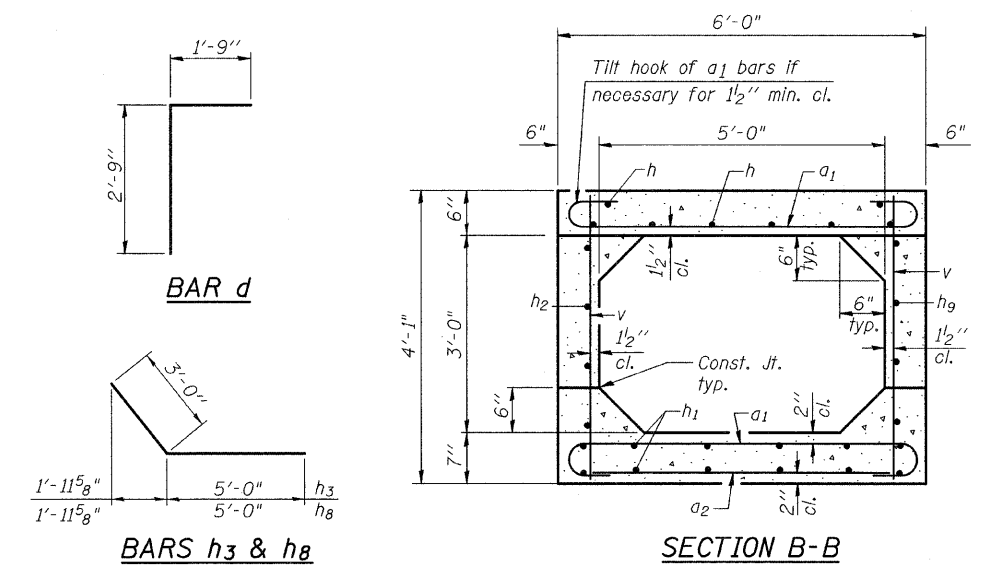
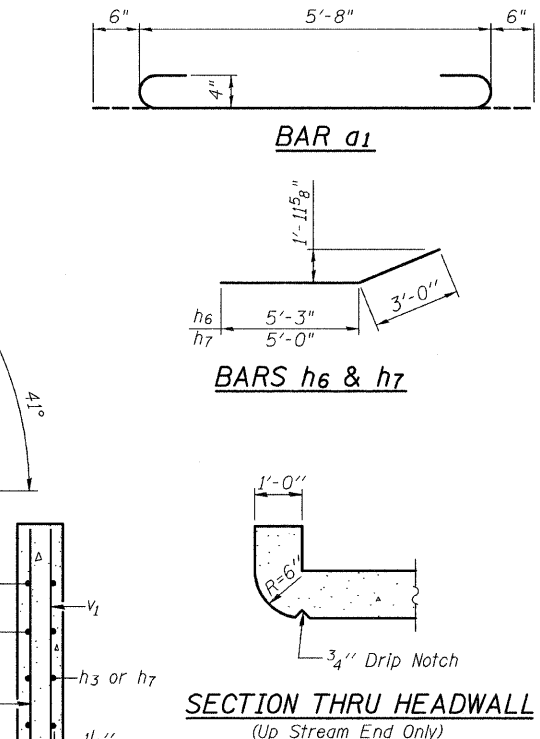


SHOWING REINFORCEMENT
SHOWING DIMENSIONS

Dimensions at Rt. L's to \odot Roadway



PLAN (Cast-In-Place End Section) (at East end)
PLAN (Cast-In-Place End Section) (at West end)



SECTION B-B
SECTION A-A

BILL OF MATERIAL

Bar	No.	Size	Length	Shape
a1	56	#4	6'-8"	
a2	10	#4	5'-2"	
d	10	#4	4'-6"	
h	16	#5	7'-1"	
h1	24	#4	7'-1"	
h2	8	#5	7'-2"	
h3	12	#4	8'-0"	
h4	4	#6	5'-9"	
h5	8	#6	5'-9"	
h6	12	#4	8'-3"	
h7	12	#4	8'-0"	
h8	12	#4	8'-0"	
h9	8	#5	6'-9"	
v	42	#4	3'-8"	
v1	16	#4	6'-8"	
Reinforcement Bars			Pound	1,200
Concrete Box Culverts			Cu. Yd.	9.9

CAST-IN-PLACE END SECTION DETAILS
STRUCTURE NO. 049-C004
OUTLET NO. 15