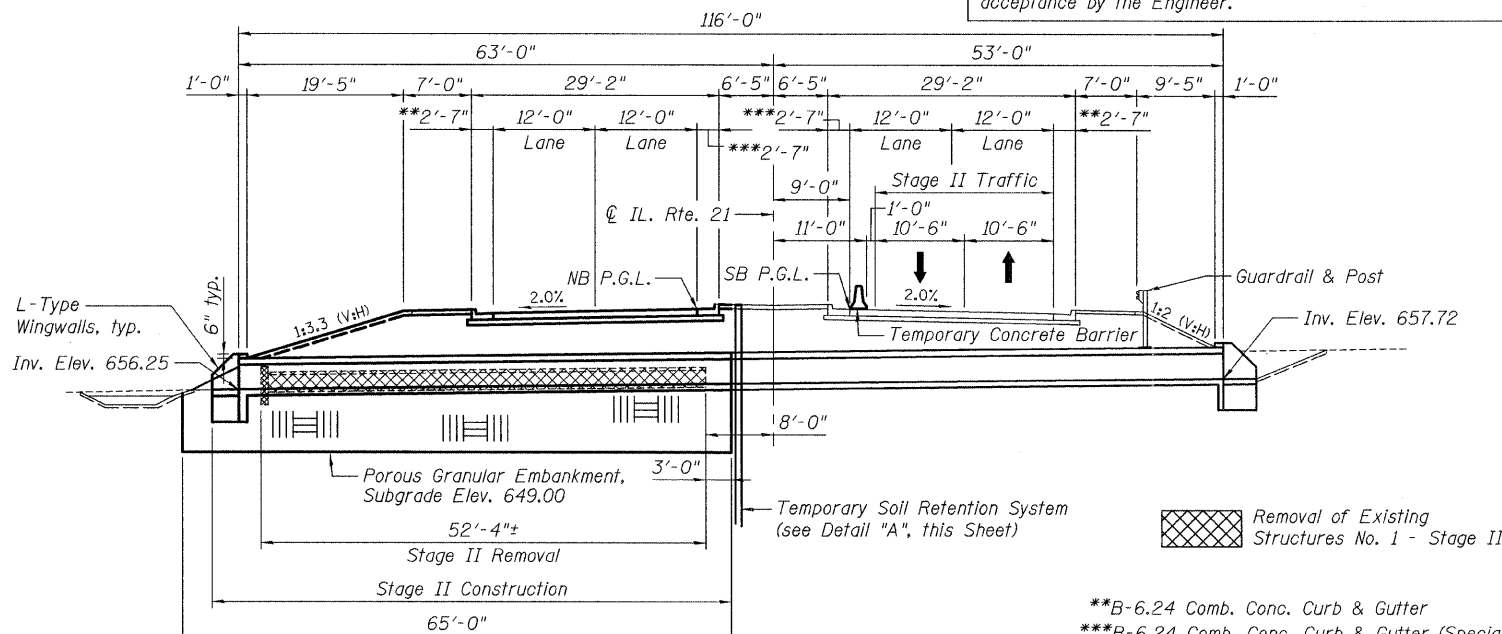
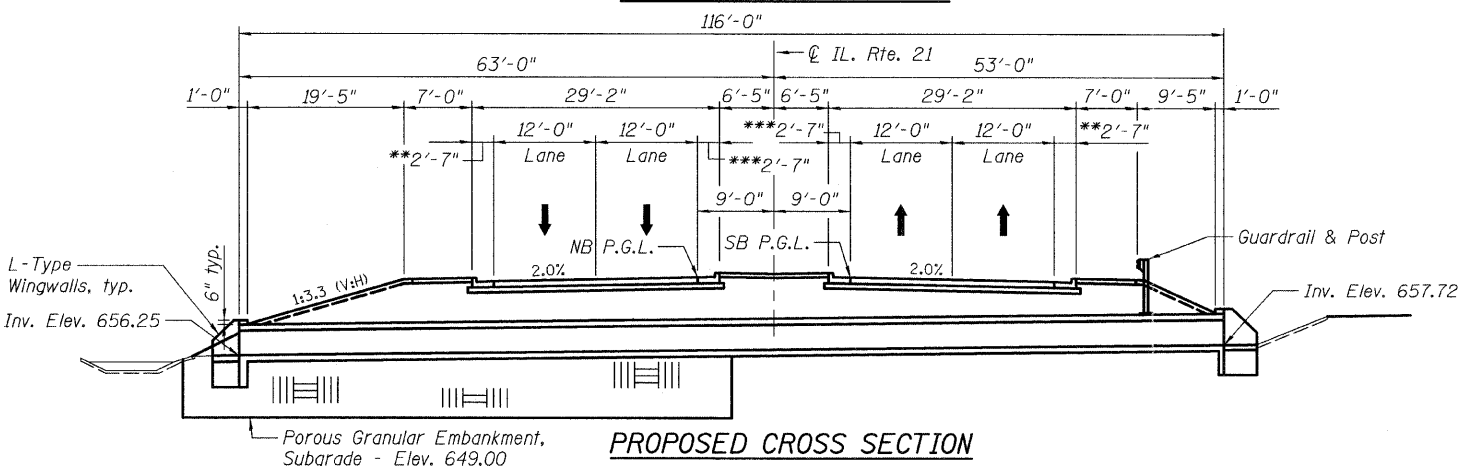


**STAGE I CONSTRUCTION**

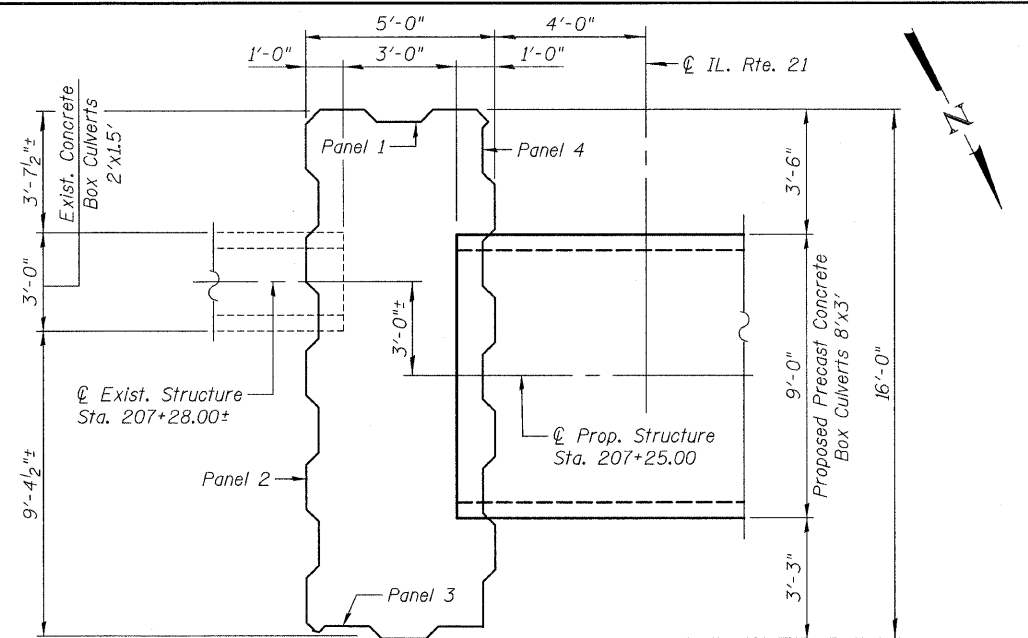
**NOTE:**  
 A cantilevered sheet piling design does not appear feasible and additional members or other retention systems may be necessary. The Contractor shall submit a temporary soil retention system design including plan details and calculations for review and acceptance by the Engineer.



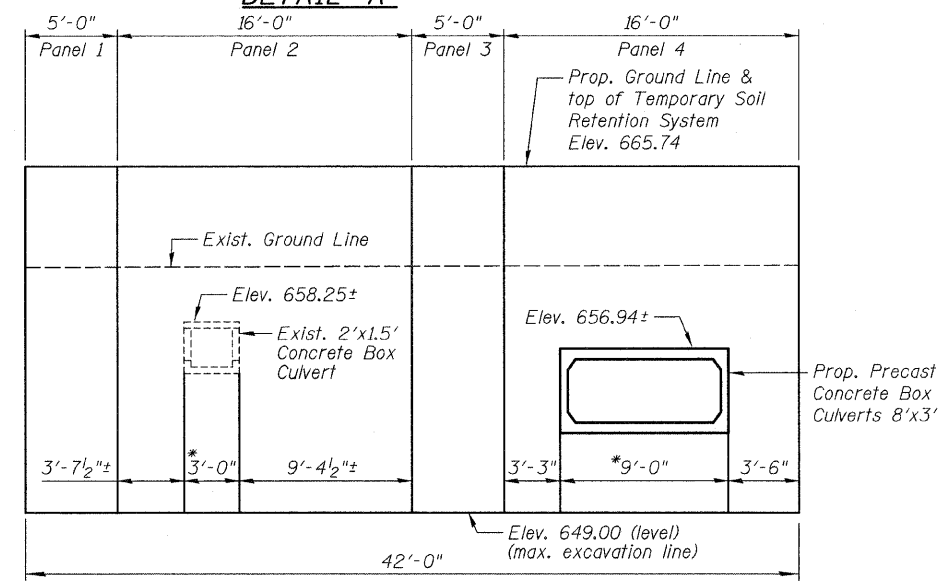
**STAGE II CONSTRUCTION**



**PROPOSED CROSS SECTION**



**DETAIL "A"**



**ELEVATION OF PANELS**

**CONSTRUCTION SEQUENCE**

**TEMPORARY SOIL RETENTION SYSTEM**

**STAGE I**

1. Install Temporary Soil Retention System Panels 1, 2 & 3.
2. Remove existing precast concrete box culvert. See Stage Construction Details & limits of removal, this Sheet.
3. Excavate to limits as shown in Elevation, see Sht. SC3-1.
4. Install Porous Granular Embankment, Subgrade in the excavated area.
5. Install new precast concrete box culvert. See Stage Construction Details & limits of replacement, this Sheet.
6. Install Temporary Soil Retention System Panel 4.
7. Install Stage I portion of the new Roadway.

**STAGE II**

1. Remove existing precast concrete box culvert. See Stage Construction Details & limits of removal, this Sheet.
2. Remove Temporary Soil Retention System Panels 1, 2 & 3.
3. Excavate to limits as shown in Elevation, see Sht. SC3-1.
4. Install Porous Granular Embankment, Subgrade in the excavated area.
5. Install new precast concrete box culvert. See Stage Construction Details & limits of replacement, this Sheet.
6. Remove Temporary Soil Retention System Panel 4.
7. Install Stage II portion of the new Roadway.

\*Do not disturb soil under the existing & proposed culverts during placement of Temporary Soil Retention System

**STAGE CONSTRUCTION DETAILS  
 STRUCTURE NO. 049-0240  
 OUTLET NO. 16**



FILE NAME = D168953-02-stage.const.det.dgn	USER NAME =	DESIGNED - J.C.N./B.N.S.	REVISED -
		CHECKED - B.N.S.	REVISED -
		DRAWN - F.M.	REVISED -
		CHECKED - B.N.S./J.C.N.	REVISED -

**STATE OF ILLINOIS  
 DEPARTMENT OF TRANSPORTATION**

**STAGE CONSTRUCTION DETAILS  
 STRUCTURE NO. 049-0240**

SHEET NO. SC3-2 OF SC3-4 SHEETS

F.A.P. RTE. 330	SECTION 128R-3	COUNTY LAKE	TOTAL SHEETS 518	SHEET NO. 362
				CONTRACT NO. 60953
ILLINOIS FED. AID PROJECT				