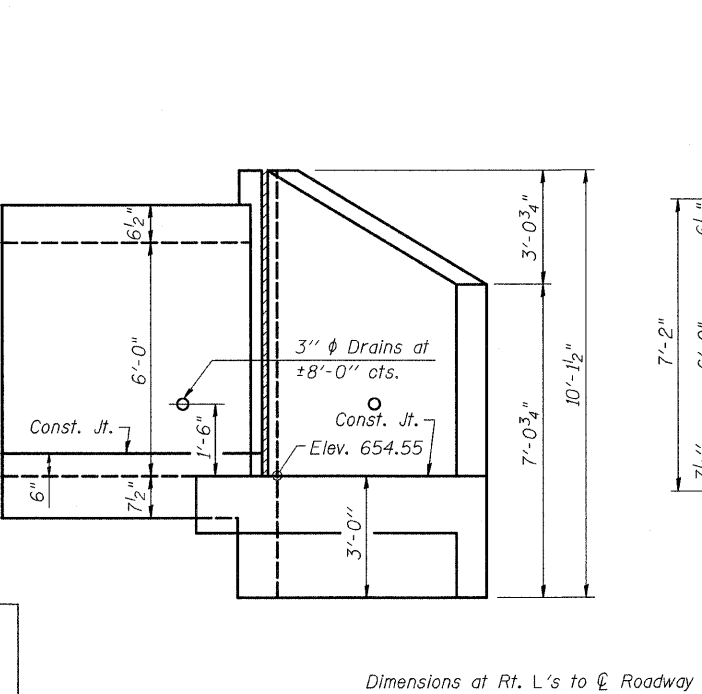


SHOWING REINFORCEMENT

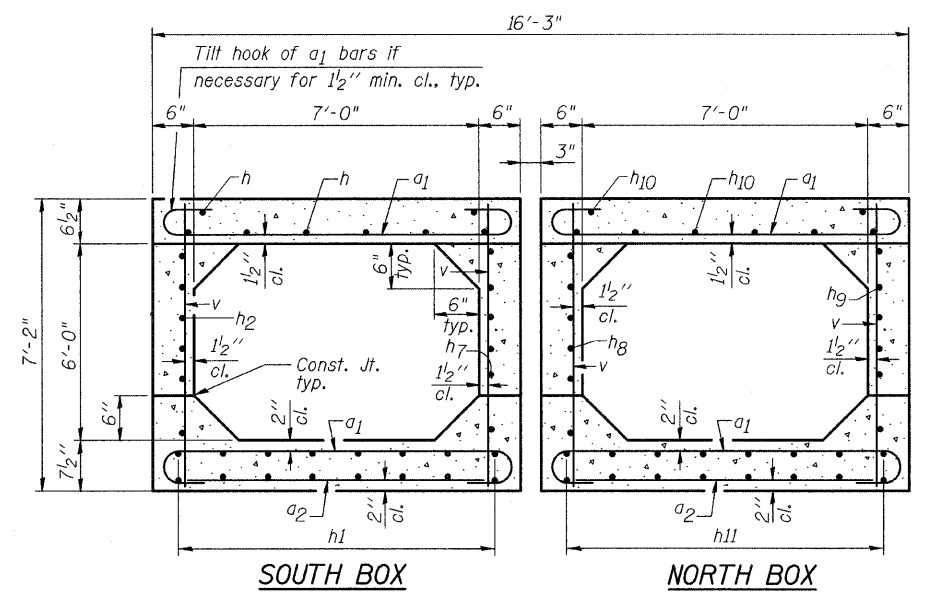
ELEVATION
(Cast-In-Place End Section)
(at East end)

NOTE "A"
 9-#4v bars at 8 1/2" cts. (South Wall of South Box)
 17-#4v bars at 8 1/2" cts. (North Wall of South Box)
 18-#4v bars at 8 1/2" cts. (South Wall of North Box)
 26-#4v bars at 8 1/2" cts. (North Wall of North Box)

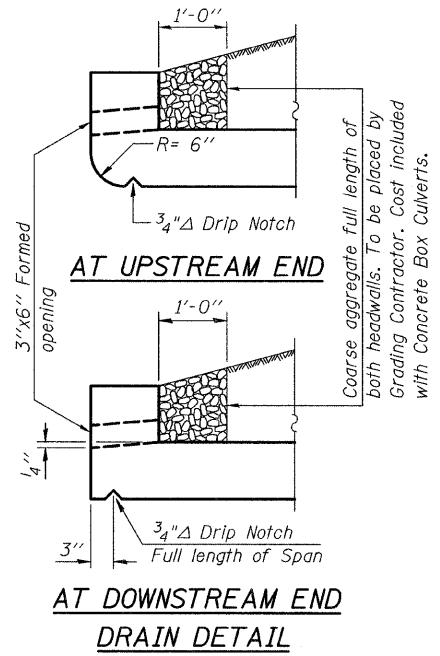


SHOWING DIMENSIONS

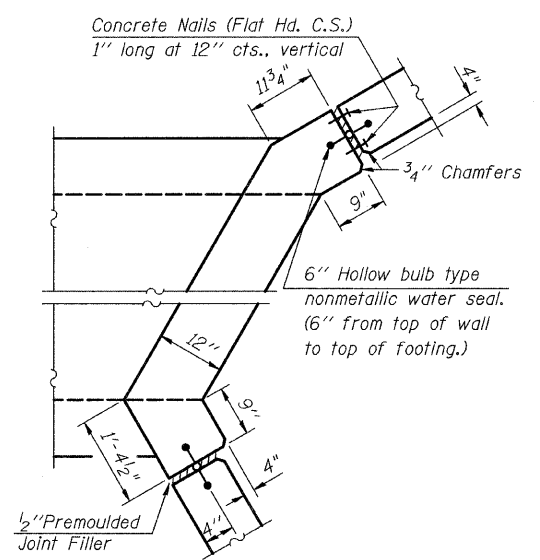
ELEVATION
(Cast-In-Place End Section)
(at West end)



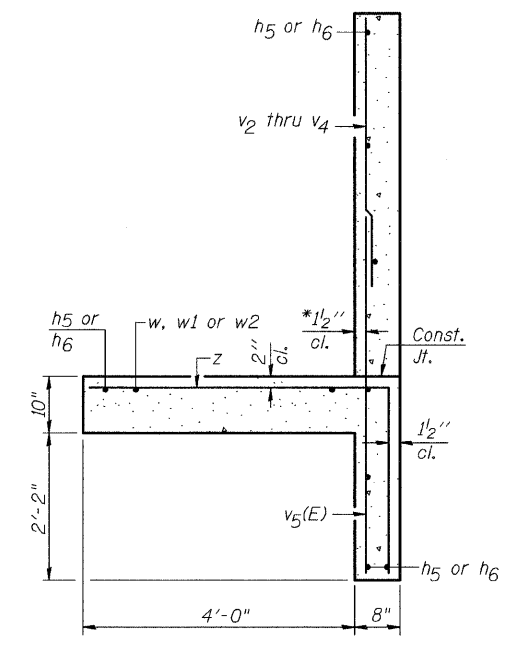
SECTION THRU BARREL
(Looking West)



AT DOWNSTREAM END
DRAIN DETAIL



CORNER DETAIL



SECTION A-A
*v5(E) bars shall not be placed more than 1 1/2" cl. from back face of wingwalls.

CAST-IN-PLACE END SECTION DETAILS-II
STRUCTURE NO. 049-0241
OUTLET NO. 18



FILE NAME = D168953-04-end.sect.det-II.dgn	USER NAME =	DESIGNED - J.C.N./B.N.S.	REVISED -
		CHECKED - B.N.S.	REVISED -
		DRAWN - F.M.	REVISED -
		CHECKED - B.N.S./J.C.N.	REVISED -

STATE OF ILLINOIS
DEPARTMENT OF TRANSPORTATION

CAST-IN-PLACE END SECTION DETAILS-II
STRUCTURE NO. 049-0241
SHEET NO. SC4-4 OF SC4-5 SHEETS

F.A.P. RTE.	SECTION	COUNTY	TOTAL SHEETS	SHEET NO.
330	128R-3	LAKE	518	368
			CONTRACT NO. 60953	
ILLINOIS FED. AID PROJECT				