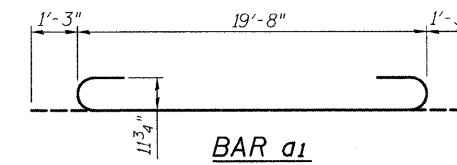
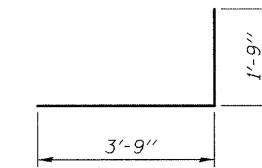


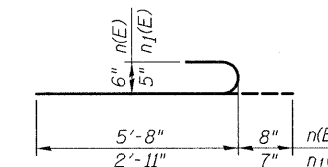
SECTION THRU BARREL



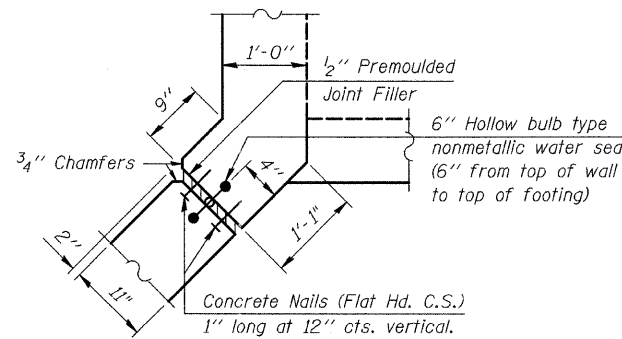
BAR a1



BAR d

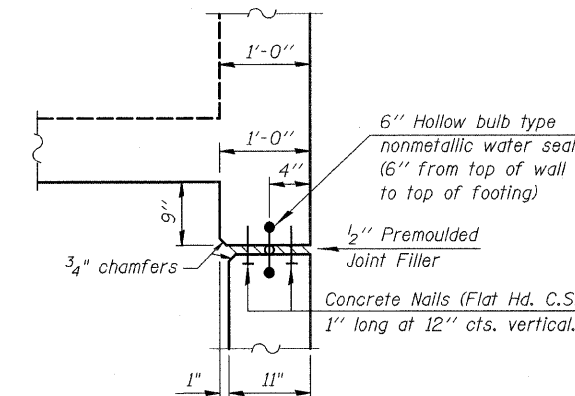


BARS n(E) & n1(E)



CORNER DETAIL - EAST WINGWALLS

(North East corner - shown)
(South East corner - similar)



CORNER DETAIL - WEST WINGWALLS

(North West corner - shown)
(South West corner - similar)

BILL OF MATERIAL

Bar	No.	Size	Length	Shape
a1	400	#9	22'-2"	U
a2	102	#4	18'-3"	—
d	60	#4	5'-6"	J
h	228	#5	17'-9"	—
h1	184	#5	25'-9"	—
h2	88	#5	25'-10"	—
h3	40	#4	14'-11"	—
h4	4	#6	19'-9"	—
h5	40	#4	29'-8"	—
n(E)	120	#6	6'-4"	U
n1(E)	124	#5	3'-6"	U
t	194	#6	8'-7"	—
v	400	#6	11'-3"	—
v1	400	#6	3'-8"	—
v2	8	#5	12'-0"	—
v3	8	#5	6'-6"	—
v4	42	#4	5'-10"	—
v5	42	#4	7'-7"	—
v6	40	#4	9'-5"	—
v7	28	#4	14'-0"	—
v8	124	#5	6'-9"	—
v9	100	#5	10'-3"	—
w	28	#5	14'-11"	—
w1	28	#5	29'-8"	—
Concrete Box Culverts		Cu. Yd.	324.0	
Reinforcement Bars, Epoxy Coated		Pound	1,590	
Reinforcement Bars		Pound	60,210	
Bar Splicers		Each	128	

**REINFORCEMENT DETAILS-II
STRUCTURE NO. 049-0243**



FILE NAME = D162953-04-reinforcement.det-II.dgn	USER NAME =	DESIGNED - J.C.N./B.N.S.	REVISED -	STATE OF ILLINOIS DEPARTMENT OF TRANSPORTATION	REINFORCEMENT DETAILS-II STRUCTURE NO. 049-0243	F.A.P. R.T.E. = 330	SECTION = 128R-3	COUNTY = LAKE	TOTAL SHEETS = 518	SHEET NO. = 373	
PLOT SCALE =	DRAWN - F.M.	REVISED -	SHEET NO. SC5-4 OF SC5-6 SHEETS			CONTRACT NO. 60953					
PLOT DATE =	CHECKED - B.N.S./J.C.N.	REVISED -	ILLINOIS FED. AID PROJECT								