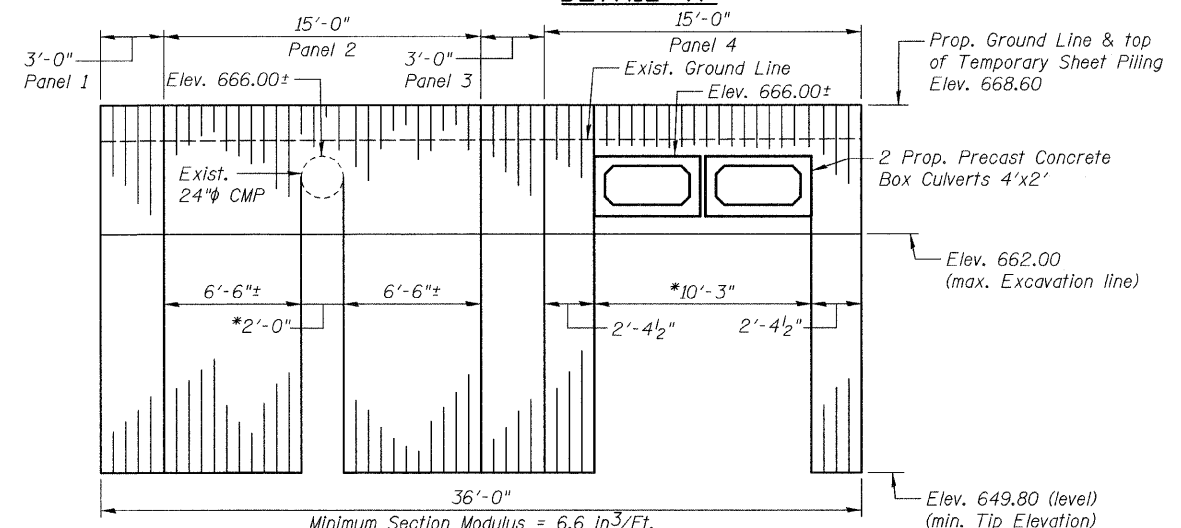
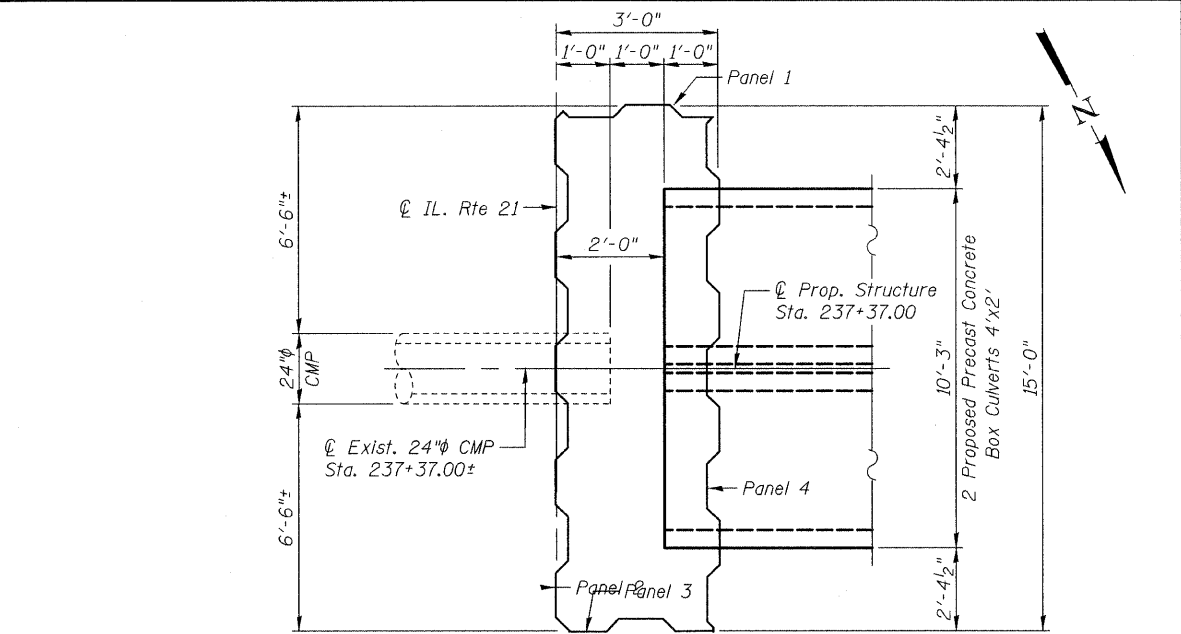
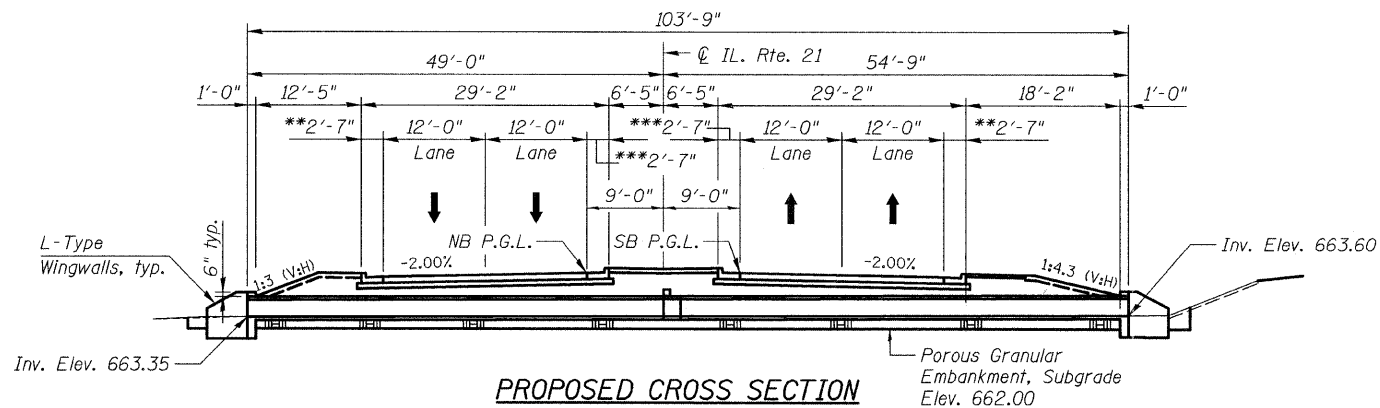
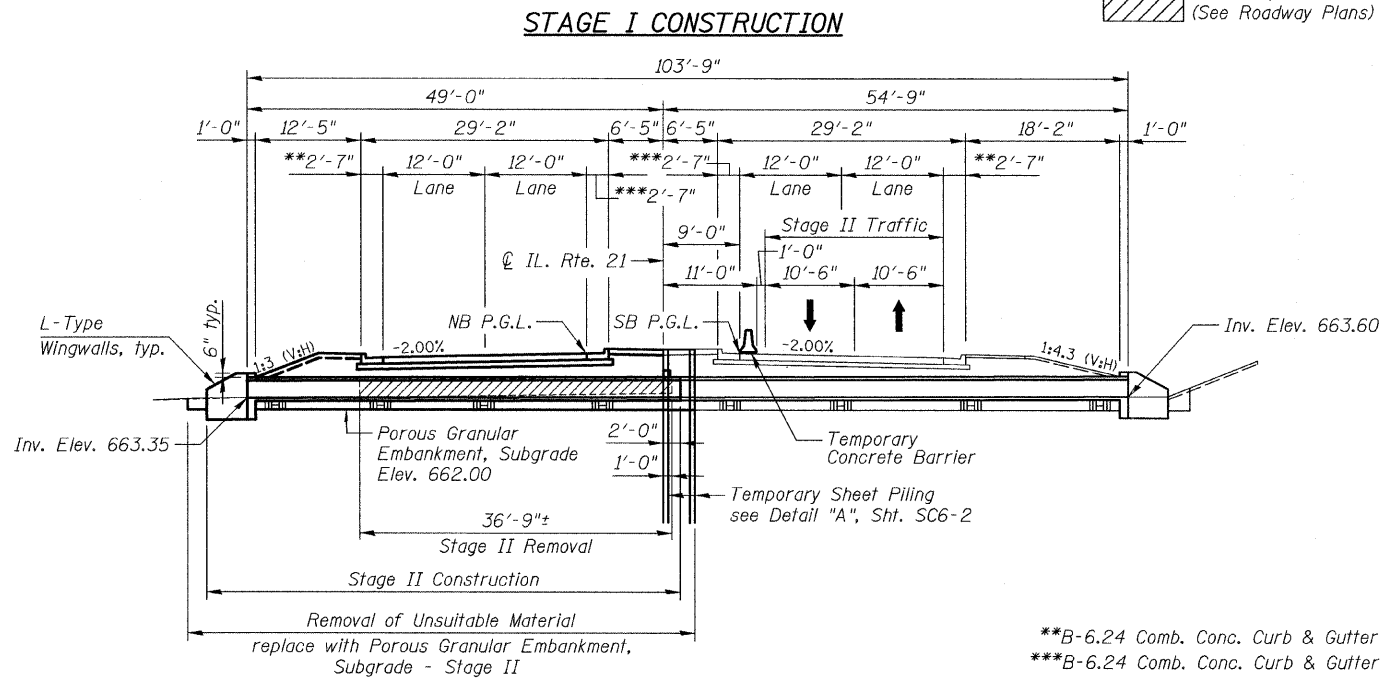


NOTE:
If the Contractor chooses to alter the temporary cantilevered sheet piling design requirements shown on the plans, a design submittal including plan details and calculations will be required for review and acceptance by the Engineer.



*Do not disturb soil under the existing 24"φ CMP & proposed culvert during placement of Temporary Sheet Piling

- STAGE I CONSTRUCTION SEQUENCE**
1. Install Temporary Sheet Piling Panels 1, 2 & 3.
 2. Remove existing 24"φ Corrugated Metal Pipe (CMP). See Stage Construction Details & limits of removal, this Sheet.
 3. Excavate to limits as shown in Elevation, see Sht. SC6-1.
 4. Install Porous Granular Embankment, Subgrade in the excavated area.
 5. Install new precast concrete box culverts. See Stage Construction Details & limits of replacement, this Sheet.
 6. Install Temporary Sheet Piling Panel 4.
 7. Install Stage I portion of the new Roadway.
- STAGE II**
1. Remove existing 24"φ Corrugated Metal Pipe (CMP). See Stage Construction Details & limits of removal, this Sheet.
 2. Remove Temporary Sheet Piling Panels 1, 2 & 3.
 3. Excavate to limits as shown in Elevation, see Sht. SC6-1.
 4. Install Porous Granular Embankment, Subgrade in the excavated area.
 5. Install new precast concrete box culverts. See Stage Construction Details & limits of replacement, this Sheet.
 6. Remove Temporary Sheet Piling Panel 4
 7. Install Stage II portion of the new Roadway.

**STAGE CONSTRUCTION DETAILS
STRUCTURE NO. 049-0242
OUTLET NO. 19**



FILE NAME = D168953-02-stage.const.det.dgn	USER NAME =	DESIGNED - J.C.N./B.N.S.	REVISED -	STATE OF ILLINOIS DEPARTMENT OF TRANSPORTATION	STAGE CONSTRUCTION DETAILS STRUCTURE NO. 049-0242	F.A.P. RTE. = 330	SECTION = 128R-3	COUNTY = LAKE	TOTAL SHEETS = 518	SHEET NO. = 377	
PLOT SCALE =	CHECKED - B.N.S.	REVISED -									
PLOT DATE =	DRAWN - F.M.	REVISED -									
	CHECKED - B.N.S./J.C.N.	REVISED -									
SHEET NO. SC6-2 OF SC6-4 SHEETS						CONTRACT NO. 60953					
ILLINOIS FED. AID PROJECT											