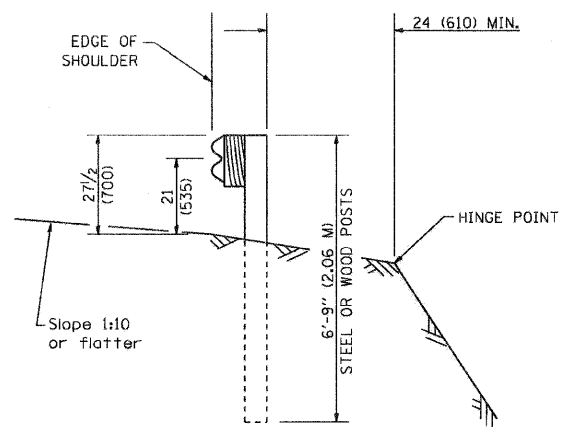
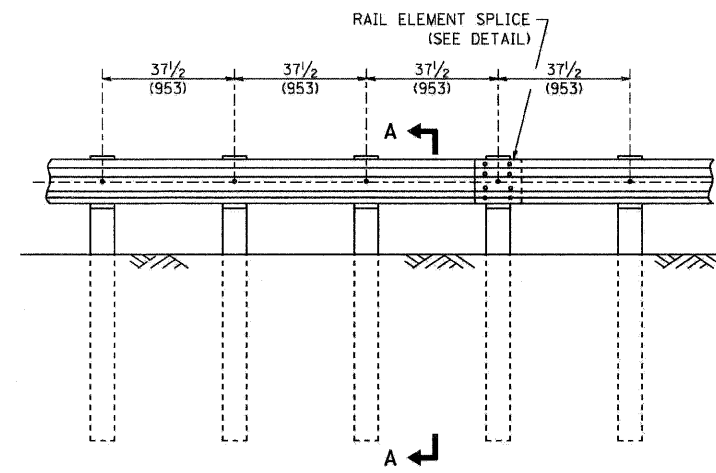


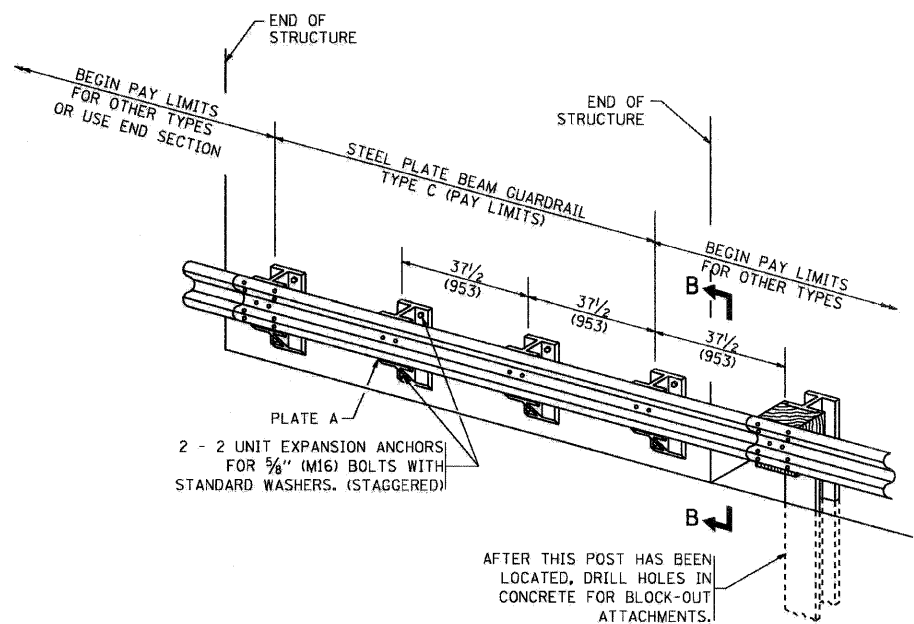
TYPE A
6'-3" (1.905 M) TYPICAL POST SPACING



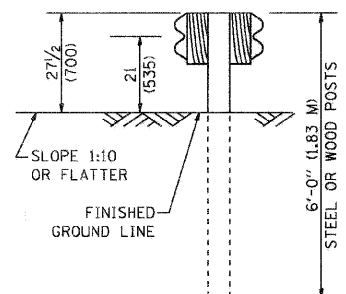
SECTION A-A



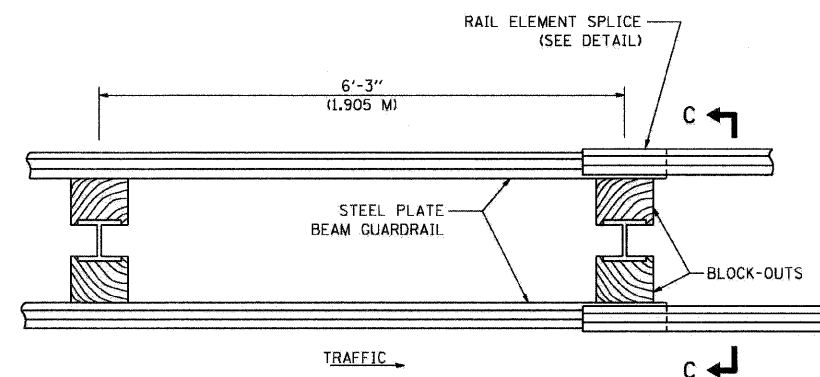
TYPE A
37 1/2 (953) CLOSED POST SPACING



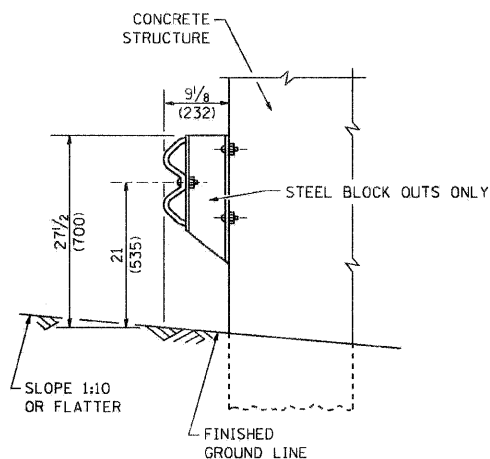
TYPE C
37 1/2 (953) BLOCK-OUT SPACING



SECTION C-C



TYPE D
DOUBLE STEEL PLATE BEAM GUARDRAIL
6'-3" (1.905 M) TYPICAL POST SPACING



SECTION B-B

GENERAL NOTES

ALL SLOPE RATIOS ARE EXPRESSED AS UNITS OF VERTICAL DISPLACEMENT TO UNITS OF HORIZONTAL DISPLACEMENT (V:H).
ALL DIMENSIONS ARE IN INCHES (MILLIMETERS) UNLESS OTHERWISE SHOWN.
THE EXISTING STEEL POSTS MAY BE DRILLED TO MATCH THE BOLT PATTERN SHOWN HEREIN FOR THE WOOD BLOCK-OUT, OR A NEW STEEL POST SHALL BE PROVIDED.
THIS DETAIL IS APPLICABLE TO THE GUARDRAIL SYSTEM USED PRIOR TO JANUARY 1, 2007. FOR DETAILS ON THE MIDWEST GUARDRAIL SYSTEM, SEE STANDARD 630001.

FILE NAME = W:\distatd\22x34\bm21.dgn	USER NAME = gaglianobt	DESIGNED -	REVISED - 10-31-06
		DRAWN -	REVISED -
		CHECKED -	REVISED -
		DATE -	REVISED -

**STATE OF ILLINOIS
DEPARTMENT OF TRANSPORTATION**

REMOVE AND REERECT STEEL PLATE BEAM GUARDRAIL			
SCALE: NONE	SHEET NO. 1 OF 4 SHEETS	STA.	TO STA.

F.A. RTE.	SECTION	COUNTY	TOTAL SHEETS	SHEET NO.
330	128R-3	LAKE	518	394
BM-21			CONTRACT NO. 60953	
FED. ROAD DIST. NO. 1 ILLINOIS FED. AID PROJECT				