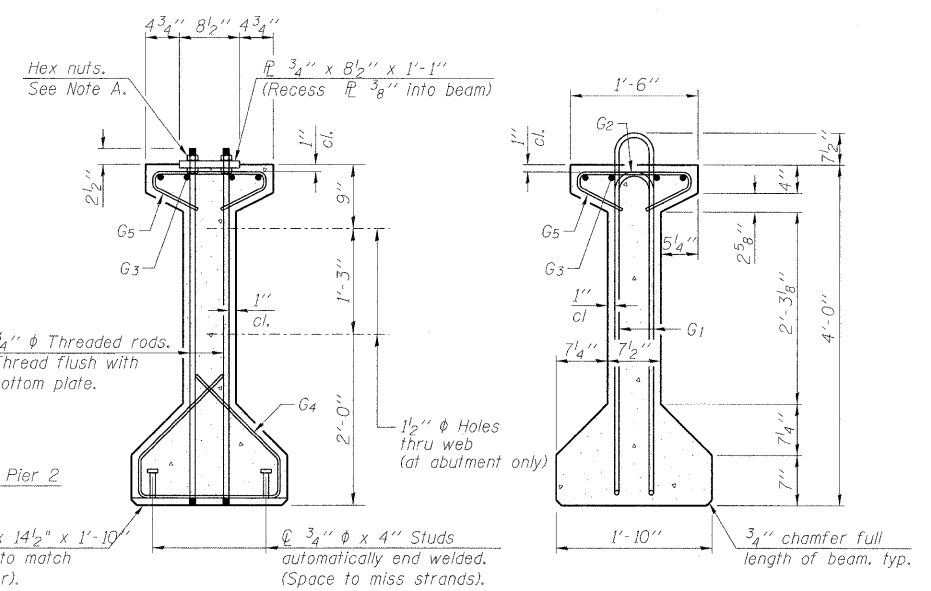


ELEVATION OF BEAM
(Showing reinforcement & dimensions)

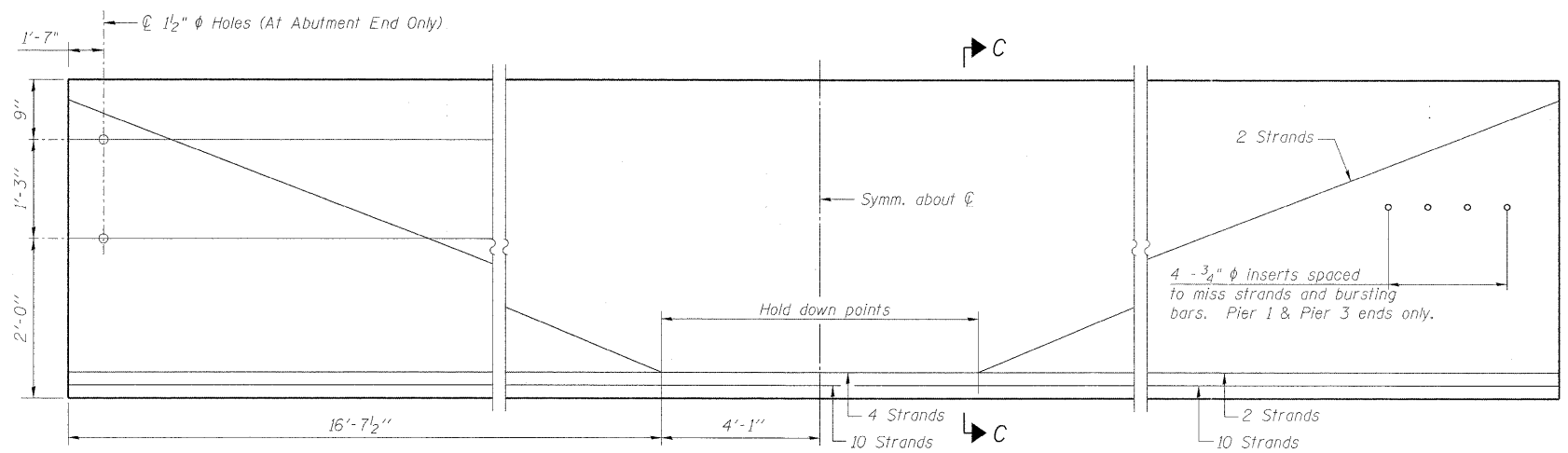
* 3 spaces at 3" = 9".
** 4-3/4" φ threaded dowel rods at 3" cts., each face.

Note A:
Hex nuts (top and bottom) with lock washers (top). Only tighten sufficiently to compress lock washers.

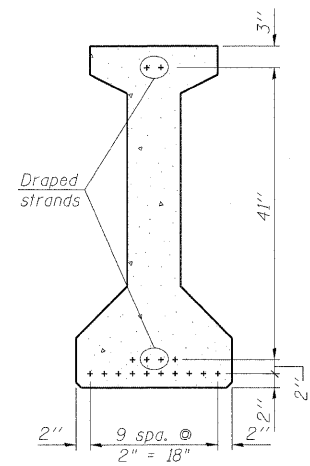


SECTION A-A

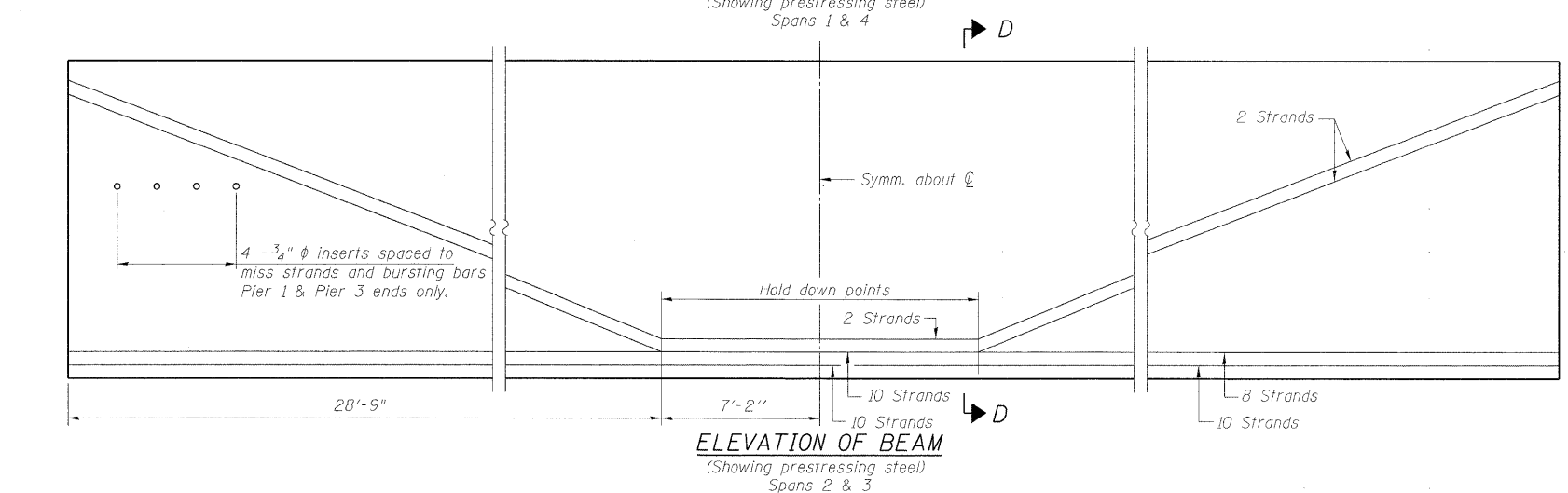
SECTION B-B



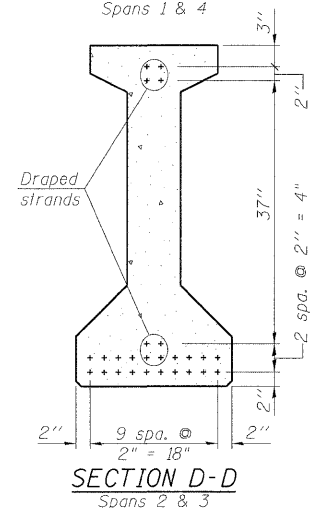
ELEVATION OF BEAM
(Showing prestressing steel)
Spans 1 & 4



SECTION C-C
Spans 1 & 4



ELEVATION OF BEAM
(Showing prestressing steel)
Spans 2 & 3



SECTION D-D
Spans 2 & 3

***** BAR LIST**
ONE BEAM ONLY

Bar	No.	Size	Length	Shape
① G ₁	47	#4	9'-6"	NL
② G ₁	77	#4	9'-6"	NL
G ₂	12	#4	5'-1"	—
① G ₃	8	#7	26'-8"	—
② G ₃	12	#7	26'-8"	—
G ₄	32	#3	5'-3"	—
① G ₅	42	#3	2'-9"	—
② G ₅	72	#3	2'-9"	—
② G ₆	2	#8	3'-9"	—

① For Spans 1 & 4 only
② For Spans 2 & 3 only

*** For Information Only

Notes:
See Beam Details 2 Sheet for additional details and Bill of Material.
Required release strength, f'ci, shall be 5,000 psi.
Holes formed with girder for permanent bracing shall be located to miss strands within permissible tolerances by the fabricator.
See Framing Plan Sheet for approximate bracing locations.
See Diaphragm Details 1 Sheet for bracing details.
For holes in fascia beams for sign supports see Bridge Mounted Sign Details Sheet.



FILE NAME = 0160199-62099-20-BEAM_1.dgn
USER NAME =
DESIGNED - JPMILLA
CHECKED - RALEE
PLOT SCALE =
DRAWN - RMKANE
PLOT DATE = 08/05/2011

DESIGNED - JPMILLA
CHECKED - RALEE
DRAWN - RMKANE
CHECKED - RALEE
REVISED -
REVISED -
REVISED -
REVISED -

STATE OF ILLINOIS
DEPARTMENT OF TRANSPORTATION

IL RT 1 - HALSTED ST. OVER I-80/294
BEAM DETAILS 1

SHEET NO. 20 OF 33 SHEETS

F.A.P. RTE.	SECTION	COUNTY	TOTAL SHEETS	SHEET NO.
876	2001-001BR	COOK	62	39
STRUCTURE NO. 016-0199		CONTRACT NO. 62099		
ILLINOIS FED. AID PROJECT				