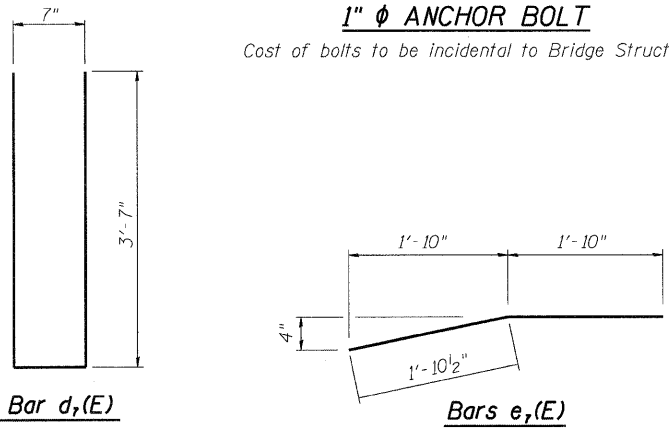


1" ϕ ANCHOR BOLT
Cost of bolts to be incidental to Bridge Structure

ELEVATION
Existing reinforcing not shown for clarity.

BILL OF MATERIAL

Item	Unit	Quantity
Concrete Structures	Cu. Yd.	16.1



MIN. BAR EMBEDMENT
#4 = 2'-6"
#6 = 3'-4"

Notes:
Provide 3/4" Chamfer on all new concrete edges.
Parapet concrete included with Concrete Superstructure.
New concrete to rebuild wingwall included in Concrete Structures.

