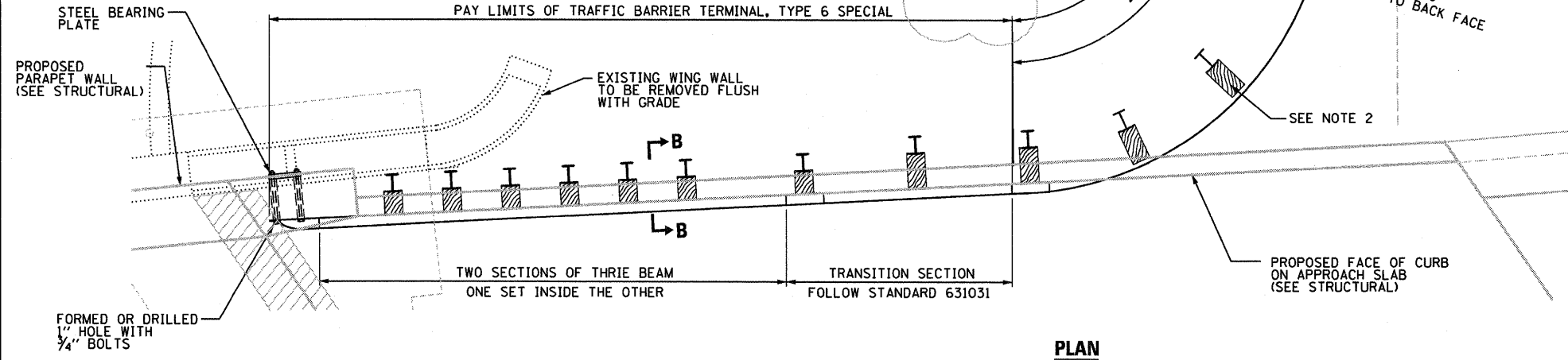


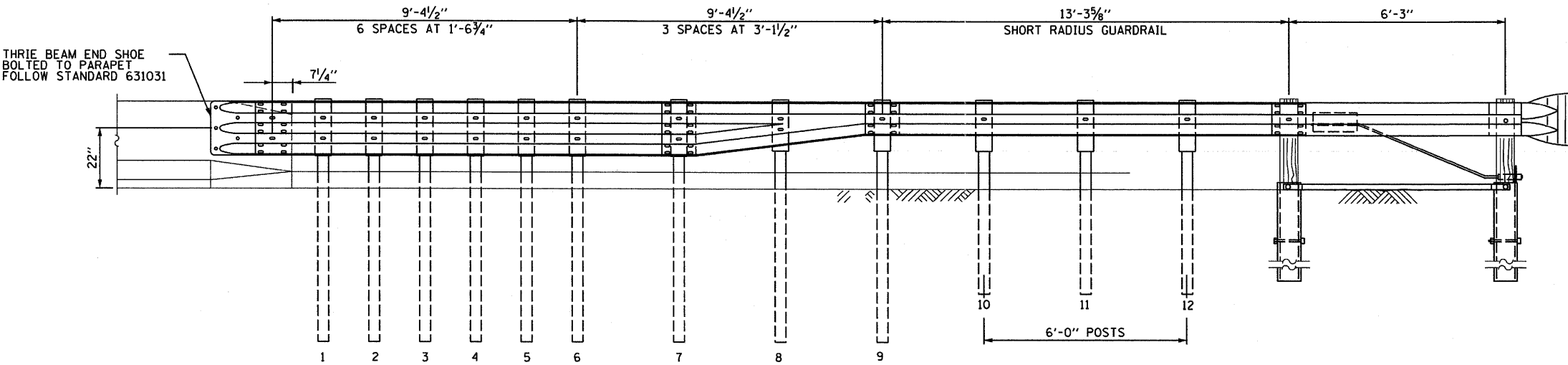


NOTES

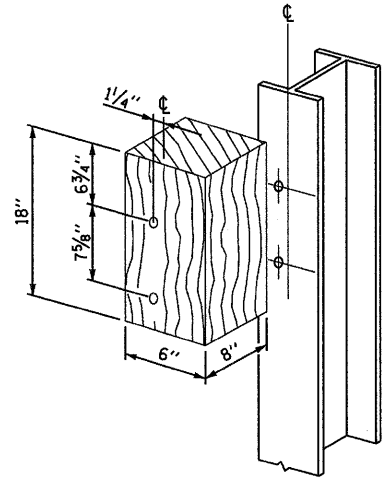
1. CONSTRUCT ACCORDING TO STANDARD 631011 FOR TRAFFIC BARRIER TERMINAL TYPE 2 USING A 6'-3" SECTION OF W-BEAM.
2. THE RAIL IS NOT BOLTED TO THE POST LOCATION AT THE MIDPOINT OF THE CURVE FOR 8.5' RADIUS CURVE.
3. GUARDRAIL SYSTEM SHALL FOLLOW STANDARDS 630001, 631011, 631031 EXCEPT AS MODIFIED ON THIS SHEET.



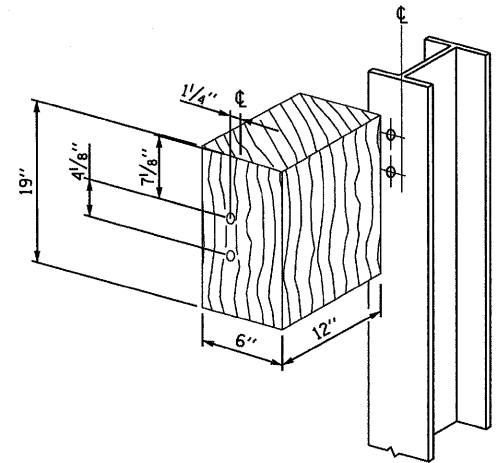
PLAN



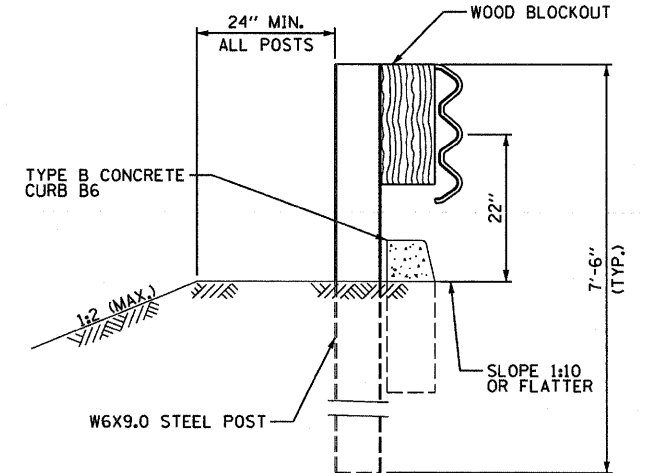
ELEVATION



POSTS 1-7 WOOD BLOCKOUT DETAIL



POST 8 WOOD BLOCKOUT DETAIL
(FOLLOW 630001 FOR POST 9-12 BLOCKOUTS)



SECTION B-B

FILE NAME = ...\\D1-62101-1-ht-guardraildetails.dgn
 PLOT TIME = 9:49:07 AM
 PLOT DATE = 6/23/2011

DESIGNED - MC
 DRAWN - MC
 CHECKED - TRP
 DATE - 06/24/2011

REVISED -
 REVISED -
 REVISED -
 REVISED -



**STATE OF ILLINOIS
 DEPARTMENT OF TRANSPORTATION**

GUARDRAIL DETAILS

SCALE: 1" = 2' SHEET NO. 1 OF 1 SHEETS STA. 59+67.67 TO STA. 60+29.47

F.A.U. RTE.	SECTION	COUNTY	TOTAL SHEETS	SHEET NO.
1257	104RB-R	LAKE	54	19
				CONTRACT NO. 62102
ILLINOIS FED. AID PROJECT				