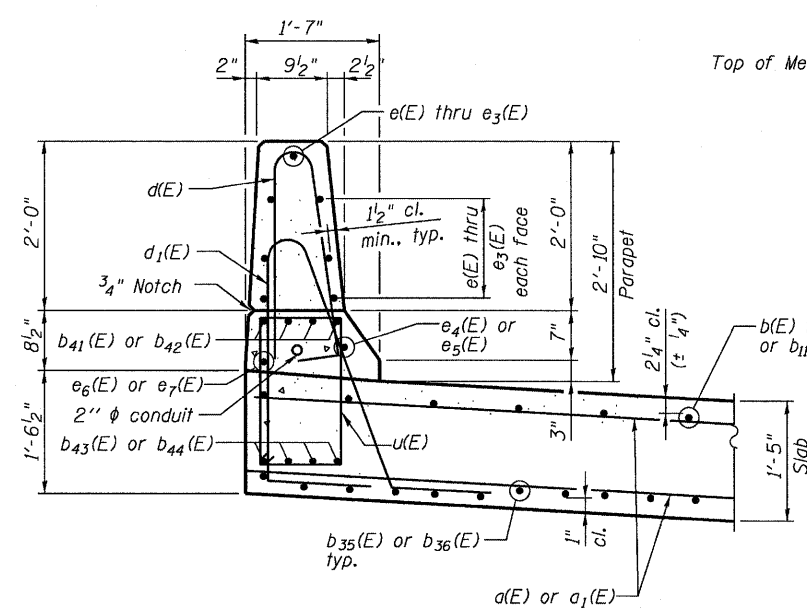


**MIDSPAN**

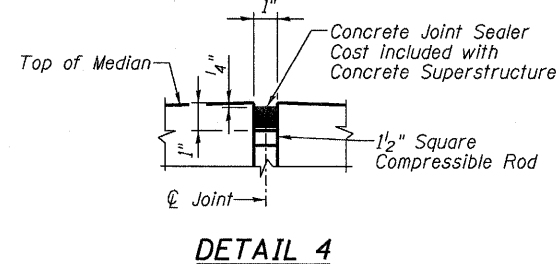
**NEAR PIER**

**CROSS SECTION**

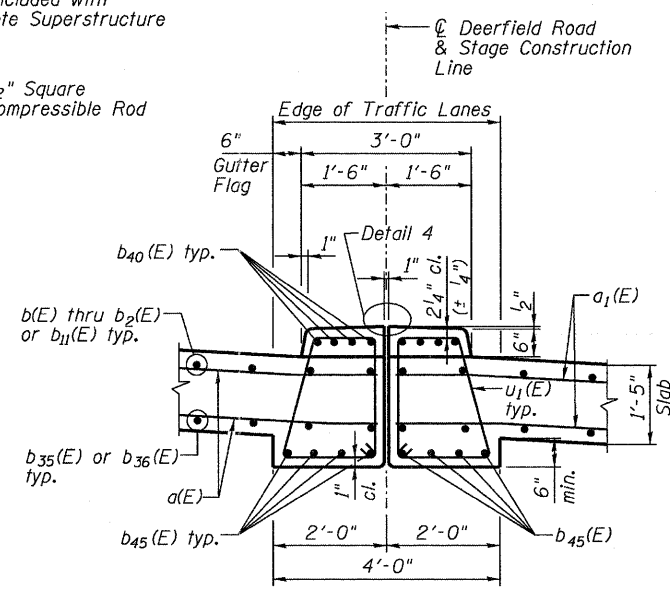
(Looking East)



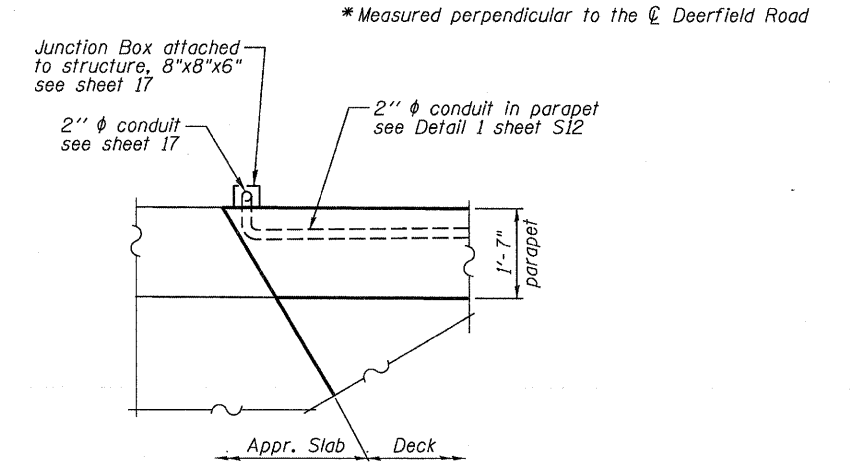
**SECTION A-A**



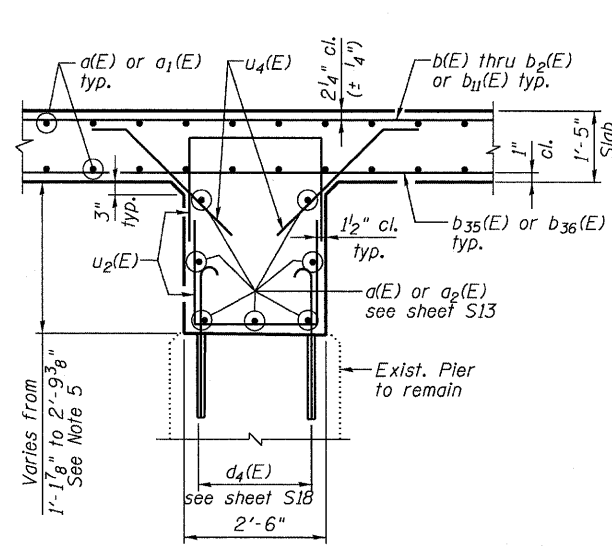
**DETAIL 4**



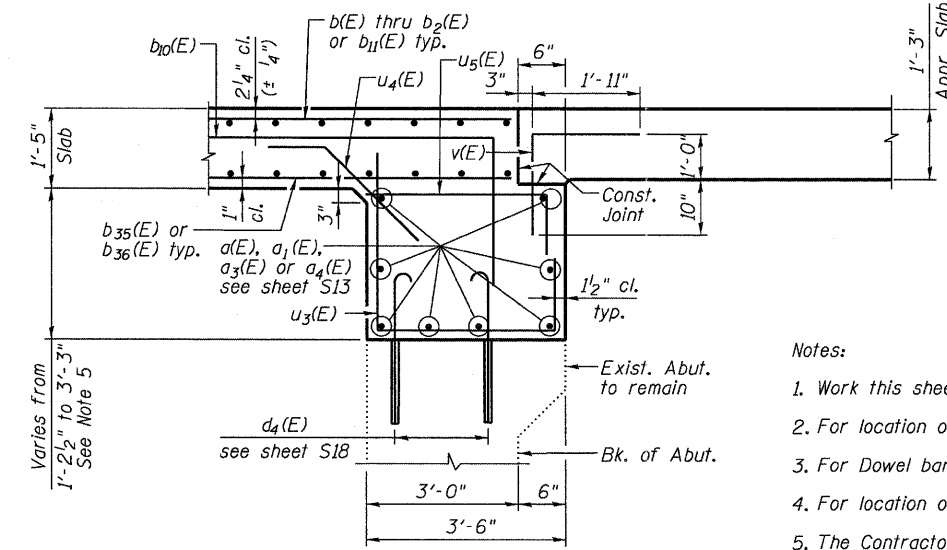
**SECTION B-B**



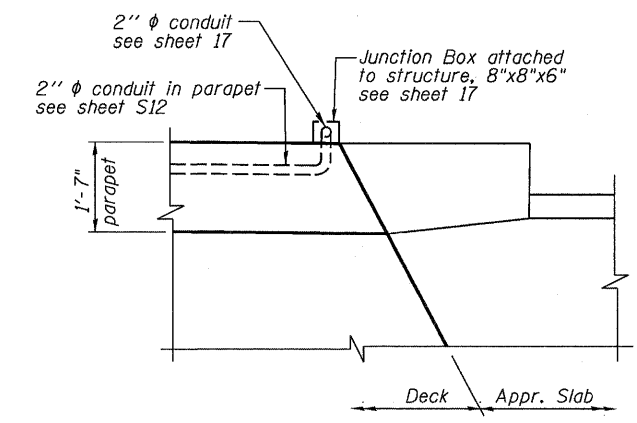
**DETAIL 2**  
(NW Corner shown, SW & SE similar)



**SECTION C-C**



**SECTION D-D**



**DETAIL 3**

**Notes:**

1. Work this sheet with sheets S9, S10, S12 and S13.
2. For location of Sections B-B thru D-D see sheets S9 and S10.
3. For Dowel bars d (E) layout see sheet S18.
4. For location of Details 2 and 3 see sheets S9 and S10.
5. The Contractor shall verify in field top of existing concrete elevations before beginning construction.

6/23/2011 2:45:57 PM P:\Projects\1000010279\CADD\CADD Sheets\Structure\049088-011-SuperDetails1.dgn

FILE NAME = ...049088-011-SuperDetails1.dgn	DESIGNED EV	REVISED -	 <b>STATE OF ILLINOIS</b> <b>DEPARTMENT OF TRANSPORTATION</b>	<b>SUPERSTRUCTURE DETAILS 1</b>		F.A.U. RTE. 1257	SECTION 104RB-R	COUNTY LAKE	TOTAL SHEETS 54	SHEET NO. 30	
PLOT TIME = 2:45:57 PM	DRAWN EV	REVISED -		STRUCTURE NO. 049-0088		CONTRACT NO. 62102		ILLINOIS FED. AID PROJECT			
PLOT DATE = 6/23/2011	CHECKED PC	REVISED -		SHEET NO. S11 OF S22 SHEETS							
	DATE 06 24 2011	REVISED -									
		REVISED -									