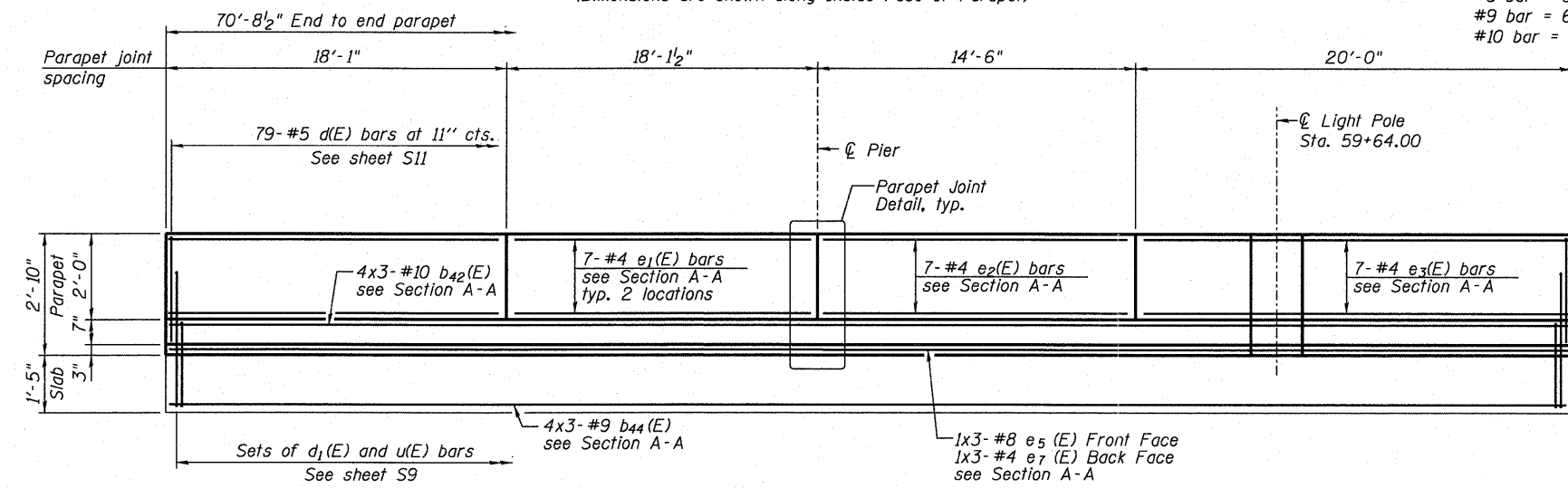
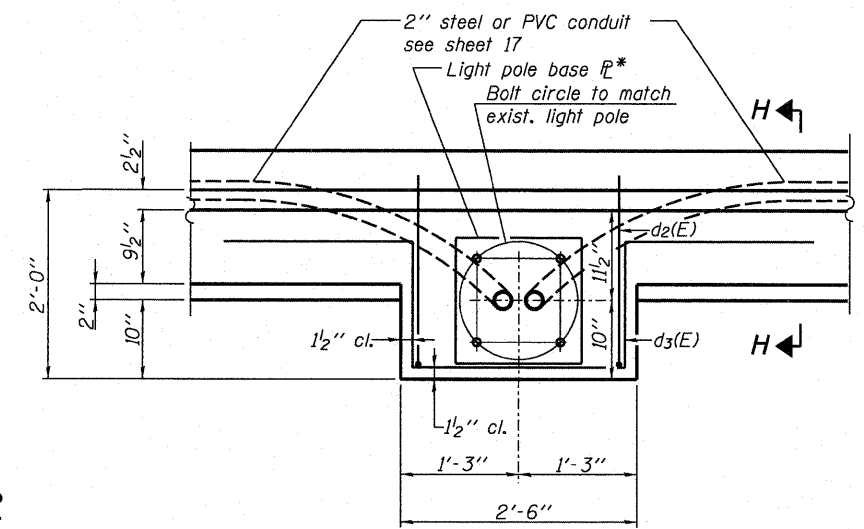


INSIDE ELEVATION OF NORTH PARAPET
(Dimensions are shown along Inside Face of Parapet)

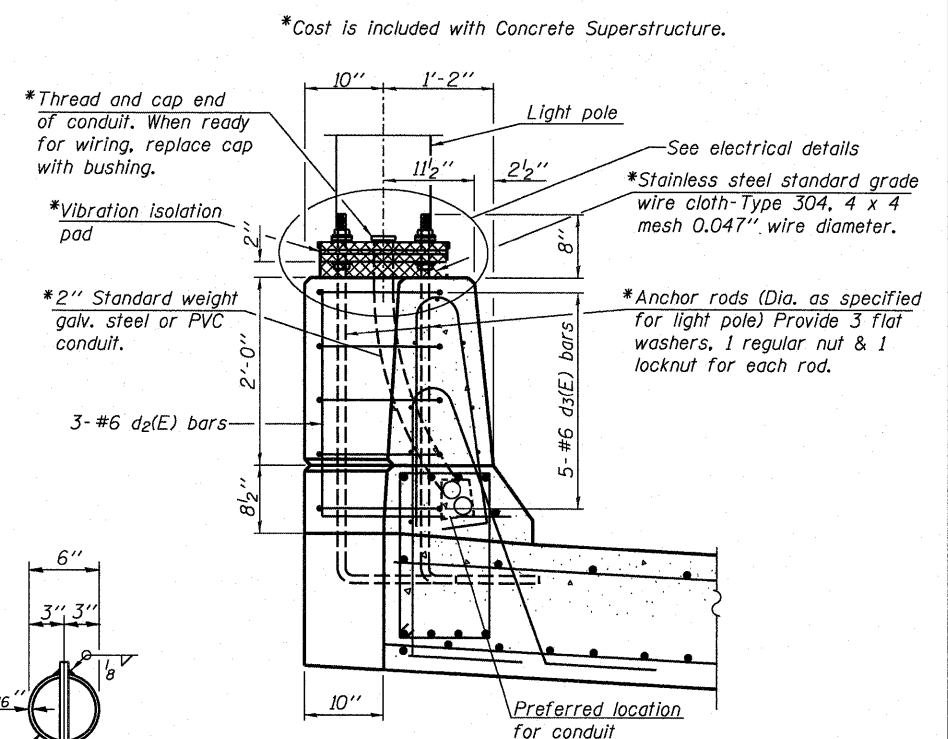


INSIDE ELEVATION OF SOUTH PARAPET
(Dimensions are shown along Inside Face of Parapet)

MINIMUM BAR LAP
(Parapet)
#4 bar = 2'-0"
#8 bar = 5'-2"
#9 bar = 6'-7"
#10 bar = 8'-4"

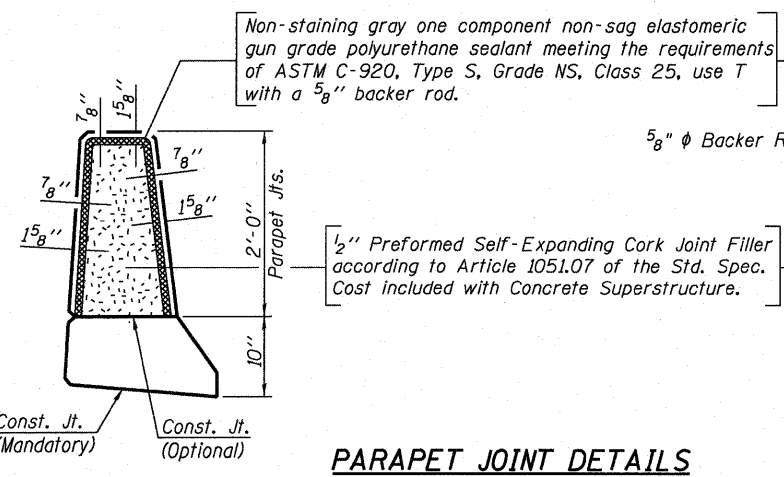


DETAIL 1

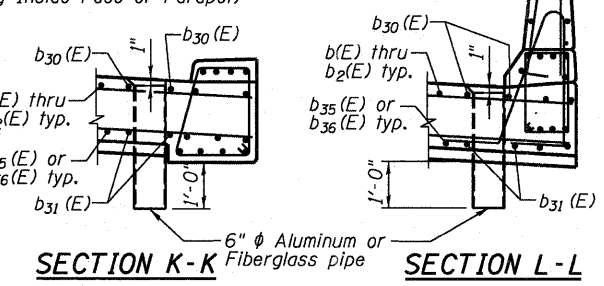


SECTION H-H

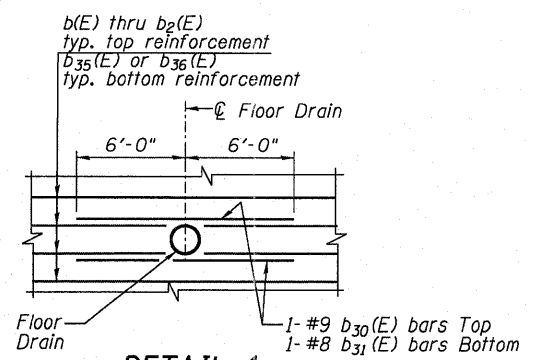
- Notes:
1. Work this sheet with sheets S9 thru S11 and S13.
 2. For location of parapets, Section K-K and L-L and Details 1 and 4 see sheets S9 and S10.
 3. For Section A-A see sheet S11.
 4. For details on Light Pole Mounted on Concrete Parapet Wall, see BE-329
 5. Fiberglass pipe shall conform to ASTM D2996, with short-time rupture strength hoop tensile stress of 30,000 p.s.i. minimum.
 6. The exterior surface of the floor drains shall be coated or pigmented by the manufacturer with a color that matches the concrete.
 7. Bars indicated thus 2 x 3-#5 etc. indicates 2 lines of bars with 3 lengths per line.



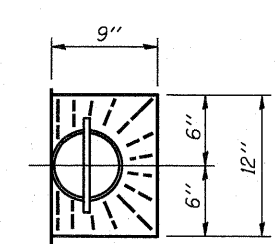
PARAPET JOINT DETAILS



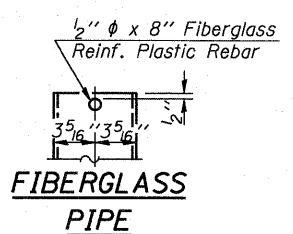
SECTION K-K and **SECTION L-L**



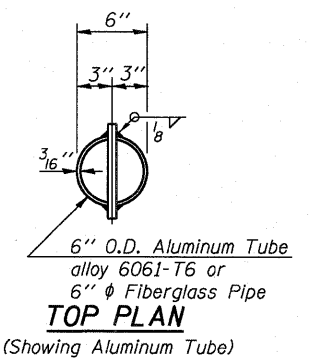
DETAIL 4



TOP PLAN



FIBERGLASS PIPE



ALUMINUM TUBE

8/9/2011 2:24:10 PM P:\Projects\1000010273\CAD\CADD Sheets\Structural\0490088-012-SuperDetails2.dgn

FILE NAME = ...0490088-012-SuperDetails2.dgn	DESIGNED EV	REVISED -	<p>300 WEST FLATON STREET CHICAGO, ILLINOIS 60661-1299</p> <p>TEL 312 454 9100 FAX 312 559 1217 WEB www.sepstein.com</p>	STATE OF ILLINOIS DEPARTMENT OF TRANSPORTATION		SUPERSTRUCTURE DETAILS 2 STRUCTURE NO. 049-0088		F.A.U. RTE. 1257	SECTION 104RB-R	COUNTY LAKE	TOTAL SHEETS 54	SHEET NO. 31
PLOT TIME = 2:24:10 PM	DRAWN EV	REVISED -		SHEET NO. S12 OF S22 SHEETS		CONTRACT NO. 62102		ILLINOIS FED. AID PROJECT				
PLOT DATE = 8/9/2011	CHECKED PC	REVISED -										
	DATE 08 09 2011	REVISED -										