

* Drill and Grout Dowel Bars shall comply with requirements of Section 584 of Standard Specification. Cost included with Reinforcement Bars, Epoxy Coated.

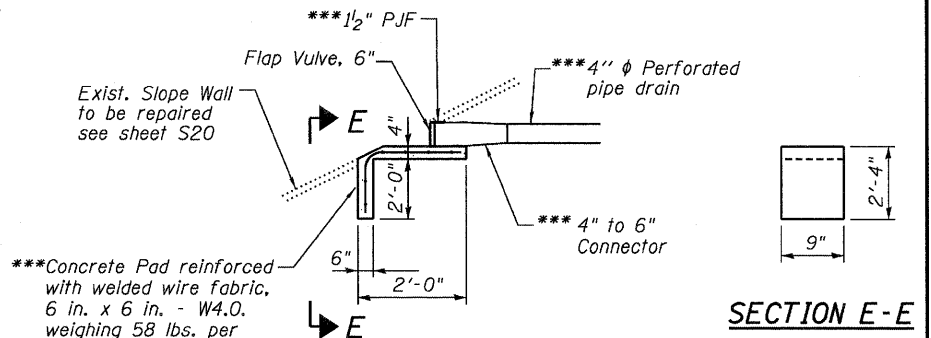
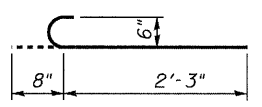
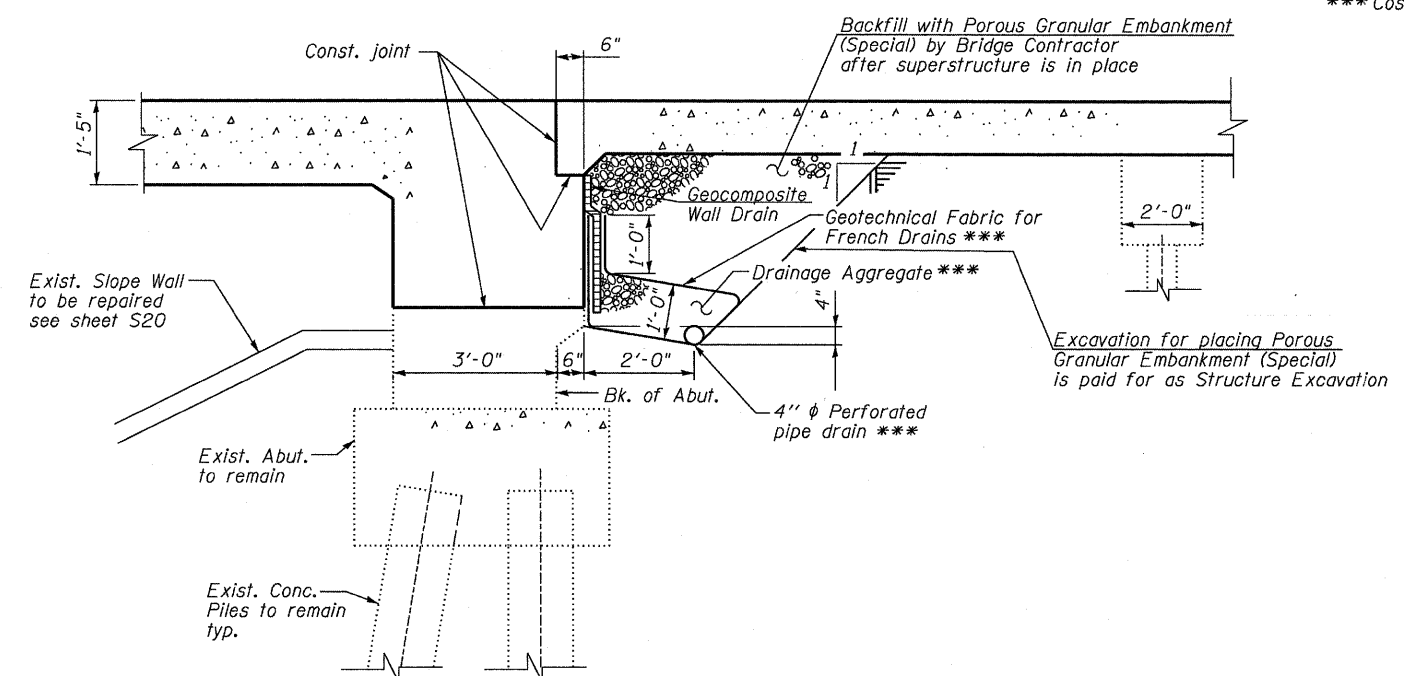
** Extend pipe parallel with the cap and through exist. wingwall until intersection with the slope wall. Discharge to East Skokie Ditch

*** Cost included with "Pipe Underdrains for Structures, 4"

DOWEL AND DRAINAGE PIPES LAYOUT

BILL OF MATERIAL

Bar	No.	Size	Length	Shape
* d ₄ (E)	556	#6	2'-11"	C
Porous Granular Embankment, Special			Cu. Yd.	78
Structure Excavation			Cu. Yd.	98
Reinforcement Bars, Epoxy Coated			Pound	2,440
Geocomposite Wall Drain			Sq. Yd.	65
Pipe Underdrains for Structures 4"			Foot	217



- Notes:**
- For Sections C-C and D-D see sheet S11.
 - All dimensions related to existing structure are taken from the existing plans and shown for information only. The Contractor shall verify in field before beginning construction.

6/23/2011 2:46:09 PM P:\Projects\100001078\CAD\CADD Sheets\Structure\0490088-018-AbutPierDetails.DGN

FILE NAME =	DESIGNED EV	REVISED -	<p>600 WEST FULTON STREET CHICAGO, ILLINOIS 60601-1209 TEL 312 454 9100 FAX 312 559 1217 WEB www.sepsteincorp.com</p>	<p align="center">STATE OF ILLINOIS DEPARTMENT OF TRANSPORTATION</p>	<p align="center">ABUTMENT AND PIER MODIFICATION DETAILS STRUCTURE NO. 049-0088</p>	F.A.U. RTE.	SECTION	COUNTY	TOTAL SHEETS	SHEET NO.
... \0490088-018-AbutPierDetails.DGN	DRAWN EV	REVISED -				1257	104RB-R	LAKE	54	37
PLOT TIME = 2:46:09 PM	CHECKED PC	REVISED -				CONTRACT NO. 62102				
PLOT DATE = 6/23/2011	DATE 06 24 2011	REVISED -				ILLINOIS FED. AID PROJECT				
SHEET NO. 518 OF 522 SHEETS										
CONTRACT NO. 62102										