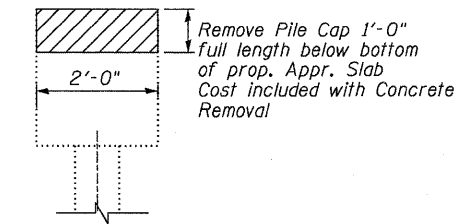
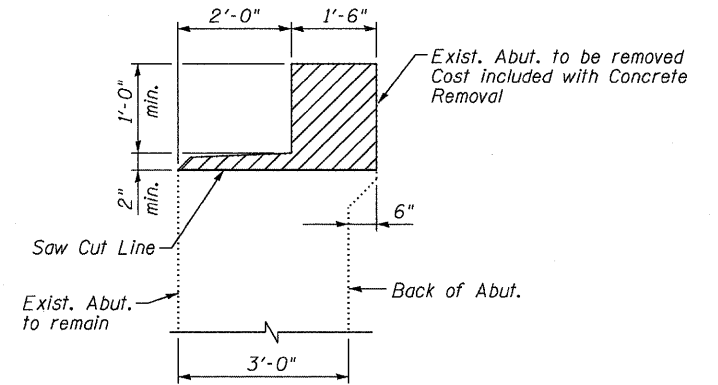


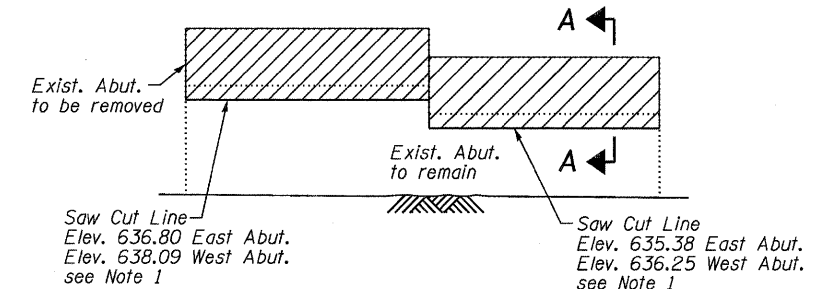
CONCRETE REMOVAL SKETCH



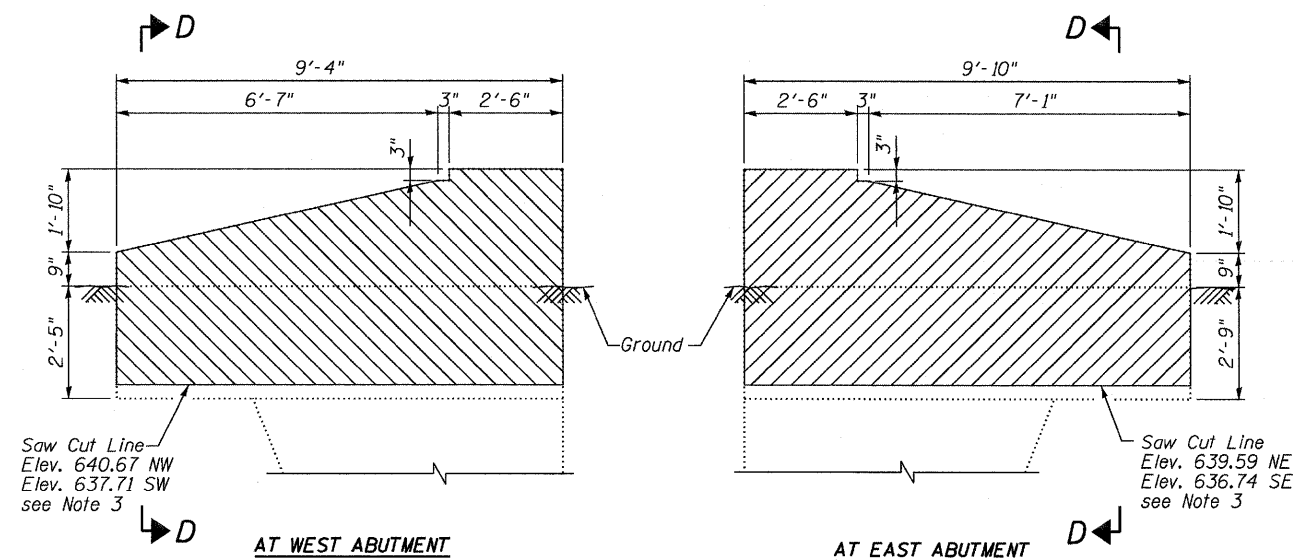
SECTION B-B



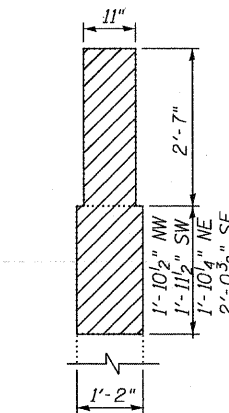
SECTION A-A



SECTION C-C



EXISTING WINGWALLS CONCRETE REMOVAL SKETCH



SECTION D-D

BILL OF MATERIAL

ITEM	UNIT	QUANTITY
Concrete Removal	Cu. Yd.	36

Notes:

- All dimensions are taken from the existing plans and shown for information only. The Contractor shall verify in field before beginning construction.
- The Contractor shall roughen existing surface of abutments and backwalls remove and dispose any loose and unsound concrete as directed by the Engineer. Cost included with Concrete Removal.
- Saw Cut elevations shall match appropriate Bottom of Approach Slab elevations. Contractor to verify in field before beginning construction.

LEGEND

Concrete Removal

6/23/2011 2:46:11 PM P:\Projects\1000010273\CAD\CADD Sheets\Structural\0490088-015-AbutPierDetails.dgn

FILE NAME =	DESIGNED EV	REVISED -
...0490088-019-AbutPierDetails.dgn	DRAWN EV	REVISED -
PLOT TIME = 2:46:11 PM	CHECKED PC	REVISED -
PLOT DATE = 6/23/2011	DATE 06 24 2011	REVISED -

DESIGNED EV	REVISED -
DRAWN EV	REVISED -
CHECKED PC	REVISED -
DATE 06 24 2011	REVISED -

SEPSTEIN
 800 WEST FULTON STREET
 CHICAGO, ILLINOIS 60611-1209
 TEL. 312 454 9100
 FAX 312 559 1217
 WEB www.sepsteincivil.com

STATE OF ILLINOIS
 DEPARTMENT OF TRANSPORTATION

ABUTMENT REMOVAL DETAILS
 STRUCTURE NO. 049-0088
 SHEET NO. 519 OF 522 SHEETS

F.A.U. RTE.	SECTION	COUNTY	TOTAL SHEETS	SHEET NO.
1257	104RB-R	LAKE	54	38
CONTRACT NO. 62102			ILLINOIS FED. AID PROJECT	