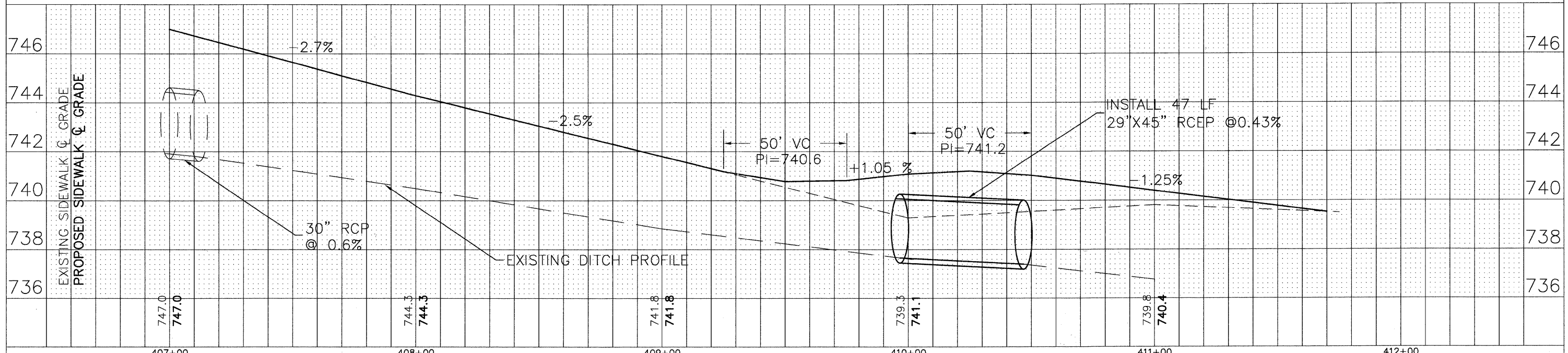
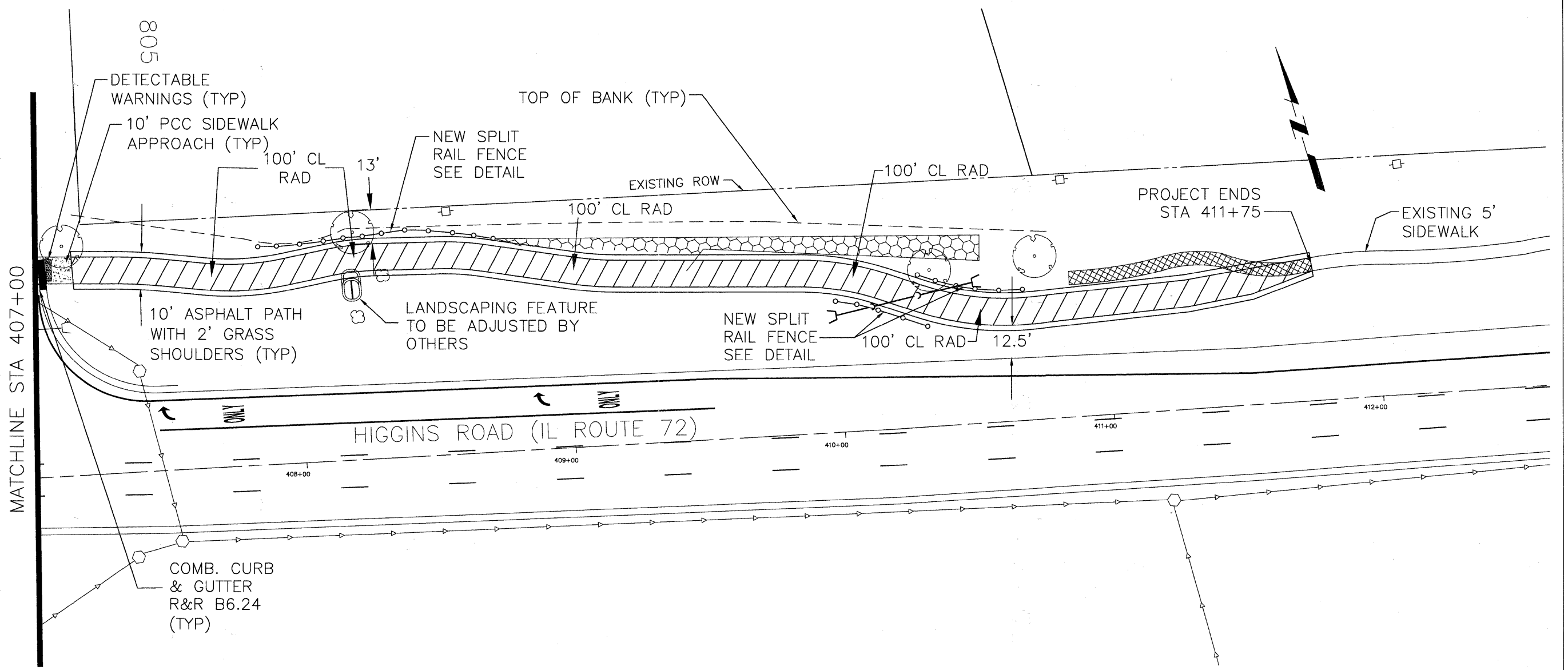


PLAN	SURVEYED	DATE	BY
	PLOTTED		
	CHECKED		
	BY		
	NO. OF WAY CHECKED		
	DATE		
	NO.		
	CAUTION NAME		

PROFILE	SURVEYED	DATE	BY
	PLOTTED		
	CHECKED		
	BY		
	NO. OF WAY CHECKED		
	DATE		
	NO.		
	STRUCTURE NOTATIONS C/P/D		



FILE NAME = Higgins Bike Path-Plan & Profile.dwg	DESIGNED -	REVISED -		VILLAGE OF HOFFMAN ESTATES 1900 Hassell Road, Hoffman Estates, IL 60169 Phone Number: 847 252-5800	Higgins Road Bicycle and Pedestrian Project Plan and Profile - Higgins Road	F.A.P. RTE. 341	SECTION 08-00080-00-BT	COUNTY Cook	TOTAL SHEETS 86	SHEET NO. 17
	DRAWN -	REVISED -		SCALE: 1" = 20'	SHEET NO. 11 OF 11 SHEETS	STA. 407+00 TO STA. 412+00	CONTRACT NO. 63233		ILLINOIS FED. AID PROJECT CMM 9003(243)	
	CHECKED -	REVISED -								
	DATE -	REVISED -								