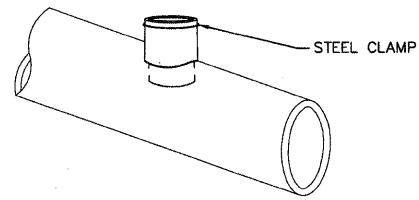


HEAVY DUTY
MAT'L ASTM A48 CL35
MACHINED BEARING SURFACE
COVER WT: 125 LBS (56.7 kg)

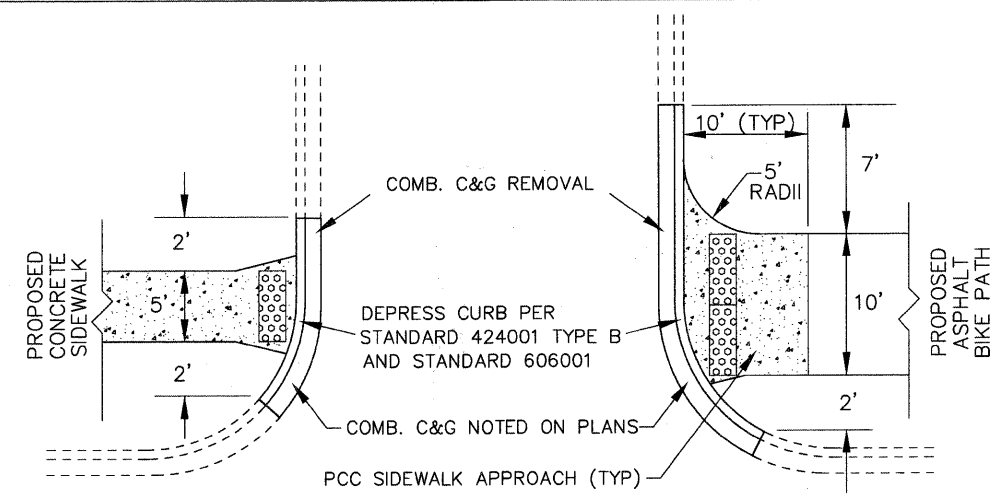
STORM COVER DETAIL



KOR-N-TEE CONNECTOR OR APPROVED EQUAL

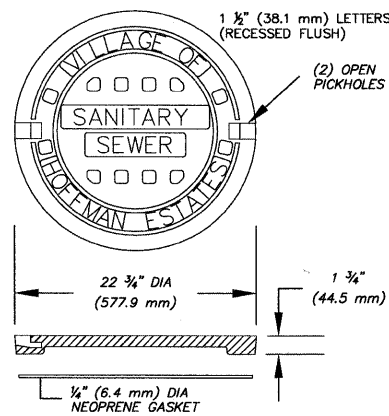
NOTES:

1. THE HOFFMAN ESTATES DEPARTMENT OF PUBLIC WORKS 847 490-6800 AND THE ENGINEERING DIVISION 847 252-5800 SHALL BE NOTIFIED BEFORE THE COMMENCEMENT OF WORK AND WHEN THE PIPE IS EXPOSED.
2. THE CONNECTION SHALL BE BACKFILLED COMPLETELY TO WITHIN SIX INCHES OF THE GROUND SURFACE WITH CA-6, CRUSHED STONE OR GRAVEL.
3. ONLY A PROFESSIONAL CONTRACTOR SHALL INSTALL THE CONNECTOR ACCORDING TO MANUFACTURERS REQUIREMENTS. THE PUBLIC WORKS DEPARTMENT IS NOT AVAILABLE TO ASSIST IN THE DIRECT CONNECTION TO THE STORM SEWER.
4. KOR-N-TEE SEWER CONNECTORS, PART NO. 006-5 THRU 9, OR APPROVED EQUAL.
5. EXISTING PIPE SHALL BE CORED ONLY TO GAIN ACCESS.



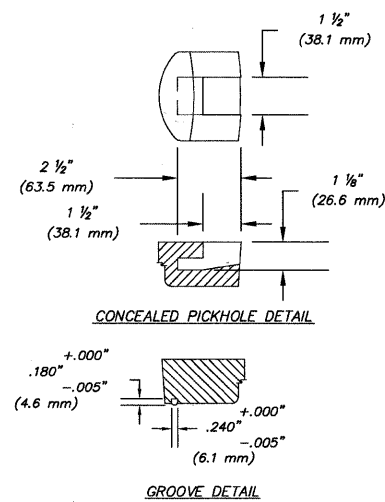
PROPOSED DEPRESSED CURB & GUTTER
EXIST. CURB & GUTTER NOT DEPRESSED

TYPICAL PCC SIDEWALK
APPROACH FOR BIKE PATH



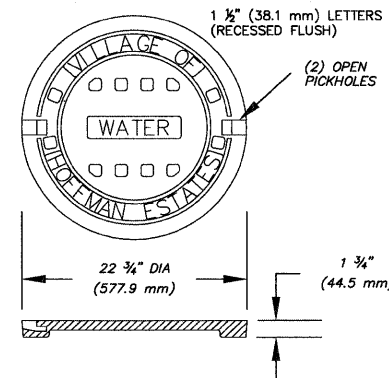
HEAVY DUTY
MAT'L ASTM A48 CL35
MACHINED BEARING SURFACE
COVER WT: 125 LBS (56.7kg)

SANITARY COVER DETAIL



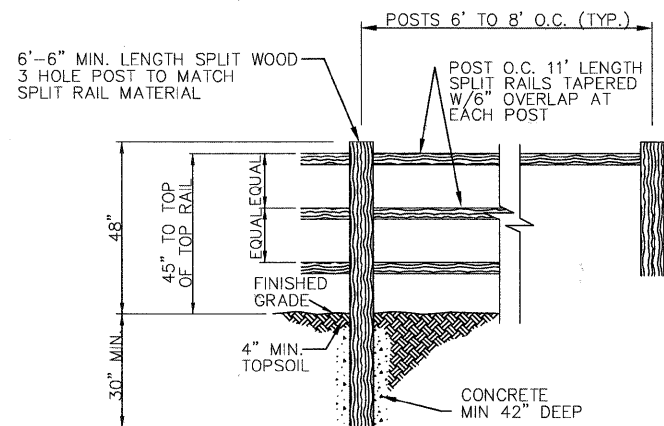
MANHOLE COVER WITH
GROOVED GASKET SEAL
& CONCEALED PICKHOLES
TO REDUCE SURFACE
WATER INFLOW.

DIRECT CONNECTION TO
STORM SEWER DETAIL



HEAVY DUTY
MAT'L ASTM A48 CL35
MACHINED BEARING SURFACE
COVER WT: 125 LBS (56.7 kg)

WATER COVER DETAIL



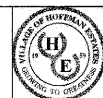
3-RAIL SPLIT RAIL FENCE DETAIL

POST NOTES:
EACH POST SHALL BE SET
IN CONCRETE MIN. 42" DEPTH

WOOD NOTES:
ALL WOOD SHALL BE CEDAR

GENERAL NOTE:
CONTRACTOR TO SUBMIT SHOP
DRAWING OF PROPOSED MATERIAL
AND SAMPLES OF TYPICAL POST
AND RAIL FOR APPROVAL PRIOR TO
INSTALLATION

FILE NAME = DETAILSH.DWG	DESIGNED —	REVISED —
	DRAWN —	REVISED —
	CHECKED —	REVISED —
	DATE —	REVISED —



VILLAGE OF
HOFFMAN ESTATES
1900 Hassell Road, Hoffman Estates, IL 60169
Phone Number: 847 252-5800

Higgins Road Bicycle and Pedestrian Project
Village Detail Sheet
SCALE: NONE SHEET NO. 1 OF 1 SHEETS STA. TO STA.

F.A.P. RTE. 341	SECTION 08-00080-00-BT	COUNTY Cook	TOTAL SHEETS 86	SHEET NO. 66
CONTRACT NO. 63233			ILLINOIS FED. AID PROJECT CMM 9003(243)	