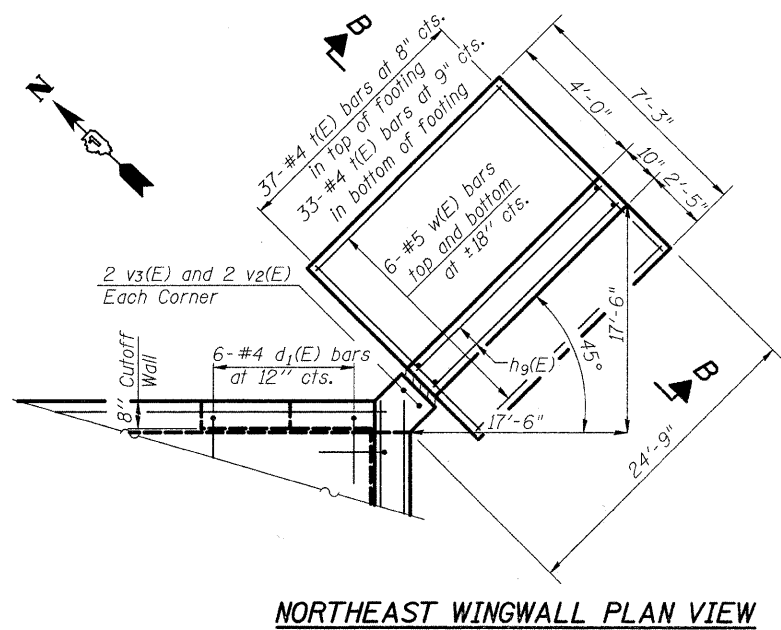
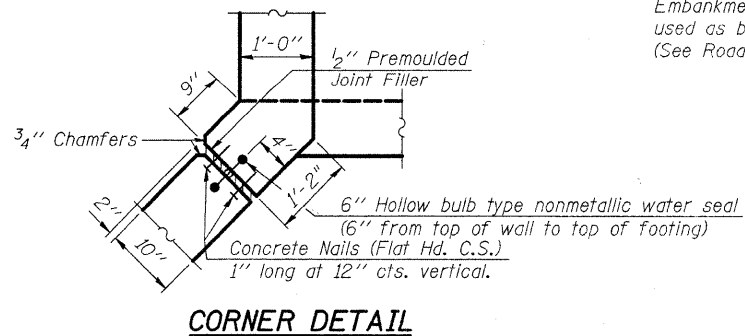


NORTH EAST WINGWALL DETAILS
See Sheet 2 of 5 for Barrel Reinforcement.

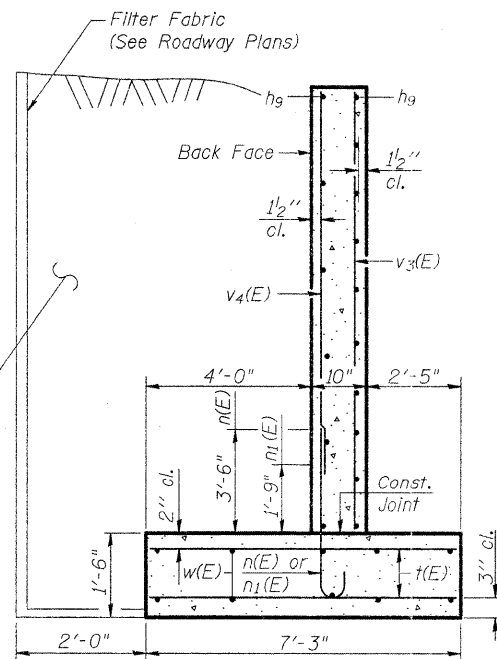


NORTHEAST WINGWALL PLAN VIEW

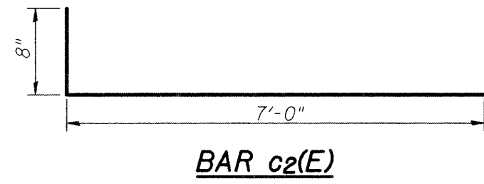


CORNER DETAIL

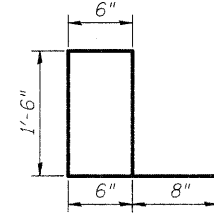
Porous Granular Embankment to be used as backfill. (See Roadway Plans)



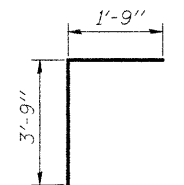
SECTION B-B



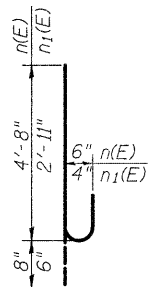
BAR c2(E)



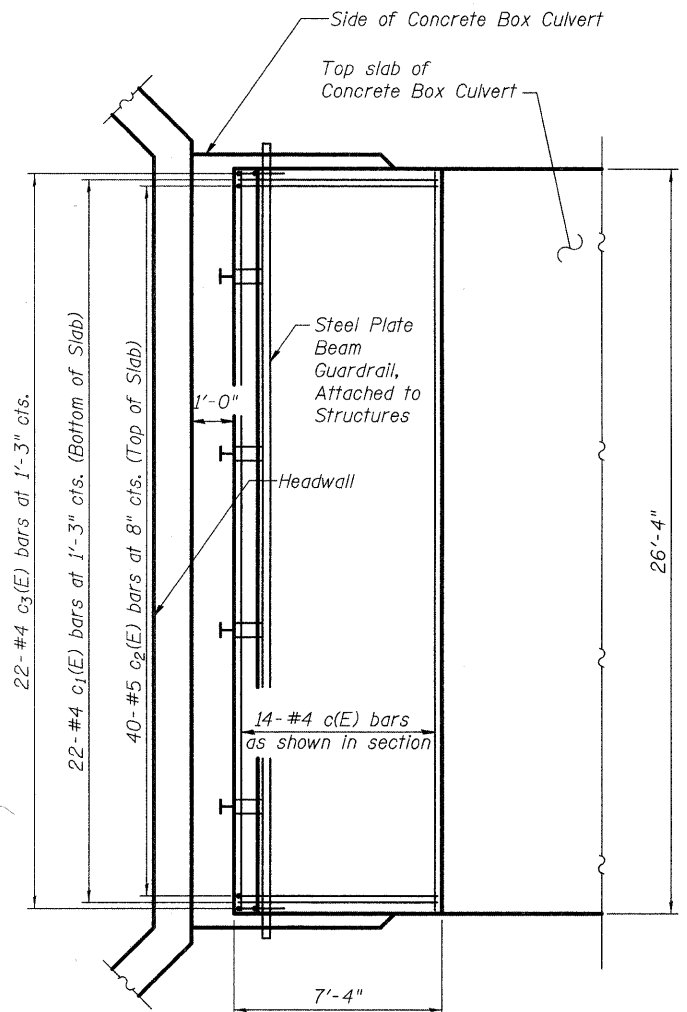
BAR c3(E)



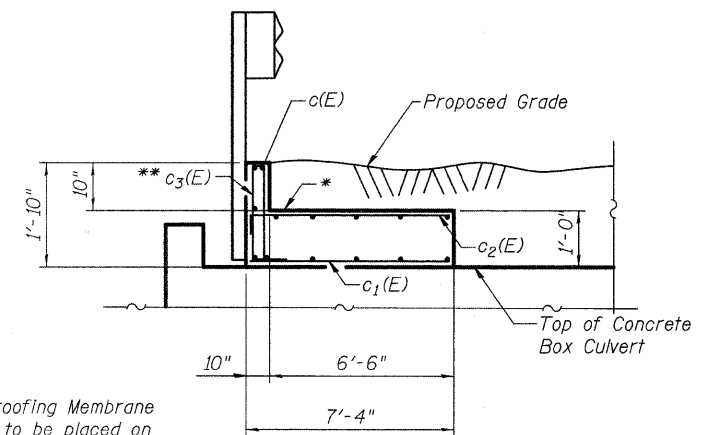
BAR d1(E)



BARS n(E) and n1(E)



MOMENT SLAB PLAN VIEW



SECTION C-C

* Waterproofing Membrane System to be placed on moment slab on all exposed faces. Waterproofing Membrane System not to be placed between moment slab and Concrete Box Culvert.
** Space to avoid conflict with Anchor Bolts For Guardrail.

Note: Guardrail to be Mounted on Moment Slab per Highway Standard 630.101 Case I.

Notes: Reinforcement bars, Concrete Structures and Concrete Box Culverts included in Bill of Material on sheet 2 of 5.

STATE OF ILLINOIS
DEPARTMENT OF TRANSPORTATION

CULVERT DETAILS
STRUCTURE NO. 022-6006

F.A.U. RTE. 2534	SECTION 02-00068-00-BR	COUNTY DuPAGE	TOTAL SHEETS 15	SHEET NO. 11
CONTRACT NO. 63561				

FILE NAME = S:\JUL\6200-6299\A6253\08\Wioros\Sheets\STR\Plans\0226006-X-DETAILS-003.dgn

1170 SOUTH HOBOLT ROAD
JOLIET, ILLINOIS 60431
(815) 744-4200
STRAND
ENGINEERS

USER NAME = brianf	DESIGNED RRD	REVISOR -
PLLOT SCALE =	CHECKED AJS	REVISOR -
PLLOT DATE = 2/8/2011	DRAWN BJF	REVISOR -
	CHECKED RRD	REVISOR -

SHEET NO. 3 OF 5 SHEETS

ILLINOIS FED. AID PROJECT