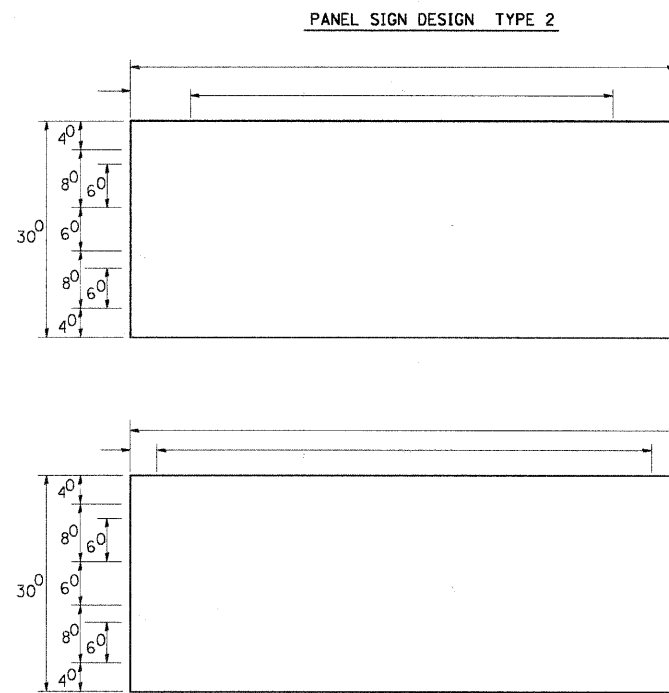


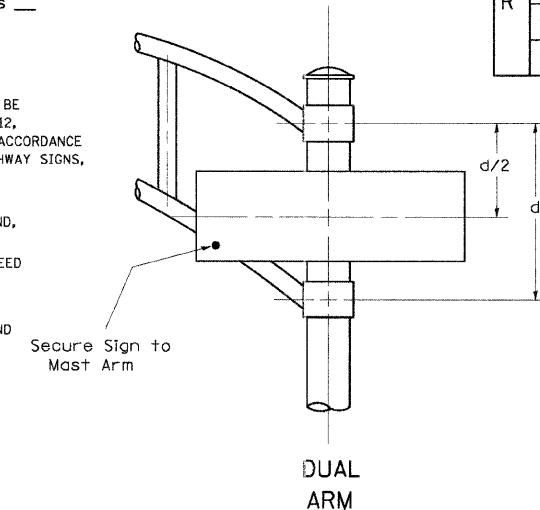
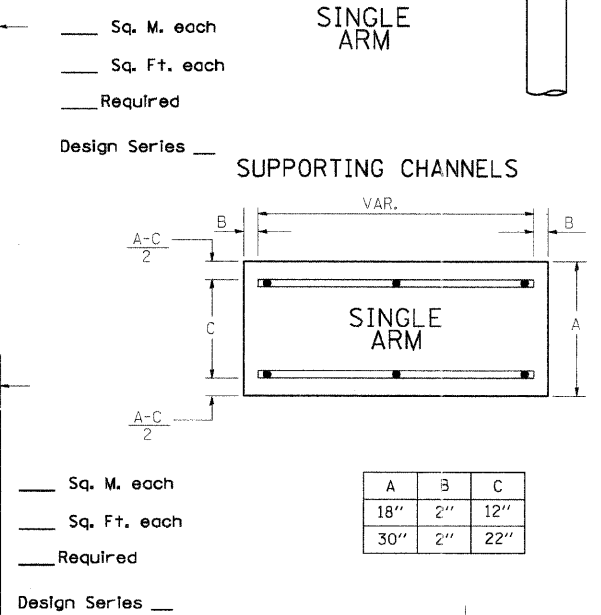
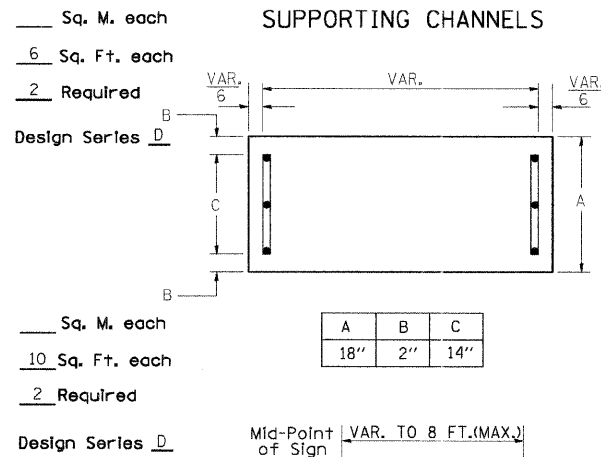
NOTE: SIGN DIMENSIONS ARE IN ENGLISH UNITS



GENERAL NOTES

- WHERE MAST ARM MOUNTED STREET NAME SIGNS ARE SPECIFIED, THE MAST ARM ASSEMBLY AND POLES SHALL BE DESIGNED TO SUPPORT THE LOADINGS CALLED FOR ON STANDARDS 877001, 877002, 877006, 877011 AND 877012, AS APPLICABLE, PLUS TWO (2) SIGN PANELS 2'-6" x 8'-0" MOUNTED AS SHOWN. THE DESIGN SHALL BE IN ACCORDANCE WITH THE REQUIREMENTS OF THE CURRENT "STANDARD SPECIFICATIONS FOR STRUCTURAL SUPPORTS FOR HIGHWAY SIGNS, LUMINAIRES, AND TRAFFIC SIGNALS" AS PUBLISHED BY THE AMERICAN ASSOCIATION OF STATE HIGHWAY AND TRANSPORTATION OFFICIALS FOR 80 M.P.H. WIND VELOCITY.
- ALL SIGNS SHALL HAVE A WHITE REFLECTORIZED LEGEND AND BORDER ON A GREEN REFLECTORIZED BACKGROUND, TYPE A SHEETING.
- THE SIGN LENGTH SHOULD BE INCREASED IN 6-INCH INCREMENTS, BUT THE OVERALL LENGTH SHOULD NOT EXCEED 8'-0".
- ALL BORDERS SHALL BE 3/4" WIDE AND CORNER RADIUS SHALL BE 2-1/4" .
- SIGNFIX ALUMINUM CHANNEL FRAMING SYSTEM SHALL BE USED FOR ALL SIGNS ATTACHED TO SIGNAL POLES AND POSTS. LOCAL SUPPLIERS OF THE SIGNFIX ALUMINUM CHANNEL FRAMING SYSTEM ARE:
 - * J.O. HERBERT CO. MIDLOTHIAN, VA.
 - * WESTERN REMAC INC. WOODRIDGE, IL.

PARTS LISTING:
 SIGN CHANNEL PART #HPN053 (MED. CHANNEL)
 SIGN SCREWS 1/4" x 14 x 1" H.W.H. #3
 SELF TAPPING WITH NEOPRENE WASHER
 BRACKETS PART #HPN034 (UNIVERSAL)
 CHANNEL CLAMPS WITH STAINLESS STEEL STRAPPING
 OTHER BRANDS OF MOUNTING HARDWARE ARE ACCEPTABLE, BASED UPON THE DEPARTMENT'S APPROVAL AND COMPATIBILITY WITH THE CHANNEL/BACKET OF THE ABOVE PRODUCT.



SIGNFIX ALUMINUM CHANNEL FRAMING SYSTEM shall be used. See Note #5.

Upper Case To Lower Case Spacing Chart 8-6 Inch Series "C & D"

SERIES	SECOND LETTER															
	acde		g h i j		k l m n		o p q r		s t		v y		x		z	
	C	D	C	D	C	D	C	D	C	D	C	D	C	D	C	D
A W X	12	14	14	15	12	14	06	10	11	14	06	10	11	12	12	14
B	14	15	20	21	14	15	11	12	14	15	12	14	12	14	16	17
C E G	14	15	20	21	12	14	06	10	12	14	12	14	14	15	14	15
D O Q R	14	15	20	21	14	15	06	10	12	14	12	14	14	15	14	15
F	05	06	14	15	06	10	05	06	06	10	06	10	06	10	11	12
H I M N	20	21	22	24	20	21	14	15	16	17	16	17	20	21	20	21
J U	20	21	20	21	16	17	14	15	16	17	16	17	16	17	20	21
K L	11	12	16	17	11	12	05	06	11	12	11	12	11	12	12	14
P	12	14	14	15	12	14	05	06	11	12	11	12	12	14	12	14
S	12	14	16	17	12	14	06	10	12	14	12	14	12	14	12	14
T	11	12	16	17	06	10	06	10	11	12	11	12	11	12	12	14
V	06	10	14	15	11	12	06	10	12	14	12	14	12	14	12	14
Y	05	06	14	15	06	10	05	06	05	07	05	06	06	10	11	12
Z	16	17	22	24	16	17	12	14	16	17	16	17	16	17	20	21

Lower Case To Lower Case Spacing Chart 6 Inch Series "C & D"

SERIES	SECOND LETTER															
	acde		g h i j		k l m n		o p q r		s t		v y		x		z	
	C	D	C	D	C	D	C	D	C	D	C	D	C	D	C	D
ad h g i j	16	17	22	24	16	17	12	14	14	15	14	15	16	17	16	17
l m n q u																
b f k o p s	12	14	16	17	11	12	05	06	11	12	11	12	12	14	12	14
c e	12	14	16	17	12	14	06	10	12	14	12	14	12	14	12	14
r	06	10	12	14	06	10	03	03	05	06	05	06	06	10	06	10
t z	12	14	16	17	12	14	06	10	11	12	11	12	12	14	12	14
v y	11	12	14	15	11	12	05	06	06	10	06	10	11	12	11	12
w	11	12	14	15	11	12	05	06	11	12	11	12	11	12	12	14
x	12	14	16	17	11	12	05	06	11	12	11	12	11	12	12	14

Number To Number Spacing Chart 8 Inch Series "C & D"

SERIES	SECOND NUMBER																			
	0		1		2		3		4		5		6		7		8		9	
	C	D	C	D	C	D	C	D	C	D	C	D	C	D	C	D	C	D	C	D
0 9	16	17	16	17	14	15	12	14	14	15	14	15	16	17	12	14	16	17	16	17
1	20	21	20	21	20	21	16	17	14	15	20	21	20	21	14	15	20	21	20	21
2 3 4	14	15	14	15	14	15	12	14	14	15	14	15	11	12	16	17	14	15		
5	14	15	14	15	14	15	11	12	11	12	14	15	14	15	11	12	14	15	14	15
6	16	17	14	15	14	15	12	14	14	15	14	15	11	12	14	15	14	15		
7	12	14	12	14	14	15	12	14	14	15	14	15	11	12	14	15	12	14		
8	16	17	16	17	14	15	12	14	14	15	16	17	12	14	16	17	14	15		

EXAMPLE, 2³ DENOTES 3/8"

UPPER AND LOWER CASE LETTER WIDTHS

LETTERS	6 INCH UPPER CASE LETTERS				8 INCH UPPER CASE LETTERS				LETTERS	6 INCH LOWER CASE LETTERS	
	SERIES		SERIES		SERIES		SERIES			C	D
	C	D	C	D	C	D	C	D			
A	3 ⁶	5 ⁰	5 ⁰	6 ⁵	a	3 ⁵	4 ²				
B	3 ²	4 ⁰	4 ³	5 ³	b	3 ⁵	4 ²				
C	3 ²	4 ⁰	4 ³	5 ³	c	3 ⁵	4 ¹				
D	3 ²	4 ⁰	4 ³	5 ³	d	3 ⁵	4 ²				
E	3 ⁰	3 ⁵	4 ⁰	4 ⁷	e	3 ⁵	4 ²				
F	3 ⁰	3 ⁵	4 ⁰	4 ⁷	f	2 ³	2 ⁶				
G	3 ²	4 ⁰	4 ³	5 ³	g	3 ⁵	4 ²				
H	3 ²	4 ⁰	4 ³	5 ³	h	3 ⁵	4 ²				
I	0 ⁷	0 ⁷	1 ¹	1 ²	i	1 ¹	1 ¹				
J	3 ⁰	3 ⁶	4 ⁰	5 ⁰	j	2 ⁰	2 ²				
K	3 ²	4 ¹	4 ³	5 ⁴	k	3 ⁵	4 ²				
L	3 ⁰	3 ⁵	4 ⁰	4 ⁷	l	1 ¹	1 ¹				
M	3 ⁷	4 ⁵	5 ¹	6 ¹	m	6 ⁰	7 ⁰				
N	3 ²	4 ⁰	4 ³	5 ³	n	3 ⁵	4 ²				
O	3 ⁴	4 ²	4 ⁵	5 ⁵	o	3 ⁶	4 ³				
P	3 ²	4 ⁰	4 ³	5 ³	p	3 ⁵	4 ²				
Q	3 ⁴	4 ²	4 ⁵	5 ⁵	q	3 ⁵	4 ²				
R	3 ²	4 ⁰	4 ³	5 ³	r	2 ⁶	3 ²				
S	3 ²	4 ⁰	4 ³	5 ³	s	3 ⁶	4 ²				
T	3 ⁰	3 ⁵	4 ⁰	4 ⁷	t	2 ⁷	3 ²				
U	3 ²	4 ⁰	4 ³	5 ³	u	3 ⁵	4 ²				
V	3 ⁵	4 ⁴	4 ⁷	6 ⁰	v	4 ²	4 ⁷				
W	4 ⁴	5 ²	6 ⁰	7 ⁰	w	5 ⁵	6 ⁴				
X	3 ⁴	4 ⁰	4 ⁵	5 ³	x	4 ⁴	5 ¹				
Y	3 ⁶	5 ⁰	5 ⁰	6 ⁶	y	4 ⁶	5 ³				
Z	3 ²	4 ⁰	4 ³	5 ³	z	3 ⁶	4 ³				

NUMBER	6 INCH SERIES		8 INCH SERIES	
	C	D	C	D
1	1 ²	1 ⁴	1 ⁵	2 ⁰
2	3 ²	4 ⁰	4 ³	5 ³
3	3 ²	4 ⁰	4 ³	5 ³
4	3 ⁵	4 ³	4 ⁷	5 ⁷
5	3 ²	4 ⁰	4 ³	5 ³
6	3 ²	4 ⁰	4 ³	5 ³
7	3 ²	4 ⁰	4 ³	5 ³
8	3 ²	4 ⁰	4 ³	5 ³
9	3 ²	4 ⁰	4 ³	5 ³
0	3 ⁴	4 ²	4 ⁵	5 ⁵

FILE NAME =	USER NAME = bauerdl	DESIGNED - DAG/BCK	REVISED - DAG 10/28/09
or:\work\VP\WIDOT\BAUERDL\d0108315\ts02.dgn		DRAWN - BCK	REVISED -
		CHECKED - DAG/DAD	REVISED -
		DATE - 03-15-09	REVISED -

STATE OF ILLINOIS DEPARTMENT OF TRANSPORTATION

DISTRICT ONE
 MAST ARM MOUNTED STREET NAME SIGNS
 SCALE: NONE SHEET NO. 1 OF 1 SHEETS STA. TO STA.

F.A.U. RTE. 2678	SECTION 09-00171-00-CH	COUNTY DUPAGE	TOTAL SHEETS 85	SHEET NO. 45
TS-02			CONTRACT NO. 63610	
FED. ROAD DIST. NO. 1 ILLINOIS FED. AID PROJECT				