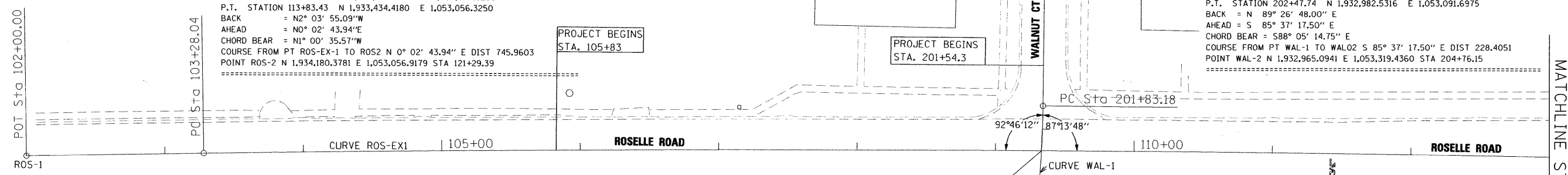


ROSELLE ROAD ALIGNMENT
 POINT ROS-1 N 1,932,251.2984 E 1,053,079.5393 STA 102+00.00
 COURSE FROM ROS1 TO PC ROS-EX-1 N 2° 03' 55.09" W DIST 128.0386

CURVE ROS-EX-1
 P.I. STATION 108+55.79 N 1,932,906.6646 E 1,053,055.9056
 DELTA = 2° 06' 39.03" (RT)
 DEGREE = 0° 12' 00.02"
 TANGENT = 527.7536
 LENGTH = 1,055.3878
 RADIUS = 28,646.9900
 EXTERNAL = 4.8609
 LONG CHORD = 1,055.3281
 MID. ORD. = 4.8601
 P.C. STATION 103+28.04 N 1,932,379.2538 E 1,053,074.9250
 P.T. STATION 113+83.43 N 1,933,434.4180 E 1,053,056.3250
 BACK = N2° 03' 55.09"W
 AHEAD = N0° 02' 43.94"E
 CHORD BEAR = N1° 00' 35.57"W
 COURSE FROM PT ROS-EX-1 TO ROS2 N 0° 02' 43.94" E DIST 745.9603
 POINT ROS-2 N 1,934,180.3781 E 1,053,056.9179 STA 121+29.39

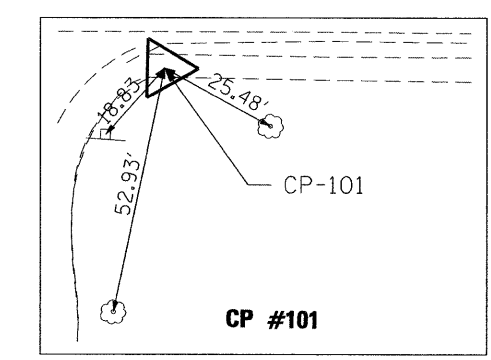
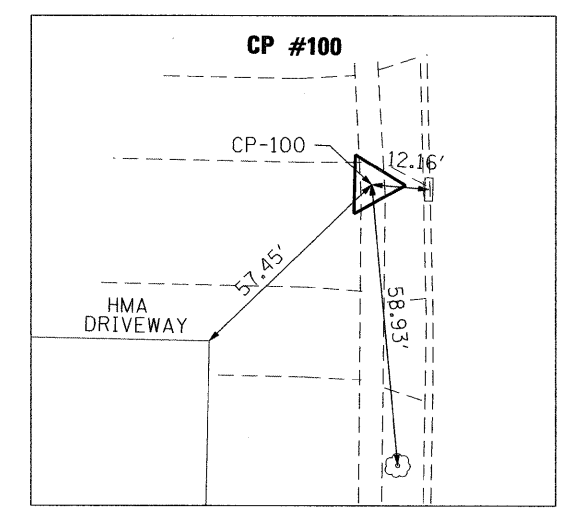
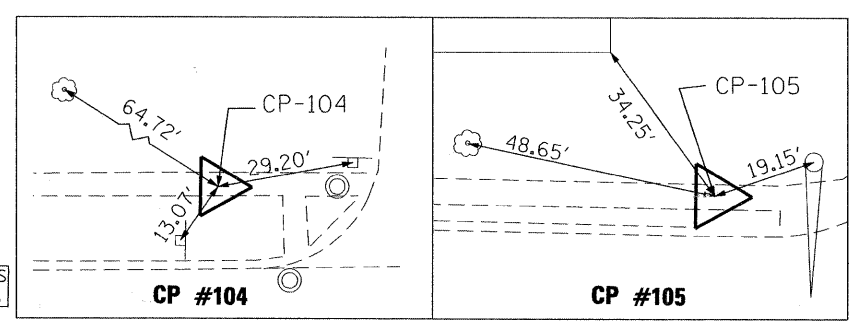
WALNUT STREET ALIGNMENT
 POINT WAL-1 N 1,932,982.9164 E 1,052,844.0215 STA 200+00.00
 COURSE FROM WAL01 TO PC WAL-1 N 89° 26' 48.00" E DIST 183.1832

CURVE WAL-1
 P.I. STATION 202+15.48 N 1,932,984.9974 E 1,053,059.4932
 DELTA = 4° 55' 54.50" (RT)
 DEGREE = 7° 38' 21.97"
 TANGENT = 32.2985
 LENGTH = 64.5572
 RADIUS = 750.0000
 EXTERNAL = 0.6951
 LONG CHORD = 64.5373
 MID. ORD. = 0.6945
 P.C. STATION 201+83.18 N 1,932,984.6855 E 1,053,027.1962
 P.T. STATION 202+47.74 N 1,932,982.5316 E 1,053,091.6975
 BACK = N 89° 26' 48.00" E
 AHEAD = S 85° 37' 17.50" E
 CHORD BEAR = S88° 05' 14.75" E
 COURSE FROM PT WAL-1 TO WAL02 S 85° 37' 17.50" E DIST 228.4051
 POINT WAL-2 N 1,932,965.0941 E 1,053,319.4360 STA 204+76.15



POINT	NORTHING	EASTING	STATION	ELEVATION	OFFSET	DESCRIPTION
CP-100	1,932,953.89	1,052,866.89	200+22.58	753.70	29.25 RT	CHISELED "X" ON SIDEWALK
CP-101	1,933,022.89	1,053,088.59	109+71.48	744.21	29.63 RT	CHISELED "X" ON SIDEWALK
CP-104	1,933,364.39	1,053,012.01	113+13.47	745.47	44.34 LT	CHISELED "X" ON SIDEWALK
CP-105	1,933,908.20	1,053,015.35	118+57.17	748.22	41.35 LT	CHISELED "X" ON SIDEWALK

DUPAGE COUNTY BENCHMARK
 BENCHMARK #B103001
 ELEVATION 747.7611 (NGVD 29)



FILE NAME : P:\2010\ME\0215.Roselle.DPCDOT\CADD\Shs\08-align-shr-Roselle.dgn
 USER NAME : Millennium Professional Services

MILLENNIA PROFESSIONAL SERVICES
 200 22ND Street, Suite 216, Lombard, IL 60148
 630.705.0110 voice, 630.839.2566 fax
 www.mps-il.com

DESIGNED - TVN	REVISED -
DRAWN - JP	REVISED -
CHECKED - TVN	REVISED -
DATE - 5/24/2011	REVISED -

**DUPAGE COUNTY
 DEPARTMENT OF TRANSPORTATION**

**ROSELLE RD. & WALNUT ST.
 ALIGNMENT, TIES AND BENCHMARKS**

SCALE: 1"=40' SHEET NO. 1 OF 1 SHEETS STA. 102+00 TO STA. 121+29.39

F.A.P. RTE.	SECTION	COUNTY	TOTAL SHEETS	SHEET NO.
364	07-00184-12-CH	DUPAGE	49	8
CONTRACT NO. 63611				

FED. ROAD DIST. NO. 1 ILLINOIS FED. AID PROJECT
 P:\2010\ME\0215.Roselle.DPCDOT\CADD\Shs\08-align-shr-Roselle.dgn