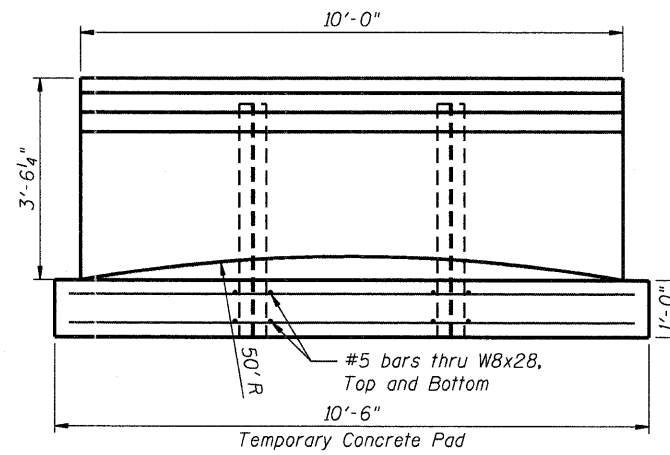


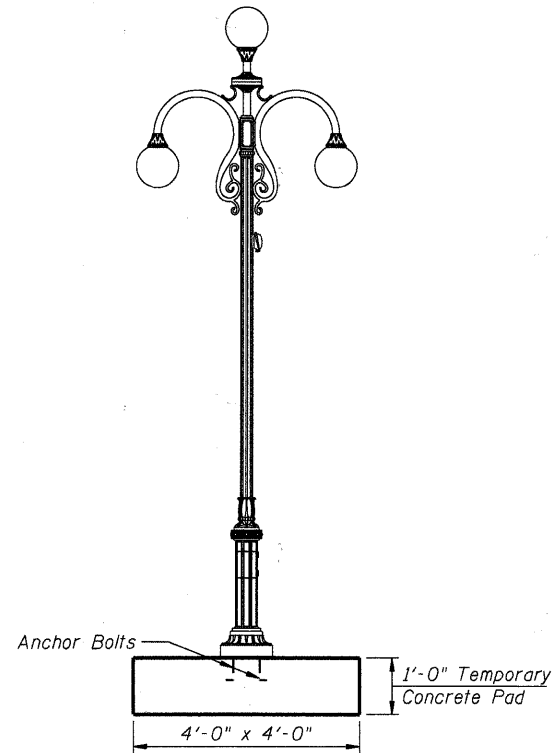
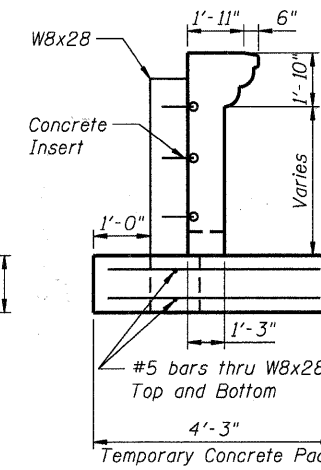
**MOCK-UP
CONCRETE BRIDGE RAILING**

See Sheets SW-14 and Special Provisions
for details and specifications



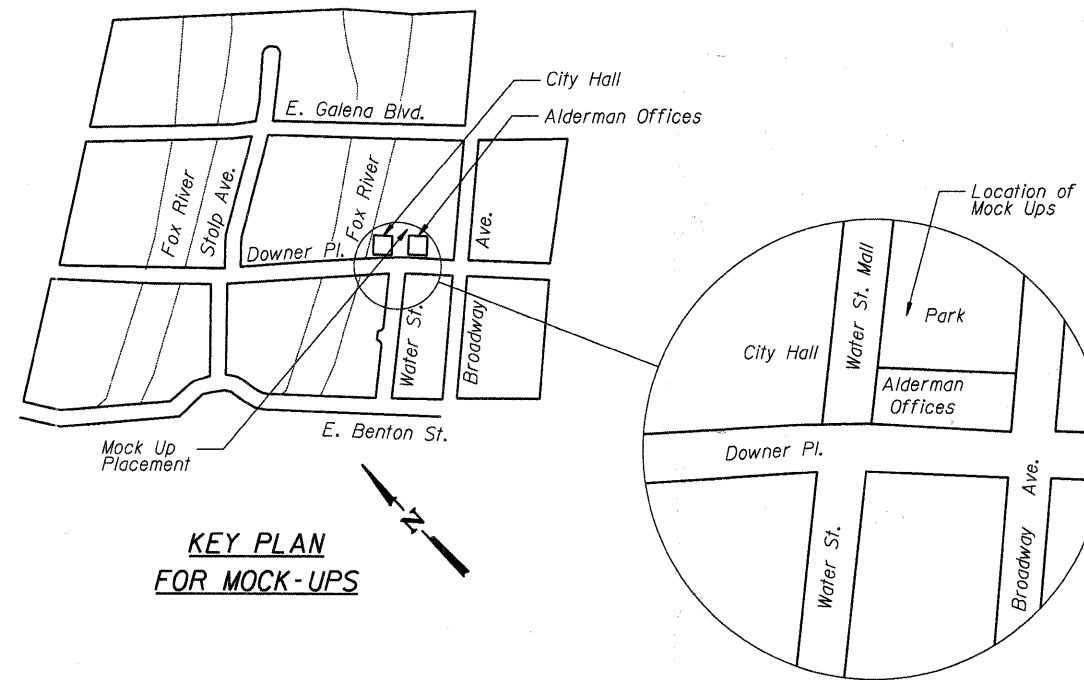
**MOCK-UP
PRECAST PANEL**

See Sheets SW-21 and Special Provisions
for details and specifications



**MOCK-UP
ORNAMENTAL LIGHT UNIT**

See Lighting Sheets and Special Provisions
for details and specifications



**KEY PLAN
FOR MOCK-UPS**

HRGREEN
COMPANY NAME: HRGreen
PROJECT CONTACT: Michael G. Harding
DATE PLOTTED: 7/26/2011 10:55:47 AM
FILE NAME: 86090472-mock-ups.dgn
PLOT DRIVERS: pdfplot
PEN TABLE: Struct 22x34.tbl



USER NAME = whood	DESIGNED - MGH	REVISED -
FILE NAME = 86090472-mock-ups.dgn	DRAWN - WJH	REVISED -
PLOT SCALE =	CHECKED - MGH	REVISED -
PLOT DATE = 7/26/2011	DATE - 7/26/11	REVISED -

CITY OF AURORA

**MOCK UPS
DOWNER PLACE**

SCALE: SHEET NO. 1 OF 1 SHEETS STA. TO STA.

F.A.U. RTE.	SECTION	COUNTY	TOTAL SHEETS	SHEET NO.
	07-00264-00-BR	KANE	164	6
CONTRACT NO. 63620				
FED. ROAD DIST. NO. ILLINOIS FED. AID PROJECT				